

IB18E344

Inductive sensors • Increased ambient temperature

Sensor inductive, M18x1 83long, flush, Sn: 5, 10-35V DC, -25-180°C, PNP NC, cable tail 5m PTFE, IP67, stainl. steel, ATEX

including Nut



Inductive proximity switches are contact-free sensors. They detect all conductive metals, regardless of whether they move or not. The achievable sensing range of the devices depends on the object material and its dimensions. The vibration-resistant sensors can be approached laterally or frontally. Inductive proximity switches are used for presence detection (e.g. goods carriers), positioning (e.g. dampers), counting (e.g. nuts /bolts), speed detection (e.g. for cog wheels), on conveyor systems (e.g. hose feedings) or distance measurements (e.g. press-in checking) of metallic objects.

Electrical features

Response/decay time	1.2 ms
Type of switching function	Normally closed contact (NC)
Type of electrical connection	Cable
Type of switching output	PNP
Rated switching current	150 mA
Readiness delay	5 ms
Relative hysteresis	15 %
Short-circuit protection	Yes
No-load current	15 mA
Relative repeat accuracy	3 %
Residual ripple	10 %
Switching distance	5 mm
Switching frequency	400 Hz
Voltage drop	2 V
Reverse polarity protection	Yes
Operating voltage (DC)	10 - 35 V

Mechanical features

Number of cores	3
Conductor cross-section	0.22 mm ²
Alignment of cable entry	axial
Design	Cylinder, screw-thread
Thread length	60 mm
Thread pitch	1 mm
Cable length	5 m
Cable infeed	axial
Length	83 mm
Mechanical mounting condition for sensor	flush
Degree of protection (IP)	IP67
Active area material of sensor	Plastic (Vectra®)
Housing material	Stainless steel 1.4305
Material of cable sheath	Plastic (PTFE)
Thread dimension	M18
Ambient temperature	-25 - 180 °C

Other features

Explosion safety category for dust	ATEX dust-ex-protection, Cat. 3D
Reference medium / object	Standard measuring plate FE360 18x18x1mm

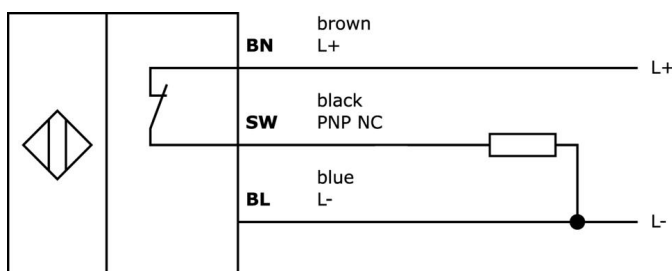
Classification

ETIM 8	EC002714 Inductive proximity switch
--------	-------------------------------------

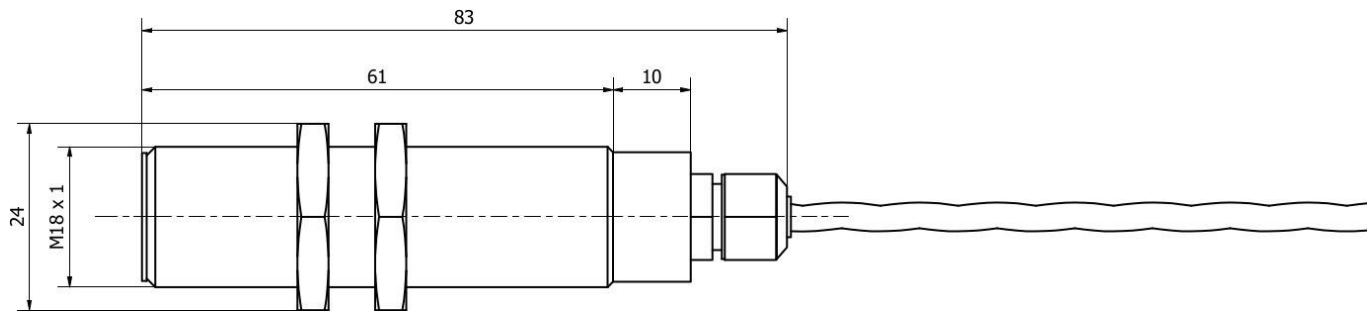
More

IPF Product Group	202 inductive sensors (high temperature)
packaging dimensions	149 x 124 x 35 mm
gross weight	198 g
Customs tariff number	85365019
WEEE number	40951076
ATEX-compliant	Yes
Reach-compliant	Yes
RoHS-compliant	Yes

Connection



Dimensional drawing



Extract accessories program

AY000117



accessories sensor, Fixture kit,
Metal, ball joint

AY000162



Accessories, magnetic, Ø43mm,
neodymium-iron-boron, inside
thread M5, rubber

AY000026



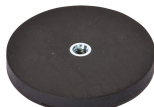
accessories, Hexagon nut, M18x1,
Wrench size 24mm, Brass Nickel-
plated

AY000038



accessories, Hexagon nut, M18x1,
Wrench size 24mm, Stainless steel

AY000129



Accessories, magnetic, Ø66mm,
neodymium-iron-boron, inside
thread M6, rubber

AY000144



accessories sensor, Adapter plate,
3x30x85mm, Stainless steel 1.
4305

AY000159



accessories sensor, Mounting
pipe, Ø12mm 200long, Aluminum
Anodised

AY000141



Plastic sheath, Ø17mm, Inner
diameter 10mm, -40-250°C, Glass
fiber with silicone rubber, Short-
term resistance to weld spatter
1200°C, Tensile strength 400N,
Flexible, Flame retardant, yard
good

You can find further accessories on our homepage



Installation

Mounting / installation may only be carried
out by a qualified electrician!



Disposal

WEEE number according to § 6 para. 3
ElektroG: 40951076

Safety warnings

/ Before initial operation, please make sure to follow all safety instructions that may be provided in the product information.

/ Never use these devices in applications where the safety of a person depends on their functionality.