

## IB30022W

### Inductive sensors • Increased ambient temperature

sensor inductive, M30x1.5 85long, Flush, Sn: 10, 10-35V DC, 0-150°C, PNP NC, Connector M12, IP65, Stainless steel 1.4305

including Nut



Inductive proximity switches are contact-free sensors. They detect all conductive metals, regardless of whether they move or not. The achievable sensing range of the devices depends on the object material and its dimensions. The vibration-resistant sensors can be approached laterally or frontally. Inductive proximity switches are used for presence detection (e.g. goods carriers), positioning (e.g. dampers), counting (e.g. nuts /bolts), speed detection (e.g. for cog wheels), on conveyor systems (e.g. hose feedings) or distance measurements (e.g. press-in checking) of metallic objects.

#### Electrical features

Response/decay time	2.5 ms
Type of switching function	Normally closed contact (NC)
Type of electrical connection	Connector M12
Type of switching output	PNP
Rated switching current	150 mA
Readiness delay	6 ms
Relative hysteresis	15 %
Correction factor (aluminum)	0.3
Correction factor (copper)	0.2
Correction factor (brass)	0.4
Correction factor (St37)	1
Correction factor (stainl. steel)	0.7
Short-circuit protection	Yes
No-load current	15 mA
Relative repeat accuracy	3 %
Residual ripple	10 %
Switching distance	10 mm
Switching frequency	200 Hz
Voltage drop	2 V
Reverse polarity protection	Yes
Operating voltage (DC)	10 - 35 V

**Mechanical features**

Alignment of cable entry	axial
Design	Cylinder, screw-thread
Thread length	61 mm
Thread pitch	1.5 mm
Cable infeed	axial
Length	85 mm
Mechanical mounting condition for sensor	flush
Degree of protection (IP)	IP65
Active area material of sensor	Plastic (Vectra®)
Housing material	Stainless steel 1.4305
Thread dimension	M30
Ambient temperature	0 - 150 °C

**Other features**

Reference medium / object	Standard measuring plate FE360 30x30x1mm
---------------------------	--

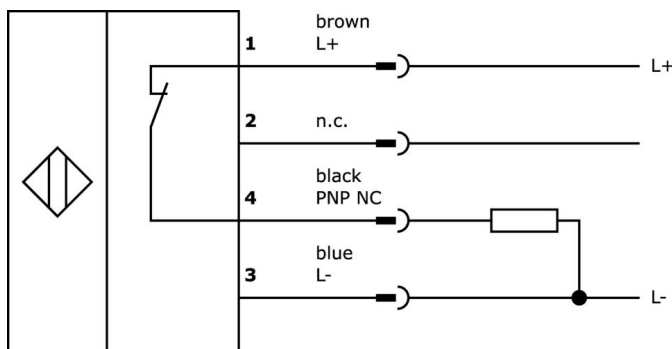
**Classification**

ETIM 8	EC002714 Inductive proximity switch
--------	-------------------------------------

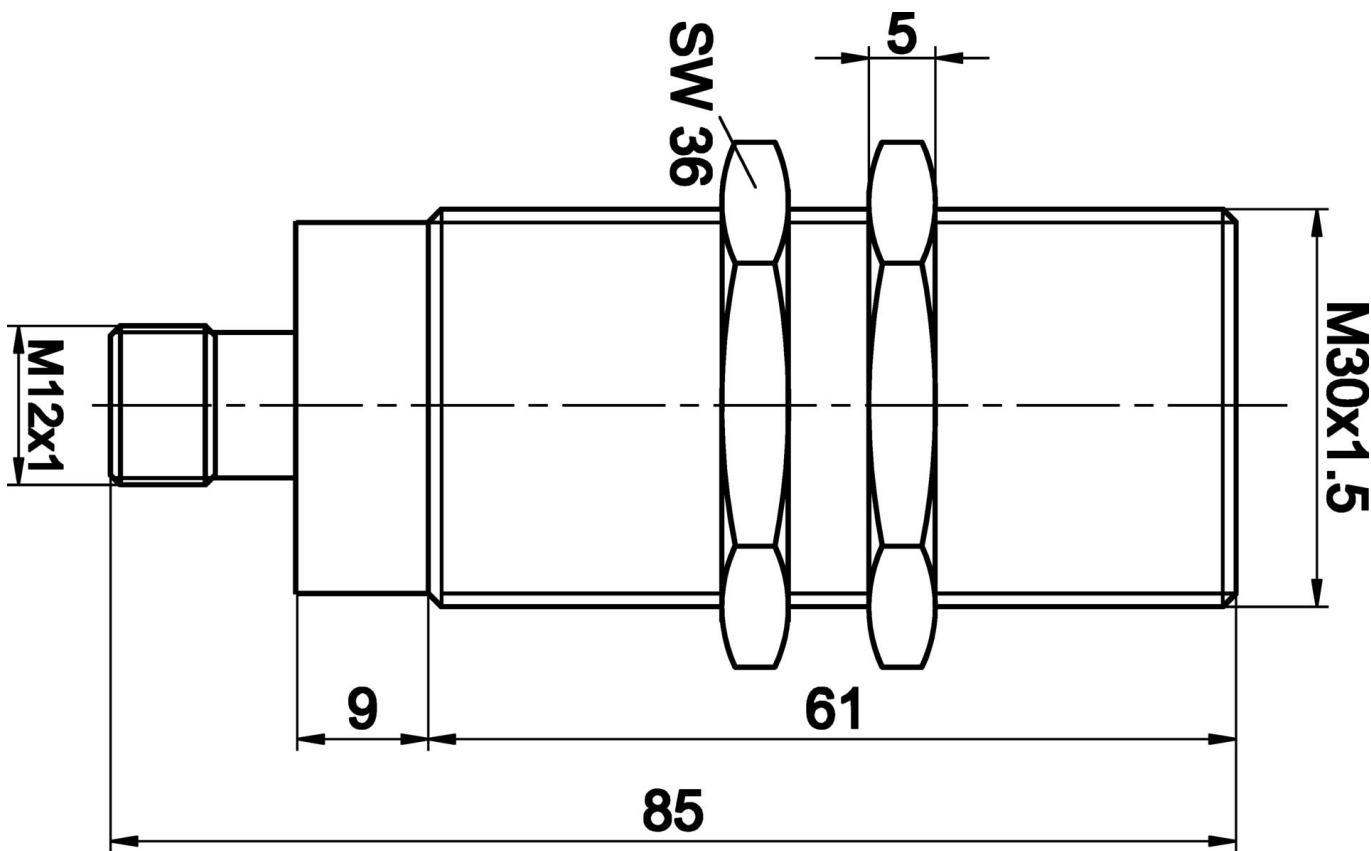
**More**

IPF Product Group	202 inductive sensors (high temperature)
packaging dimensions	105 x 43 x 43 mm
gross weight	170 g
Customs tariff number	85365019
WEEE number	40951076
Reach-compliant	Yes
RoHS-compliant	Yes

**Connection**



**Dimensional drawing**



**Extract accessories program**

**AY000027**



accessories, Hexagon nut, M30x1.5, Wrench size 36mm, Brass Nickel-plated

**AY000101**



accessories sensor, Mounting angle bracket, 58x28x58mm, Toothed washer for sensor, bracket, Stainless steel

**VKB0H321**



Connection cable, 20m, M12 socket 4-pin angular, free cable end, 4x0.34mm<sup>2</sup>, PTFE, 250V, -20-150°C, IP65, oils and cooling lubricants, welding area

**VK003524**



Cable socket, Straight, Suitable for self-assembly, Screw connection, -40-150°C, M12 Female (socket) 4pin

**AY000162**



Accessories, magnetic, Ø43mm, neodymium-iron-boron, inside thread M5, rubber

**AY000159**



accessories sensor, Mounting pipe, Ø12mm 200long, Aluminum Anodised

**AY000158**



accessories sensor, Clamp sleeve, M36x1.5 36long, Brass White bronze

**VY000004**



DC power supply, sensor tester, 120x26x72mm, 18V, 0.04A, Spring clamp connection 4pin, IP20, Plastic

**NG400501**



DC power supply, 1-phase, 125x114x40mm, 24-28V, 5A, 90-264V AC 50Hz, 90-264V AC 60Hz, 127-370V DC, screw connection, IP20, aluminum, stabilized, pulsed output voltage

You can find further accessories on our homepage

**Installation**

Mounting / installation may only be carried out by a qualified electrician!

**Disposal**

WEEE number according to § 6 para. 3  
ElektroG: 40951076

**Safety warnings**

- / Before initial operation, please make sure to follow all safety instructions that may be provided in the product information.
- / Never use these devices in applications where the safety of a person depends on their functionality.