

## IB3004K0

### Inductive sensors • atmospheric-change resistant

sensor inductive, M30x1.5 100long, Flush, Sn: 10, 10-30V DC, -25-120°C, PNP Anticoincidence, Cable 2m FEP, IP69K, V4A

including Nut



Inductive proximity switches are contact-free sensors. They detect all conductive metals, regardless of whether they move or not. The achievable sensing range of the devices depends on the object material and its dimensions. The vibration-resistant sensors can be approached laterally or frontally. Inductive proximity switches are used for presence detection (e.g. goods carriers), positioning (e.g. dampers), counting (e.g. nuts /bolts), speed detection (e.g. for cog wheels), on conveyor systems (e.g. hose feedings) or distance measurements (e.g. press-in checking) of metallic objects.

#### Electrical features

Display	LED display
Type of switching function	Exclusive-OR
Type of electrical connection	Cable
Type of switching output	PNP
Rated switching current	200 mA
Relative hysteresis	10 %
Short-circuit protection	Yes
No-load current	4 mA
Relative repeat accuracy	3 %
Switching distance	10 mm
Switching frequency	1000 Hz
Voltage drop	2 V
Reverse polarity protection	Yes
Operating voltage (DC)	10 - 30 V

**Mechanical features**

Number of cores	4
Conductor cross-section	0.25 mm <sup>2</sup>
Alignment of cable entry	axial
Design	Cylinder, screw-thread
Pressure resistance	10 bar
Thread length	65 mm
Thread pitch	1.5 mm
Cable length	2 m
Cable infeed	axial
Length	100 mm
Mechanical mounting condition for sensor	flush
Degree of protection (IP)	IP69K
Active area material of sensor	Plastic (PTFE)
Housing material	Stainless steel 1.4571
Material of cable sheath	Plastic (FEP)
Atmospheric-change resistant (temperature cycle)	Yes
Thread dimension	M30
Ambient temperature	-25 - 120 °C

**Other features**

Oil and cooling lubricants	Yes
Reference medium / object	Standard measuring plate FE360 30x30x1mm

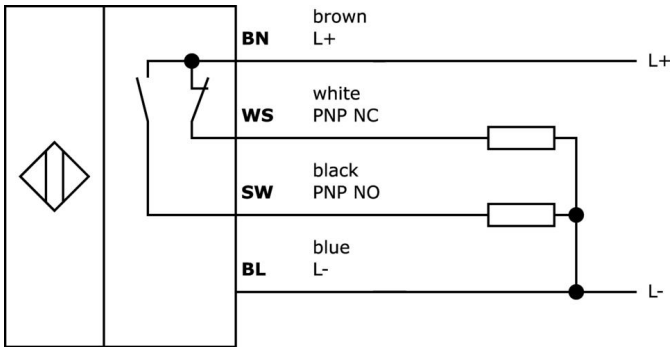
**Classification**

ETIM 8	EC002714 Inductive proximity switch
--------	-------------------------------------

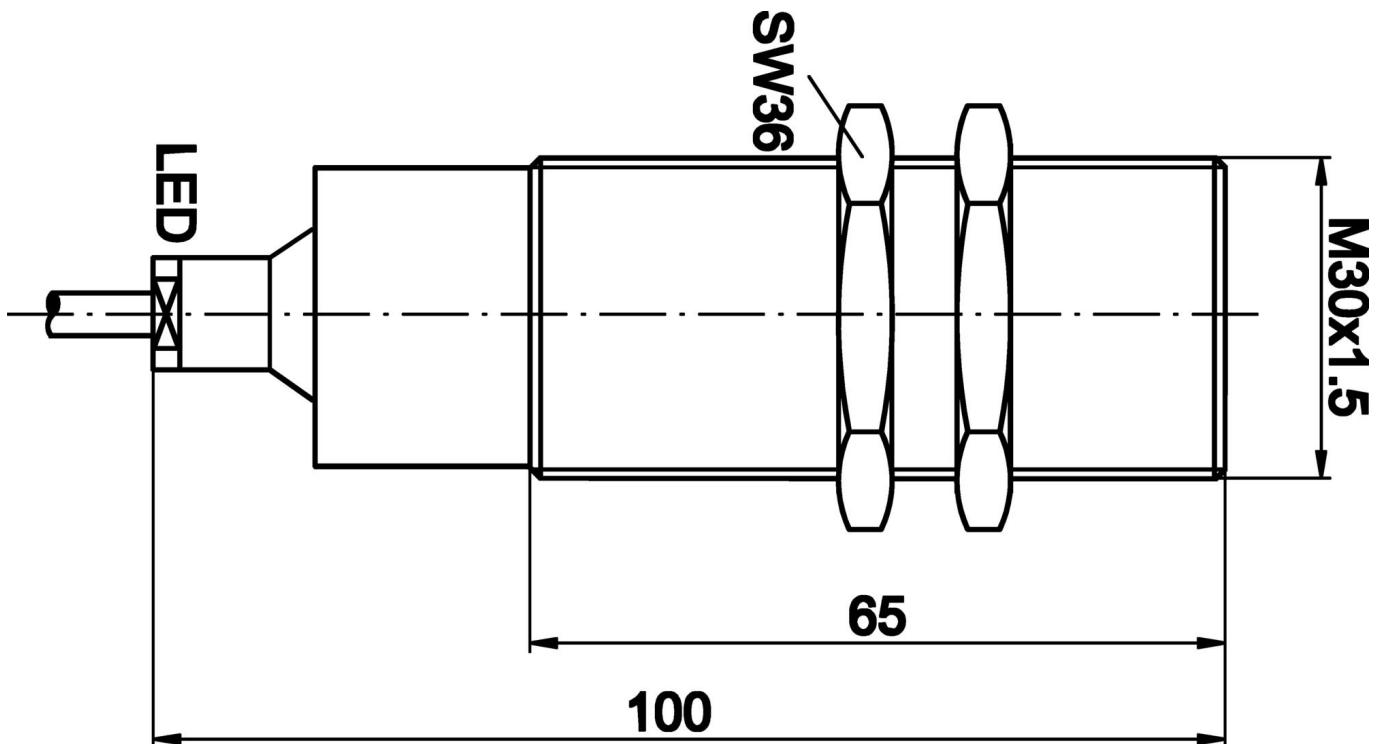
**More**

IPF Product Group	212 inductive sensors (unaffected by atmospheric changes)
packaging dimensions	149 x 124 x 35 mm
gross weight	327 g
Customs tariff number	85365019
WEEE number	40951076
Reach-compliant	Yes
RoHS-compliant	Yes

**Connection**



**Dimensional drawing**



**Extract accessories program**

**AY000162**



Accessories, magnetic, Ø43mm, neodymium-iron-boron, inside thread M5, rubber

**AY000159**



accessories sensor, Mounting pipe, Ø12mm 200long, Aluminum Anodised

**NG530002**



DC power supply, single-phase, 99x114x22mm, 24V, 0.1A, Number of relay outputs 2, 100-264V AC 50Hz, 100-264V AC 60Hz, Screw connection, IP20, Plastic, Stabilized, Output voltage, pulsed

**VY000004**



DC power supply, sensor tester, 120x26x72mm, 18V, 0.04A, Spring clamp connection 4pin, IP20, Plastic

**AY000141**



Plastic sheath, Ø17mm, Inner diameter 10mm, -40-250°C, Glass fiber with silicone rubber, Short-term resistance to weld spatter 1200°C, Tensile strength 400N, Flexible, Flame retardant, yard good

**AY000158**



accessories sensor, Clamp sleeve, M36x1.5 36long, Brass White bronze

**VL250100**



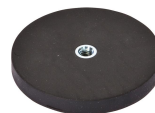
Logic module, 49x80x26mm, AND, 4fold, 10-35V DC, sensor side Clamp, control side Clamp, IP40, Plastic

**VL250120**



Logic module, 49x80x26mm, OR, 4fold, 10-35V DC, sensor side Clamp, control side Clamp, IP40, Plastic

**AY000129**



Accessories, magnetic, Ø66mm, neodymium-iron-boron, inside thread M6, rubber

You can find further accessories on our homepage



**Installation**

Mounting / installation may only be carried out by a qualified electrician!



**Disposal**

WEEE number according to § 6 para. 3 ElektroG: 40951076

**Safety warnings**

/ Before initial operation, please make sure to follow all safety instructions that may be provided in the product information.

/ Never use these devices in applications where the safety of a person depends on their functionality.