

IB506050

Inductive sensors • Increased ambient temperature

Sensor inductive, M50x1.5 51long, flush, Sn: 20, 0-230°C, connection to amplifier, M12 connector 3m PTFE, IP50, VA

including Nut



Inductive proximity switches are contactless sensors. They detect all conductive metals, regardless of whether they are moving or not. The switching distance that the devices can achieve depends on the object material and its dimensions. The vibration-resistant sensors can be approached laterally or from the front. Inductive proximity switches are used for presence detection (e.g. goods carriers), positioning (e.g. oven flaps), counting (e.g. nuts / screws), speed detection (e.g. on gear wheels), on conveyor systems (e.g. hose feeds) or distance measurement (e.g. press-fit inspection) of metallic objects.

Electrical features

Type of switching function	externer Verstärker
Type of electrical connection	Cable connector M12
Relative hysteresis	15 %
Switching distance	20 mm
Switching frequency	150 Hz

Mechanical features

Alignment of cable entry	axial
Design	Cylinder, screw-thread
Thread length	41 mm
Thread pitch	1.5 mm
Cable length	3 m
Cable infeed	axial
Length	51 mm
Mechanical mounting condition for sensor	flush
Degree of protection (IP)	IP50
Active area material of sensor	Plastic (Vectra®)
Housing material	Stainless steel 1.4305
Material of cable sheath	Plastic (PTFE)
Thread dimension	M50
Ambient temperature	0 - 230 °C

Other features

Reference medium / object	Standard measuring plate FE360 50x50x1mm
---------------------------	--

Classification

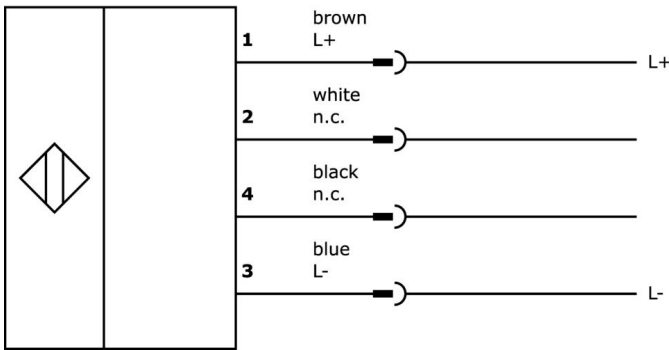
ETIM 8	EC002714 Inductive proximity switch
--------	-------------------------------------

More

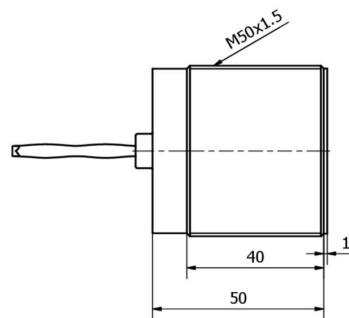
IPF Product Group	202 inductive sensors (high temperature)
packaging dimensions	210 x 138 x 95 mm
gross weight	390 g
Customs tariff number	85365019
WEEE number	40951076
Reach-compliant	Yes
RoHS-compliant	Yes

Connection

Connection to amplifier



Dimensional drawing



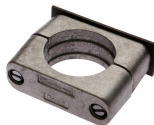
Extract accessories program

AY000141



Plastic sheath, Ø17mm, Inner diameter 10mm, -40-250°C, Glass fiber with silicone rubber, Short-term resistance to weld spatter 1200°C, Tensile strength 400N, Flexible, Flame retardant, yard good

AY000102



accessories sensor, Ø50mm, aluminum, for sensor M50, for wall mounting, screw mounting

AY000140



accessories sensor, Ø50mm, Steel, For sensor M50, for Wall mounting, Screw mounting

IV120450



amplifier inductive, high-temperature, M12x1 55long, 10-35V DC, NO/NC, M12 plug-in connection 4pin 2m PUR (polyurethane), IP65, V2A, with LED display

IV400720



amplifier inductive, High-temperature, 42x86x40mm, 10-30V DC, PNP Normally open/ normally closed, Plug-in connection M12 4pin, IP65, Aluminum, With LED display

You can find further accessories on our homepage



Installation

Mounting / installation may only be carried out by a qualified electrician!



Disposal

WEEE number according to § 6 para. 3 ElektroG: 40951076

Safety warnings

- / Before initial operation, please make sure to follow all safety instructions that may be provided in the product information.
- / Never use these devices in applications where the safety of a person depends on their functionality.