

IBR30176

Inductive sensors • Increased switching distance

Sensor inductive, Ø3mm 22long, flush, Sn: 1, 10-30V DC, PNP NO, IO-Link, M8 cable connector 3-pin 0.15m, IP67, V2A



Inductive proximity switches are contactless sensors. They detect all conductive metals, regardless of whether they are moving or not. The switching distance that the devices can achieve depends on the object material and its dimensions. The vibration-resistant sensors can be approached laterally or from the front. Inductive proximity switches are used for presence detection (e.g. goods carriers), positioning (e.g. oven flaps), counting (e.g. nuts / screws), speed detection (e.g. on gear wheels), on conveyor systems (e.g. hose feeds) or distance measurement (e.g. press-fit inspection) of metallic objects.

Electrical features

Display	LED display
Type of switching function	Normally open contact (NO)
Type of electrical connection	Cable connector M8
Type of switching output	PNP
Rated switching current	100 mA
Relative hysteresis	10 %
Correction factor (aluminum)	0.5
Correction factor (copper)	0.45
Correction factor (brass)	0.6
Correction factor (St37)	1
Correction factor (stainl. steel)	0.8
No-load current	10 mA
Number of pins	3
Relative repeat accuracy	2 %
Switching distance	1 mm
Switching frequency	3000 Hz
Voltage drop	2 V
Supported communication interface	IO-Link
Operating voltage (DC)	10 - 30 V
ardSOCA_ElektrischerAnschluss	Cable connector M8 3-pin 0.15m
ardSOCA_Betriebsspannung	10-30VDC
ardTEEL_Schutzfunktionen	Reverse polarity protection Short circuit protection

Mechanical features

Alignment of cable entry	axial
Design	Cylinder plain
Diameter	3 mm
Cable length	0.15 m
Cable infeed	axial
Length	22 mm
Mechanical mounting condition for sensor	flush
Degree of protection (IP)	IP67
Active area material of sensor	Plastic (PCB)
Housing material	Stainless steel 1.4301
Ambient temperature	-25 - 70 °C
ardSOCA_Abmessungen	Ø3mm, 22mm long

Other features

IO-Link version	V1.0.1
Reference medium / object	Standard measuring plate FE360 3x3x1mm

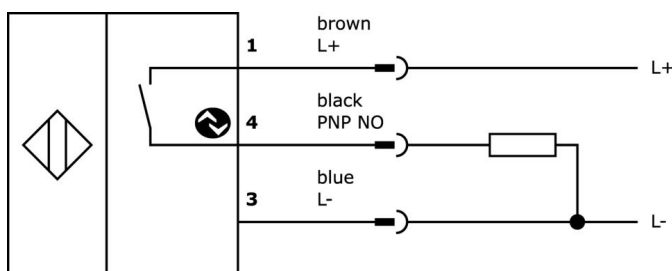
Classification

ETIM 8	EC002714 Inductive proximity switch
--------	-------------------------------------

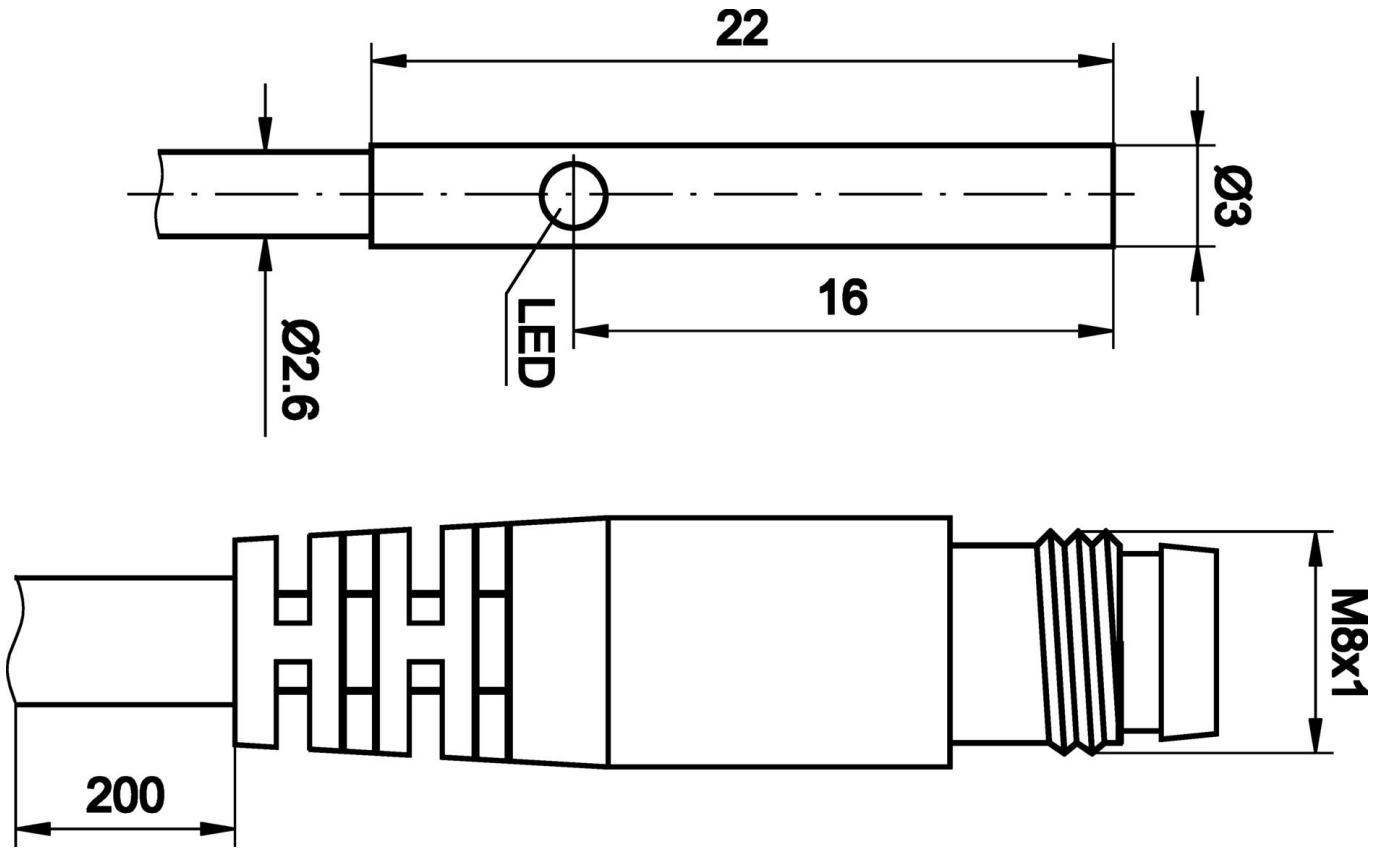
More

IPF Product Group	201 inductive sensors (plus / super plus)
packaging dimensions	215 x 180 x 9 mm
gross weight	10 g
Customs tariff number	85365019
WEEE number	40951076
Reach-compliant	Yes
RoHS-compliant	Yes

Connection



Dimensional drawing



Extract accessories program

VY000005



IO-Link master, 41x24x67mm, IO-Link, M12, With USB interface

NG530002



DC power supply, single-phase, 99x114x22mm, 24V, 0.1A, Number of relay outputs 2, 100-264V AC 50Hz, 100-264V AC 60Hz, Screw connection, IP20, Plastic, Stabilized, Output voltage, pulsed

VK000038



Adaption, M8 Female (socket) 3pin Straight, M8 Male (connector) 4pin Straight, 24V, -25-85°C, IP67, Oil and cooling lubricants, Welding area

VK000036



Adaption, M8 Female (socket) 3pin Straight, M12 Male (connector) 3pin Straight, 24V, -25-85°C, IP67, Oil and cooling lubricants, Welding area

VY000004



DC power supply, sensor tester, 120x26x72mm, 18V, 0.04A, Spring clamp connection 4pin, IP20, Plastic

NG400501



DC power supply, 1-phase, 125x114x40mm, 24-28V, 5A, 90-264V AC 50Hz, 90-264V AC 60Hz, 127-370V DC, screw connection, IP20, aluminum, stabilized, pulsed output voltage

AY000141



Plastic sheath, Ø17mm, Inner diameter 10mm, -40-250°C, Glass fiber with silicone rubber, Short-term resistance to weld spatter 1200°C, Tensile strength 400N, Flexible, Flame retardant, yard good

VK200071



Connection cable, 2m, M8 socket 3-pin angular, free cable end, 3x0.34mm², PUR (polyurethane), Ø4.3mm, 60V, -40-90°C, IP67, TPU, suitable for trailing chain and torsion resistant, oils and cooling lubricants, welding area, silicone-free

VK200075



Connection cable, 2m, M8 socket 3-pin straight, free cable end, 3x0.34mm², PUR (polyurethane), Ø4.3mm, 60V, -30-90°C, IP67, suitable for trailing chain and torsion resistant, oils and cooling lubricants, welding area, silicone-free

You can find further accessories on our homepage

**Installation**

Mounting / installation may only be carried out by a qualified electrician!

**Disposal**

WEEE number according to § 6 para. 3
ElektroG: 40951076

Safety warnings

- / Before initial operation, please make sure to follow all safety instructions that may be provided in the product information.
- / Never use these devices in applications where the safety of a person depends on their functionality.
- / Any software, drivers or IOOD files that may be required to operate your device can be downloaded free of charge from our homepage: www.ipf-electronic.com