

## IN32E332

### Inductive sensors • Increased ambient temperature

Sensor inductive, M32x1.5 83.5long, non-flush, Sn: 13, 0-230°C, connection to amplifier, lemo connector, IP67, stainl. steel



Inductive proximity switches are contactless sensors. They detect all conductive metals, regardless of whether they are moving or not. The switching distance that the devices can achieve depends on the object material and its dimensions. The vibration-resistant sensors can be approached laterally or from the front. Inductive proximity switches are used for presence detection (e.g. goods carriers), positioning (e.g. oven flaps), counting (e.g. nuts / screws), speed detection (e.g. on gear wheels), on conveyor systems (e.g. hose feeds) or distance measurement (e.g. press-fit inspection) of metallic objects.

#### Electrical features

Type of electrical connection	Lemo plug connector
Relative hysteresis	20 %
Switching distance	13 mm
Switching frequency	200 Hz
Connection to amplifier	Yes

#### Mechanical features

Alignment of cable entry	axial
Design	Cylinder, screw-thread
Thread length	45 mm
Thread pitch	1.5 mm
Length	83.5 mm
Mechanical mounting condition for sensor	non-flush
Degree of protection (IP)	IP67
Active area material of sensor	Plastic (Vectra®)
Housing material	Stainless steel 1.4305
Thread dimension	M32
Ambient temperature	0 - 230 °C

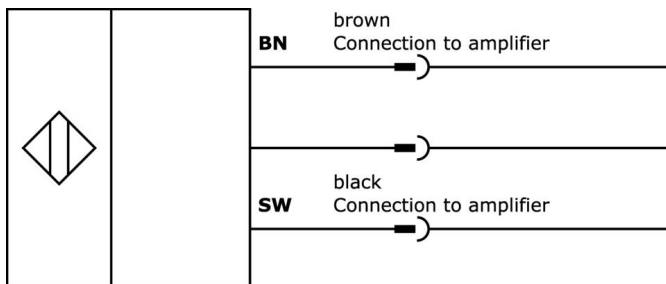
#### Classification

ETIM 8	EC002714 Inductive proximity switch
--------	-------------------------------------

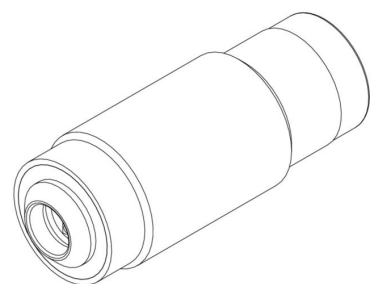
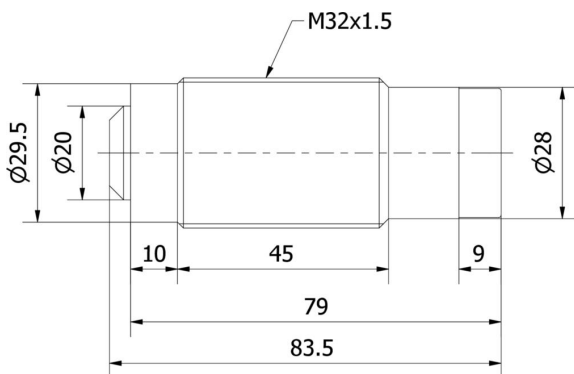
**More**

IPF Product Group	202 inductive sensors (high temperature)
packaging dimensions	157 x 97 x 58 mm
gross weight	320 g
Customs tariff number	85365019
WEEE number	40951076
Reach-compliant	Yes
RoHS-compliant	Yes

**Connection**



**Dimensional drawing**



---

**Extract accessories program****VKC0E333**

Connection cable, 30m, Female (socket) 2pin Straight, Free conductor end, 2x0.25mm<sup>2</sup>, Polytetrafluorethylene (PTFE), Shielded

**IV991196**

Amplifier inductive, high temperature, 75x99x22mm, 10-35V DC, PNP NO, terminal, IP20, plastic, LED

You can find further accessories on our homepage

**Installation**

Mounting / installation may only be carried out by a qualified electrician!

**Disposal**

WEEE number according to § 6 para. 3  
ElektroG: 40951076

---

**Safety warnings**

- / Before initial operation, please make sure to follow all safety instructions that may be provided in the product information.
- / Never use these devices in applications where the safety of a person depends on their functionality.