

## IV98E142

### Inductive sensors • Switching amplifiers

amplifier inductive, 122x100x22mm, 24V DC, Change-over contact (NO/NC), Clamp, IP40, Plastic, ATEX, With LED display



Inductive proximity switches are contact-free sensors. They detect all conductive metals, regardless of whether they move or not. The achievable sensing range of the devices depends on the object material and its dimensions. The vibration-resistant sensors can be approached laterally or frontally. Inductive proximity switches are used for presence detection (e.g. goods carriers), positioning (e.g. dampers), counting (e.g. nuts /bolts), speed detection (e.g. for cog wheels), on conveyor systems (e.g. hose feedings) or distance measurements (e.g. press-in checking) of metallic objects.

#### Electrical features

Number of channels	1
Number of contacts as change-over contact	1
Display	LED display
Type of switching function	Change-over contact (NO/NC)
Type of electrical connection	Clamped terminal connection
Rated switching current	4000 mA
Input voltage tolerance	10 %
Switching voltage	250 V
Switching voltage AC	230 V
Switching voltage DC	24 V
Max. outer inductivity	5 mH
Max. outer capacity	0.84 µF
Operating voltage (DC)	24 V
Inherently safe according to EN 60947-5-6 NAMUR	Yes
Amplifier for inductive sensors	Yes

#### Mechanical features

Design	Cuboid
Width	22.5 mm
Height	122 mm
Length	100 mm
Mounting method	Top hat rail
Degree of protection (IP)	IP40
Housing material	Plastic
Ambient temperature	-20 - 60 °C

**Other features**

ATEX product marking, gas	Ex II (1)G [Ex ia Ga] IIC
ATEX product marking, dust	Ex II (1)D [Ex ia Ga] IIIC

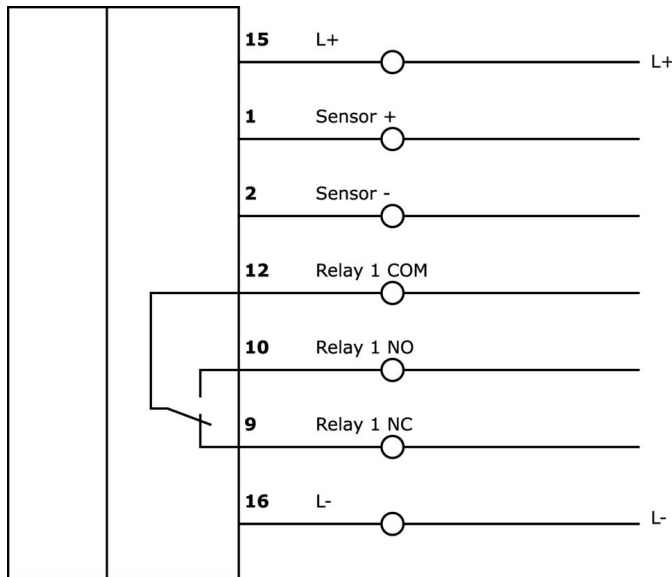
**Classification**

ETIM 8	EC001485 Isolation amplifier
--------	------------------------------

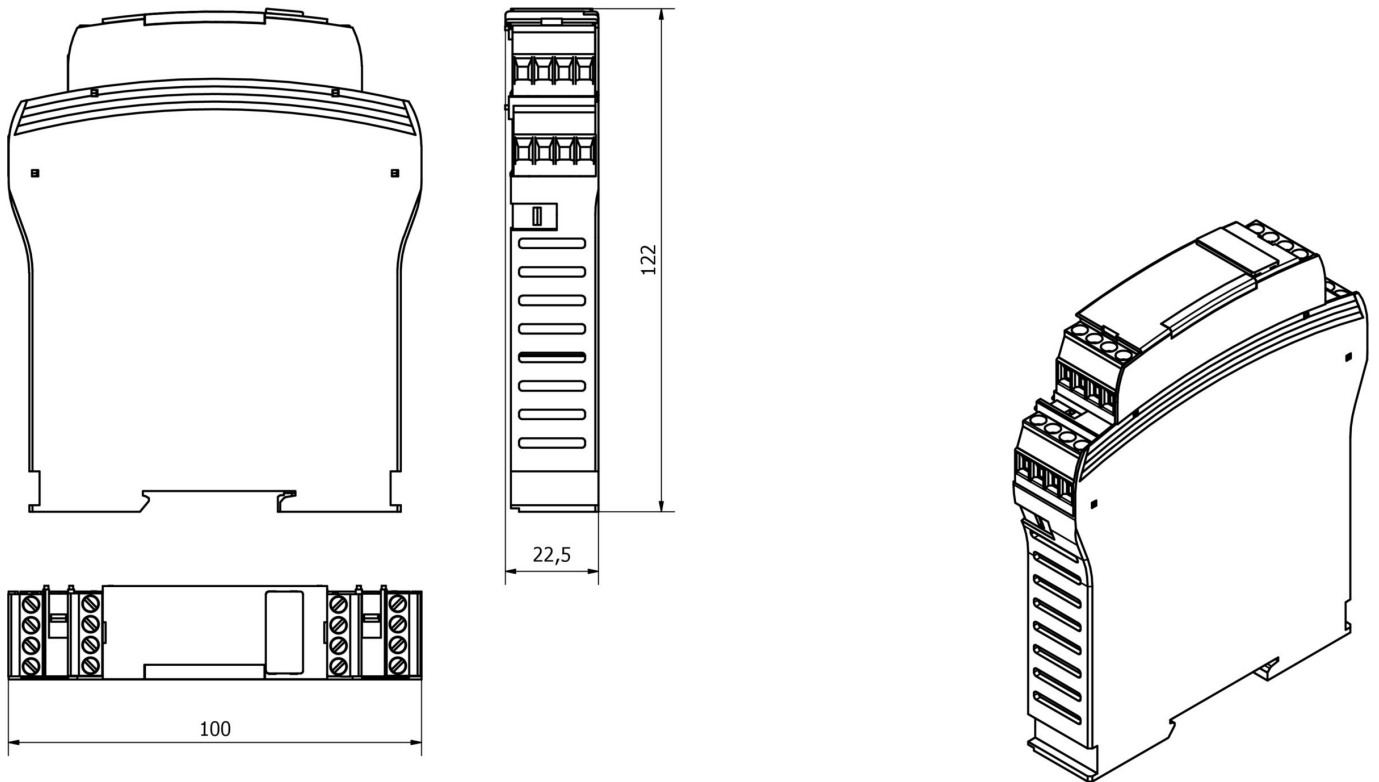
**More**

IPF Product Group	202 inductive sensors (high temperature)
packaging dimensions	210 x 138 x 95 mm
gross weight	183 g
Customs tariff number	85365019
WEEE number	40951076
ATEX-compliant	Yes
Reach-compliant	Yes
RoHS-compliant	Yes

**Connection**



**Dimensional drawing**



**Installation**

Mounting / installation may only be carried out by a qualified electrician!



**Disposal**

WEEE number according to § 6 para. 3  
ElektroG: 40951076

**Safety warnings**

- / Before initial operation, please make sure to follow all safety instructions that may be provided in the product information.
- / Never use these devices in applications where the safety of a person depends on their functionality.