

IY300520

Inductive sensors • Ring sensors

Sensor inductive, 20x79x44mm, ring 30.1, 10-30V DC, push-pull NC/NO, M12 plug-in connector 4-pin, IP67, polyamide, static/dynamic

- / Static - dynamic switchable**
- / LED display**
- / plastic housing**
- / M12-connector 4-pole**



IO-Link interface Push-pull switching output

Inductive proximity switches are contactless sensors. They detect all conductive metals, regardless of whether they are moving or not. The switching distance that the devices can achieve depends on the object material and its dimensions. The vibration-resistant sensors can be approached laterally or from the front. Inductive proximity switches are used for presence detection (e.g. goods carriers), positioning (e.g. oven flaps), counting (e.g. nuts / screws), speed detection (e.g. on gear wheels), on conveyor systems (e.g. hose feeds) or distance measurement (e.g. press-fit inspection) of metallic objects.

Electrical features

Display	LED display
Type of switching function	Normally closed contact/normally open contact
Type of electrical connection	Connector M12
Type of switching output	Push-pull
Rated switching current	100 mA
Readiness delay	300 ms
Setting procedure	Parameterization Potentiometer
No-load current	30 mA
Max. parts speed	35 m/s
Min. speed	0.1 m/s
Number of pins	4
Switching behavior of the output	Static and dynamic
Voltage drop	2 V
Operating voltage (DC)	10 - 30 V
Output functions	Switching point Switching behavior (static/dynamic) Static (factory settings)
ardTEEL_Schutzfunktionen	Reverse polarity protection Short circuit protection

Mechanical features

Design	Cuboid
Width	44 mm
Height	20 mm
Length	78.5 mm
Ring diameter	30.1 mm
Degree of protection (IP)	IP67
Active area material of sensor	Plastic (POM)
Housing material	Polyamide PA
Ambient temperature	-25 - 70 °C

Optical features

Resolution, dynamic	1.8 mm
Resolution, static	4 mm

Other features

Relative air humidity (non-condensing)	0 - 95 %
IO-Link version	V1.1.3
Reference medium / object	Steel ball

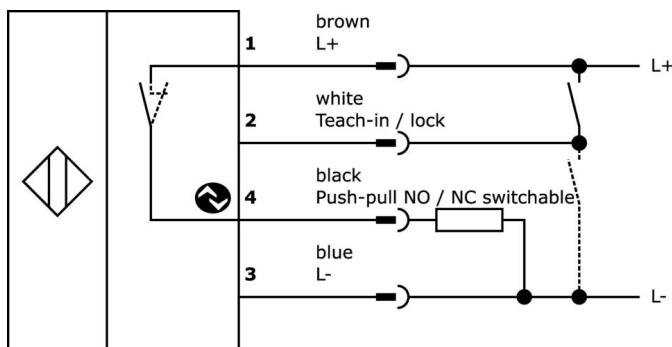
Classification

ETIM 8

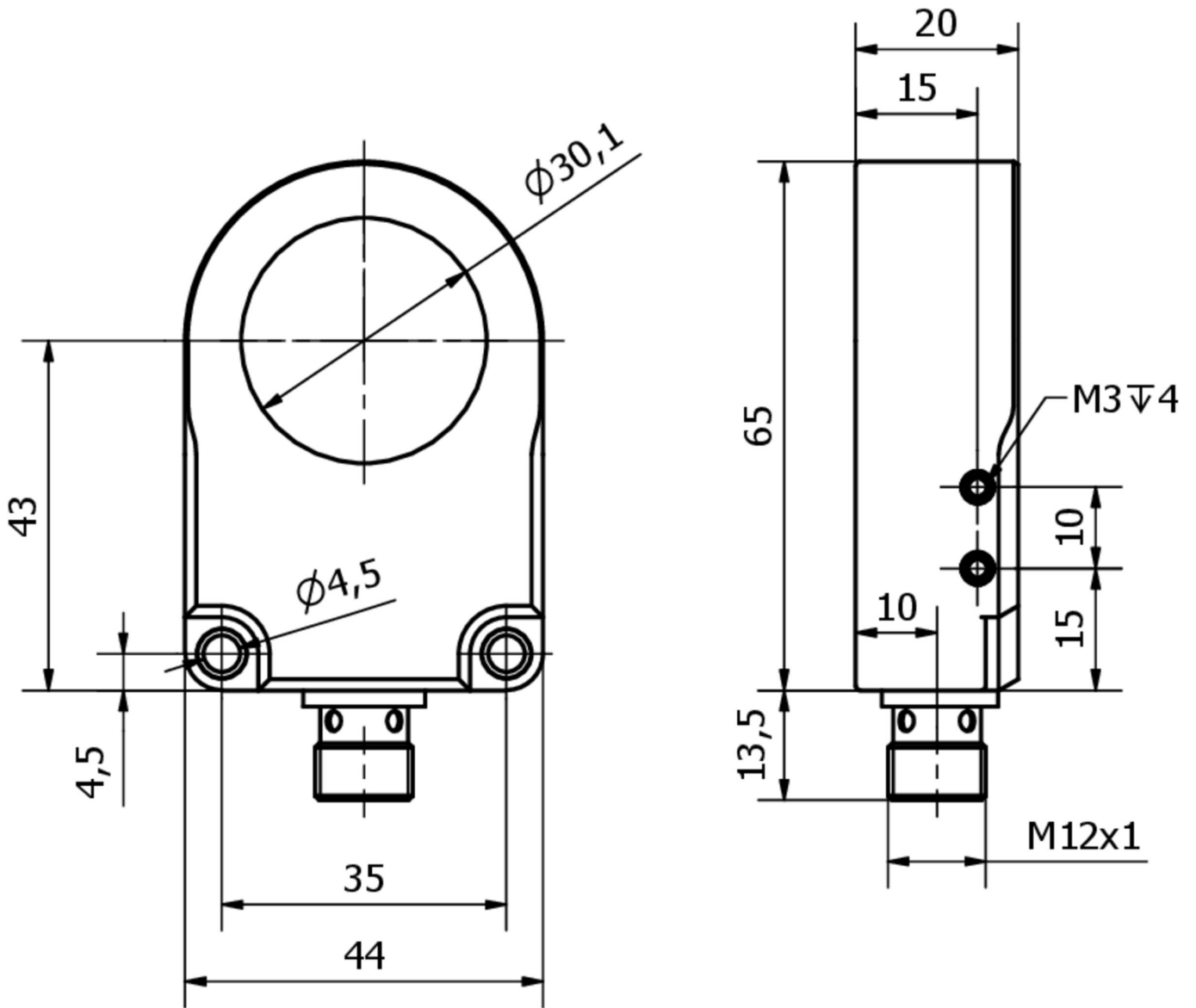
More

IPF Product Group	211 inductive sensors (ring/hose)
packaging dimensions	153 x 153 x 25 mm
gross weight	64 g
Customs tariff number	85365019
WEEE number	40951076
POP-compliant	Yes
Reach-compliant	Yes
RoHS-compliant	Yes

Connection



Dimensional drawing



Extract accessories program

VK200321



Connection cable, 2m, M12
Female (socket) 4pin Angular, Free conductor end, 4x0.34mm², PUR (Polyurethane), Ø4.7mm, 250V, -40-90°C, IP67, Suitable for trailing chain and torsion resistant, Oil and cooling lubricants, Welding area, Silicone-free

VK200325



Connection cable, 2m, M12
Female (socket) 4pin Straight, Free conductor end, 4x0.34mm², PUR (Polyurethane), Ø4.7mm, 250V, -40-90°C, IP67, Suitable for trailing chain and torsion resistant, Oil and cooling lubricants, Welding area, Silicone-free

VK003020



Cable socket, angular, self-assembly, screw connection, Ø3-6.5mm, 4A, 240V, -25-90°C, M12 socket 4-pin, IP67, PBT

VK003024



Cable socket, Straight, Suitable for self-assembly, Screw connection, Ø3-6.5mm, 4A, 240V, -25-90°C, M12 Female (socket) 4pin, IP67, PBT

AY000181



accessories sensor, mounting bracket, for attaching a hose to inductive ring sensors IY06 to IY25

You can find further accessories on our homepage



Installation

Mounting / installation may only be carried out by a qualified electrician!



Disposal

WEEE number according to § 6 para. 3
ElektroG: 40951076

Safety warnings

/ Before initial operation, please make sure to follow all safety instructions that may be provided in the product information.

/ Never use these devices in applications where the safety of a person depends on their functionality.

/ Any software, drivers or IODD files that may be required to operate your device can be downloaded free of charge from our homepage: www.ipf-electronic.com