

IY630120

Inductive sensors • Ring sensors

sensor inductive, 120mm long, ring 63, 10-30V DC, PNP NO, Connector M12, Plastic ABS, Static



Inductive proximity switches are contact-free sensors. They detect all conductive metals, regardless of whether they move or not. The achievable sensing range of the devices depends on the object material and its dimensions. The vibration-resistant sensors can be approached laterally or frontally. Inductive proximity switches are used for presence detection (e.g. goods carriers), positioning (e.g. dampers), counting (e.g. nuts /bolts), speed detection (e.g. for cog wheels), on conveyor systems (e.g. hose feedings) or distance measurements (e.g. press-in checking) of metallic objects.

Electrical features

Display	LED display
Resolution	12 mm
Type of switching function	Normally open contact (NO)
Type of electrical connection	Connector M12
Type of switching output	PNP
Rated switching current	200 mA
Short-circuit protection	Yes
Switching behavior of the output	Static
Reverse polarity protection	Yes
Operating voltage (DC)	10 - 30 V

Mechanical features

Design	Ring-shaped
Length	120 mm
Mechanical mounting condition for sensor	non-flush
Ring diameter	63 mm
Active area material of sensor	Plastic (ABS)
Housing material	Plastic (ABS)
Ambient temperature	-25 - 70 °C

Other features

Feeding technology	Yes
--------------------	-----

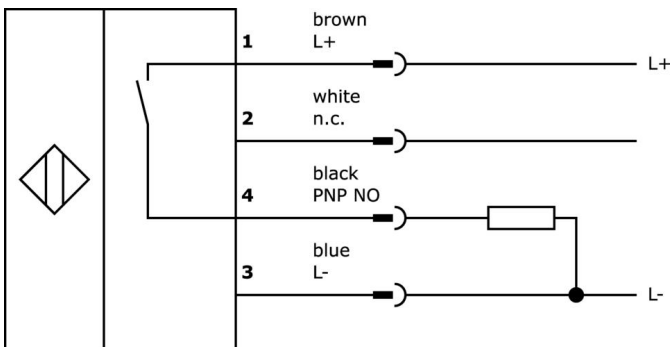
Classification

ETIM 8	EC002714 Inductive proximity switch
--------	-------------------------------------

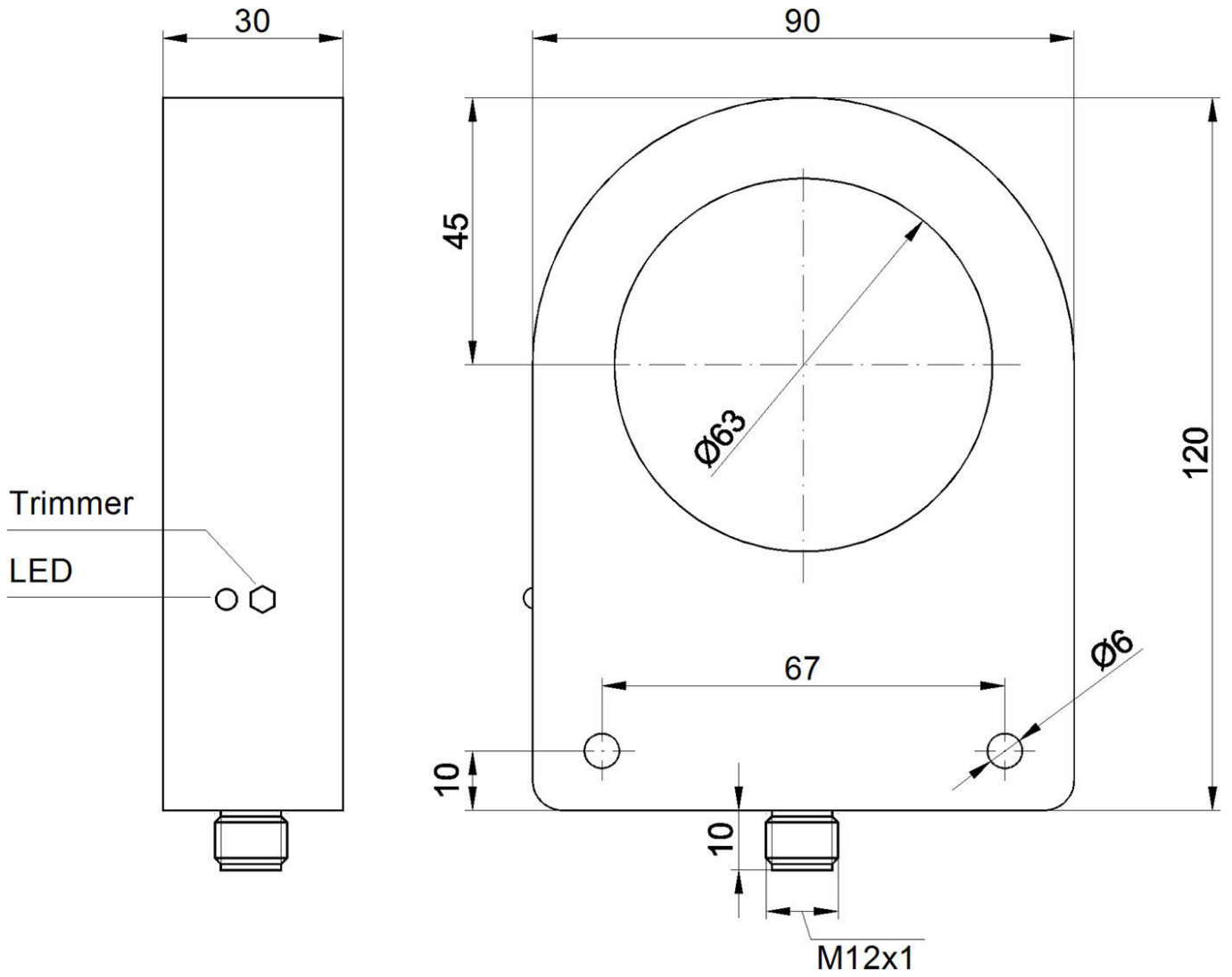
More

IPF Product Group	211 inductive sensors (ring/hose)
packaging dimensions	149 x 124 x 35 mm
gross weight	260 g
Customs tariff number	85365019
WEEE number	40951076
Reach-compliant	Yes
RoHS-compliant	Yes

Connection



Dimensional drawing



Extract accessories program

VK000041



Adaption, M12 Female (socket)
4pin Straight, M8 Male
(connector) 4pin Straight, 24V, -
25-85°C, IP67, Oil and cooling
lubricants, Welding area

VK000037



Adaption, M12 Female (socket)
3pin Straight, M8 Male
(connector) 3pin Straight, 24V, -
25-85°C, IP67, Oil and cooling
lubricants, Welding area

NG400501



DC power supply, 1-phase,
125x114x40mm, 24-28V, 5A, 90-
264V AC 50Hz, 90-264V AC 60Hz,
127-370V DC, screw connection,
IP20, aluminum, stabilized, pulsed
output voltage

VK200021



Connection cable, 2m, M12
Female (socket) 3pin Angular, Free
conductor end, 3x0.34mm², PUR
(Polyurethane), Ø4.3mm, 250V, -
30-90°C, IP67, Suitable for trailing
chain and torsion resistant, Oil and
cooling lubricants, Welding area,
Silicone-free

VK200025



Connection cable, 2m, M12
Female (socket) 3pin Straight, Free
conductor end, 3x0.34mm², PUR
(Polyurethane), Ø4.3mm, 250V, -
30-90°C, IP67, Suitable for trailing
chain and torsion resistant, Oil and
cooling lubricants, Welding area,
Silicone-free

VK003020



Cable socket, angular, self-
assembly, screw connection, Ø3-6.
5mm, 4A, 240V, -25-90°C, M12
socket 4-pin, IP67, PBT

VK003024



Cable socket, Straight, Suitable for
self-assembly, Screw connection,
Ø3-6.5mm, 4A, 240V, -25-90°C,
M12 Female (socket) 4pin, IP67,
PBT

VK003021



Cable socket, Angular, Suitable for
self-assembly, Screw connection,
Ø3-6.5mm, 4A, 60V, -25-90°C,
M12 Female (socket) 5pin, IP67,
PBT

VK003025



Cable socket, Straight, Suitable for
self-assembly, Screw connection,
Ø3-6.5mm, 4A, 60V, -25-90°C,
M12 Female (socket) 5pin, IP67,
PBT

You can find further accessories on our homepage



Installation

Mounting / installation may only be carried
out by a qualified electrician!



Disposal

WEEE number according to § 6 para. 3
ElektroG: 40951076

Safety warnings

/ Before initial operation, please make sure to follow all safety instructions that may be provided in the product information.

/ Never use these devices in applications where the safety of a person depends on their functionality.