

# KB32C501

## Capacitive sensors • Norm switching distance

sensor capacitive, M32x1.5 70long, Flush, Sn: 0.5-30, 10-35V DC, 1x PNP  
 Anticoincidence, Cable PUR (Polyurethane), IP67, Polytetrafluorethylene (PTFE), LED

including Nut, Screwdriver



Capacitive proximity switches are contact-free sensors. They detect metallic and non-metallic objects, regardless of whether they move or not. The achievable sensing range of the devices depends on the object material, its dimensions and the response sensitivity, which is set via a potentiometer. The vibration-resistant sensors can be approached laterally or frontally. Capacitive proximity switches are used for presence detection (e.g. sealing detection), positioning (e.g. PET bottles), counting (e.g. plastic caps), level detection (e.g. lubricant) or distance measurements (e.g. thickness measurement) of solid and liquid materials.

### Electrical features

Number of switching outputs	1
Display	LED display
Type of switching function	Exclusive-OR
Type of electrical connection	Cable
Type of switching output	PNP
Rated switching current	250 mA
Short-circuit protection	Yes
No-load current	15 mA
Switching distance	0,5 - 30 mm
Switching frequency	200 Hz
Voltage drop	2 V
Reverse polarity protection	Yes
Operating voltage (DC)	10 - 35 V

### Mechanical features

Number of cores	4
Conductor cross-section	0.5 mm <sup>2</sup>
Design	Cylinder, screw-thread
Thread pitch	1.5 mm
Length	70 mm
Mechanical mounting condition for sensor	flush
Degree of protection (IP)	IP67
Housing material	Polytetrafluorethylene (PTFE)
Material of cable sheath	Plastic (PUR)
Thread dimension	M32
Ambient temperature	-25 - 70 °C

**Other features**

Reference medium / object ardTE00_Anwendungen	Material with permittivity $\epsilon_r=81$ Niveauabfrage
--	---

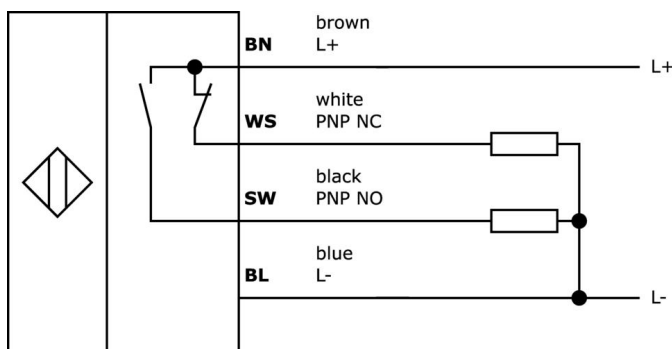
**Classification**

ETIM 8	EC002715 Capacitive proximity switch
--------	--------------------------------------

**More**

IPF Product Group	243 capacitive sensors (diverse)
packaging dimensions	149 x 124 x 35 mm
gross weight	263 g
Customs tariff number	85365019
WEEE number	40951076
Reach-compliant	Yes
RoHS-compliant	Yes

**Connection**



**Extract accessories program**

**VY000004**



DC power supply, sensor tester,  
120x26x72mm, 18V, 0.04A, Spring  
clamp connection 4pin, IP20,  
Plastic

**NG530002**



DC power supply, single-phase,  
99x114x22mm, 24V, 0.1A,  
Number of relay outputs 2, 100-  
264V AC 50Hz, 100-264V AC 60Hz,  
Screw connection, IP20, Plastic,  
Stabilized, Output voltage, pulsed

You can find further accessories on our homepage



**Installation**

Mounting / installation may only be carried out by a qualified electrician!



**Disposal**

WEEE number according to § 6 para. 3  
ElektroG: 40951076

**Safety warnings**

- / Before initial operation, please make sure to follow all safety instructions that may be provided in the product information.
- / Never use these devices in applications where the safety of a person depends on their functionality.