

## KN32A504

### Capacitive sensors • Increased ambient temperature

Sensor capacitive, M32x1.5 70long, non-flush, Sn: 1-40, 10-35V DC, -25-100°C, 2x PNP exclusive-OR, cable tail 5m PUR (polyurethane), IP67, PTFE, LED

including Screwdriver



Capacitive proximity switches are contact-free sensors. They detect metallic and non-metallic objects, regardless of whether they move or not. The achievable sensing range of the devices depends on the object material, its dimensions and the response sensitivity, which is set via a potentiometer. The vibration-resistant sensors can be approached laterally or frontally. Capacitive proximity switches are used for presence detection (e.g. sealing detection), positioning (e.g. PET bottles), counting (e.g. plastic caps), level detection (e.g. lubricant) or distance measurements (e.g. thickness measurement) of solid and liquid materials.

#### Electrical features

Number of switching outputs	2
Display	LED display
Type of switching function	Exclusive-OR
Type of electrical connection	Cable
Type of switching output	PNP
Rated switching current	250 mA
Short-circuit protection	Yes
No-load current	15 mA
Switching distance	1 - 40 mm
Switching frequency	50 Hz
Voltage drop	2 V
Reverse polarity protection	Yes
Operating voltage (DC)	10 - 35 V

**Mechanical features**

Number of cores	4
Conductor cross-section	0.5 mm <sup>2</sup>
Design	Cylinder, screw-thread
Thread pitch	1.5 mm
Cable length	5 m
Length	70 mm
Mechanical mounting condition for sensor	non-flush
Degree of protection (IP)	IP67
Housing material	Polytetrafluorethylene (PTFE)
Material of cable sheath	Plastic (PUR)
Thread dimension	M32
Ambient temperature	-25 - 100 °C

**Other features**

Reference medium / object	Material with permittivity $\epsilon_r=81$
ardTE00_Anwendungen	Niveauabfrage

**Classification**

ETIM 8	EC002715 Capacitive proximity switch
--------	--------------------------------------

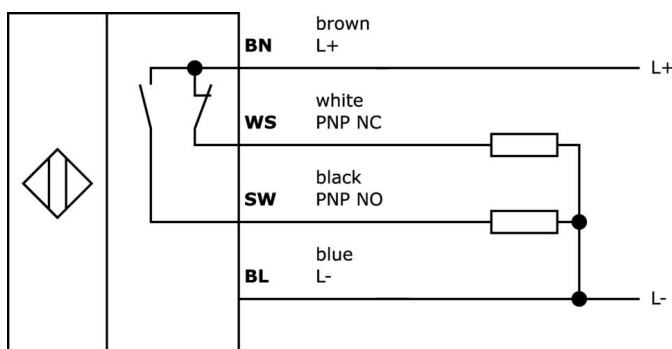
**More**

IPF Product Group	242 capacitive sensors (high temperature)
packaging dimensions	210 x 138 x 95 mm
gross weight	513 g
Customs tariff number	85365019
WEEE number	40951076
Reach-compliant	Yes
RoHS-compliant	Yes

**Important notes**

*/* The potentiometer is located behind the coverage.

**Connection**



**Extract accessories program****AY000141**

Plastic sheath, Ø17mm, Inner diameter 10mm, -40-250°C, Glass fiber with silicone rubber, Short-term resistance to weld spatter 1200°C, Tensile strength 400N, Flexible, Flame retardant, yard good

**NG530002**

DC power supply, single-phase, 99x114x22mm, 24V, 0.1A, Number of relay outputs 2, 100-264V AC 50Hz, 100-264V AC 60Hz, Screw connection, IP20, Plastic, Stabilized, Output voltage, pulsed

**VY000004**

DC power supply, sensor tester, 120x26x72mm, 18V, 0.04A, Spring clamp connection 4pin, IP20, Plastic

You can find further accessories on our homepage

**Installation**

Mounting / installation may only be carried out by a qualified electrician!

**Disposal**

WEEE number according to § 6 para. 3 ElektroG: 40951076

**Safety warnings**

- / Before initial operation, please make sure to follow all safety instructions that may be provided in the product information.
- / Never use these devices in applications where the safety of a person depends on their functionality.