

KY180120

Push button for integration • Capacitive

Sensor capacitive, push buttons, M18x1, Ø 22/28.5mm, 30 long, 10-35V DC, -40-60°C, PNP, NO, static, M12 cable connector 5-pin, IP67, stainl. steel/plastic PC, LED red/green

including Nut

- / Ring LED red/green separately controllable
- / Switching output static
- / M12 cable connector, 5-pole



capacitive diffuse reflection sensor triggered by touch

This diffuse-reflection sensor is a manual actuating element that can be easily installed in mounting holes with a diameter of 22.05mm and can thus also be replaced by existing mechanical sensors. The integrated thread (M18x1) and the supplied nut are used for fastening. The housing is made of stainless steel (1.4305), the actuating surface is made of polycarbonate. The diffuse-reflection sensor is classified according to the degree of protection IP67, the outer surfaces even correspond to the degree of protection IP69k, if the installation is carried out with suitable sealings. When the push button is touched with a finger, the switching output becomes active, as soon as the push button is released, the switching output returns to its original status. The device is equipped with two ring LEDs (red / green), which can be controlled separately.

Electrical features

Display	LED display
Type of switching function	Normally open contact (NO)
Type of electrical connection	Cable connector M12
Type of switching output	PNP
Rated switching current	200 mA
Short-circuit protection	Yes
No-load current	50 mA
Number of pins	5
Switching behavior of the output	Static
Reverse polarity protection	Yes
Operating voltage (DC)	10 - 35 V

Mechanical features

Design	Round
Thread length	14.85 mm
Thread pitch	1 mm
Cable length	0.3 m
Hole diameter	22.5 mm
Length	29.35 mm
Maximum tightening torque	1 Nm
Mounting method	Counter thread
Degree of protection (IP)	IP67
Active area material of sensor	Plastic (PC)
Housing material	Stainless steel 1.4305
Thread dimension	M18
Ambient temperature	-40 - 60 °C

Other features

With front ring	Yes
-----------------	-----

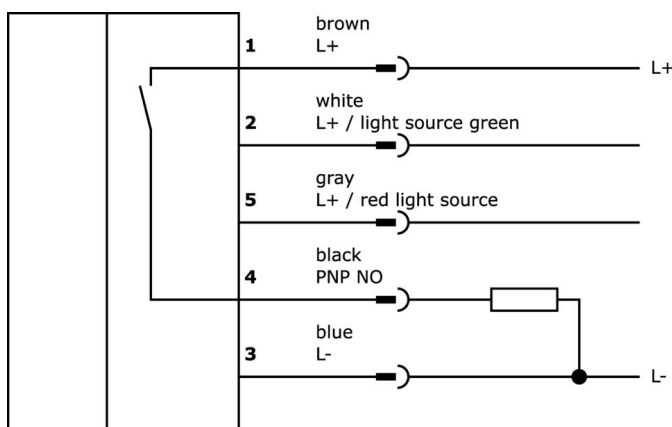
Classification

ETIM 8

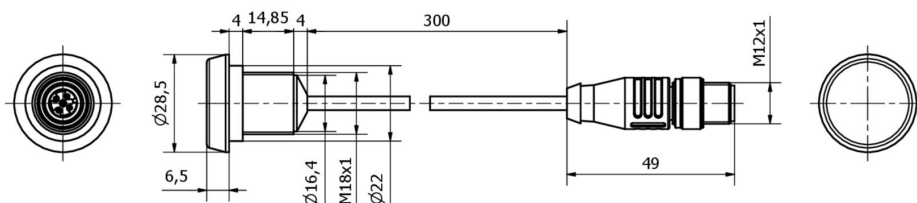
More

IPF Product Group	690 diverse sensors
packaging dimensions	105 x 43 x 43 mm
gross weight	79 g
Customs tariff number	85365019
WEEE number	40951076
Reach-compliant	Yes
RoHS-compliant	Yes

Connection




Dimensional drawing




Extract accessories program

VK205621




Connection cable, 2m, M12 Female (socket) 5pin Angular, Free conductor end, 5x0.34mm², PUR (Polyurethane), Ø6mm, 60V, -25-90°C, IP67, Shielded, Suitable for trailing chain and torsion resistant, Oil and cooling lubricants, Welding area, Silicone-free

VK205625




Connection cable, 2m, M12 Female (socket) 5pin Straight, Free conductor end, 5x0.34mm², PUR (Polyurethane), Ø6mm, 60V, -25-90°C, IP67, Shielded, Suitable for trailing chain and torsion resistant, Oil and cooling lubricants, Welding area, Silicone-...

VK003021



Cable socket, Angular, Suitable for self-assembly, Screw connection, Ø3-6.5mm, 4A, 60V, -25-90°C, M12 Female (socket) 5pin, IP67, PBT

VK003025



Cable socket, Straight, Suitable for self-assembly, Screw connection, Ø3-6.5mm, 4A, 60V, -25-90°C, M12 Female (socket) 5pin, IP67, PBT

You can find further accessories on our homepage



Installation

Mounting / installation may only be carried out by a qualified electrician!



Disposal

WEEE number according to § 6 para. 3 ElektroG: 40951076

Safety warnings

- / Before initial operation, please make sure to follow all safety instructions that may be provided in the product information.
- / Never use these devices in applications where the safety of a person depends on their functionality.