

KY98E021

Diffuse-reflections sensor for integration • Capacitive

Sensor capacitive, pushbutton, 59mm, symbol "hand", 10-30V DC, -30-70°C, PNP NO, cable with connector 4pole 0.2m, IP67, plastic anodized/anodized, LED



Capacitive proximity switches are contact-free sensors. They detect metallic and non-metallic objects, regardless of whether they move or not. The achievable sensing range of the devices depends on the object material, its dimensions and the response sensitivity, which is set via a potentiometer. The vibration-resistant sensors can be approached laterally or frontally. Capacitive proximity switches are used for presence detection (e.g. sealing detection), positioning (e.g. PET bottles), counting (e.g. plastic caps), level detection (e.g. lubricant) or distance measurements (e.g. thickness measurement) of solid and liquid materials.

Electrical features

Display	LED display
Type of switching function	Normally open contact (NO)
Type of electrical connection	Cable connector
Type of switching output	PNP
Rated switching current	400mA
Short-circuit protection	Yes
No-load current	30mA
Number of pins	4
Voltage drop	3V
Reverse polarity protection	Yes
Operating voltage (DC)	10 - 30V

Mechanical features

Design	Round
Cable length	0.2m
Hole diameter	59mm
Maximum tightening torque	1Nm
Mounting method	Counter thread
Surface	teflon coated
Degree of protection (IP)	IP67
Housing material	Plastic
Ambient temperature	-30 - 70°C

Other features

Printing	Symbol "hand"
With front ring	Yes
Ambient temperature	-30 - 70°C

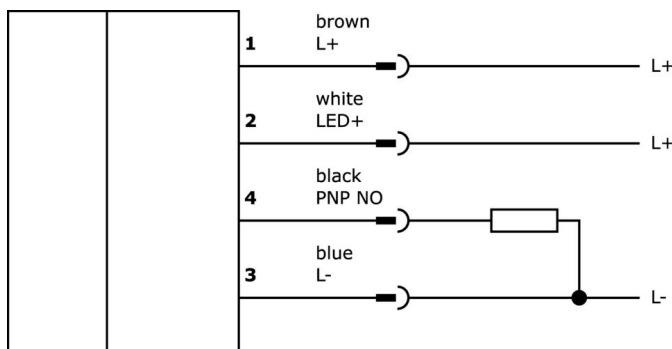
Classification

ETIM 8	EC001028 Pushbutton, complete unit
--------	------------------------------------

More

IPF Product Group	690 diverse sensors
packaging dimensions	143 x 74 x 74 mm
gross weight	100 g
Customs tariff number	85365019
WEEE number	40951076
Reach-compliant	Yes
RoHS-compliant	Yes

Connection



Installation



Mounting / installation may only be carried out by a qualified electrician!

Disposal



Safety warnings

Before initial operation, please make sure to follow all safety instructions that may be provided in the product information.

Never use these devices in applications where the safety of a person depends on their functionality.

For suitable connection and mounting accessories, please refer to our website www.ipf-electronic.com.

Dimensional drawing

