

LS208959

Fiber optic sensors • Fiber optics plastic fiber barrier

fiber optic barrier, 2m, head: Brass M3 M3x0.5, Light exit Axial, conductor: Plasticfiber+Plastic, Sn: 100, -30-70°C, IP67

including Nut, Washer



Fiber optics in combination with the appropriate fiber optic amplifier function as contactless and wear-free position switches that can also be used in harsh environmental conditions. They detect objects independent of their characteristics (e.g., shape, color, surface structure, material). Because the ends and heads of the fiber optics have small dimensions and the fiber optics are flexible, very elegant solutions can be created for detecting objects in places that are difficult to access. Fiber optics can be used without special precautions in potentially explosive areas and in zones with electrical and/or magnetic fields (high-voltage installations, electrical welding equipment) as their function is not thereby affected. Fiber optics are available in versions for implementing the function as through-beam sensor or diffuse reflection sensor.

Electrical features

Bending section of the sensing head	0 mm
Bending angle of the sensing head	0 °
Short-circuit protection	No
Switching distance	0 - 100 mm
Reverse polarity protection	No

Mechanical features

Type of fiber	Mono
Design	Cylinder plain
Bending radius (fixed)	25 mm
Sensing head diameter 1	2
Fiber diameter	0.5 mm
Fiber optic cable diameter, receiver end	1.1
Fiber optic cable diameter, transmitter end	1.1
Sensing head diameter	3 mm
Number of fibers	2
Length	2000 mm
End piece length	15 mm
Degree of protection (IP)	IP67
Sheathing material	Plastic
Fiber optics core material	Plastic
Sensing head material	Brass
Ejection control	Yes
Design of the fiber optic connection	terminal connection
Thread dimension of sensing head 1	M3
Thread dimension of sensing head	M3
Ambient temperature	-30 - 70 °C

Optical features

Light exit	axial
------------	-------

Other features

Sensing head thread pitch 1	0.5
Feeding technology	Yes
Thread dimension of sensing head 1	M3
ardTE00_Anwendungen	Stanzwerkzeuge starke Verschmutzung

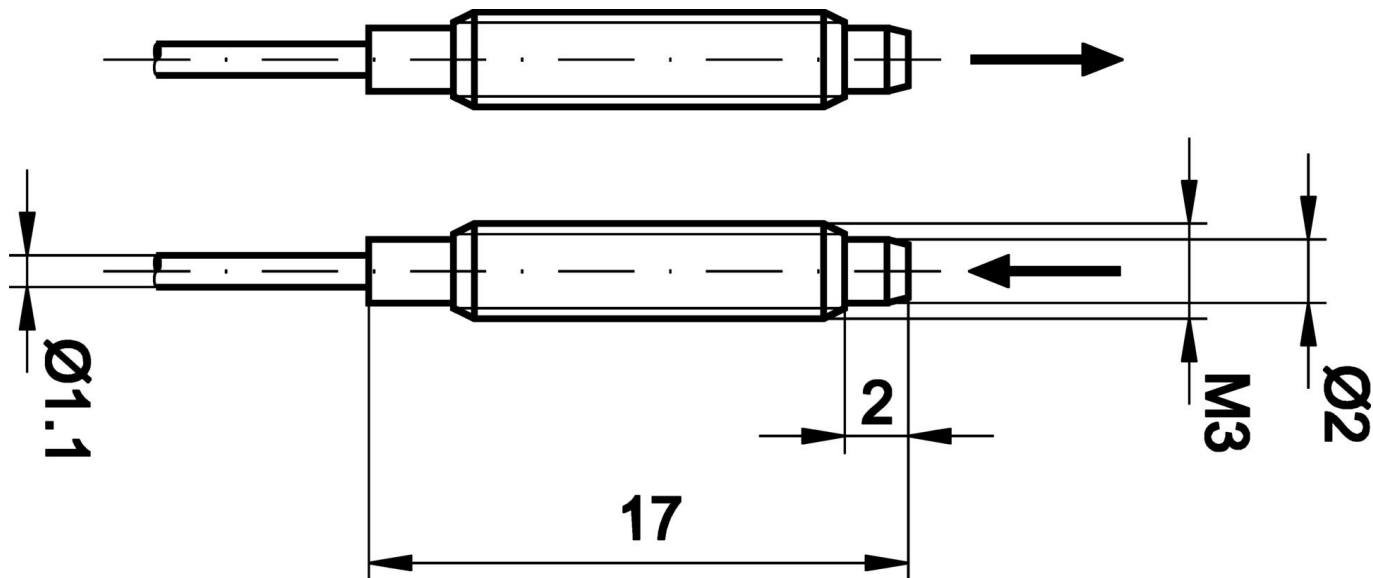
Classification

ETIM 8	EC002651 Fiber optic sensor/amplifier
--------	---------------------------------------

More

IPF Product Group	151 plastic fibers
packaging dimensions	123 x 77 x 25 mm
gross weight	21 g
Customs tariff number	90011090
WEEE number	40951076
OzDS-compliant	Yes
POP-compliant	Yes
Reach-compliant	Yes
RoHS-compliant	Yes

Dimensional drawing



Extract accessories program

AL000007



accessories fiber optic, Fiber cutter, barrier, diffuse-reflection sensor, 13mm high, Cubic, Stainless steel

OL100340



fiber optic-amplifier, 30x70x10mm, 12-24V DC, 1x PNP NC/NO, Plug-in connection 3pin, IP40, Plastic, Polarity free red light

OL100341



fiber optic-amplifier, 30x70x10mm, 12-24V DC, 1x PNP NC/NO, Plug-in connection 3pin, IP40, Plastic ABS, Blue light

OF500185



sensor optical, color, 32x50x50mm, White light, True color, Sn: 1-500, 22-26V DC, 2x PNP/NPN Push-pull, Connector M8 4pin, IP64, Aluminum Anodised, With fiber optics connection, $\Delta E \geq 0.5$, 60kHz, 3 colors

You can find further accessories on our homepage



Installation

Mounting / installation may only be carried out by a qualified electrician!



Disposal

WEEE number according to § 6 para. 3 ElektroG: 40951076

Safety warnings

/ Before initial operation, please make sure to follow all safety instructions that may be provided in the product information.

/ Never use these devices in applications where the safety of a person depends on their functionality.