

LT208157

Fiber optic sensors • Fiber optics plastic fiber diffuse-reflection sensor

Diffuse reflection sensor, 2m, head: brass 24long M6x0.75 Ø4.5, axial light exit, conductor: plastic fiber+plastic 1xØ1mm, -30-70°C, IP67

including Nut



Photoconductors in conjunction with the appropriate fiber optics amplifier are contactless and wear-free position switches that can also be used in harsh environmental conditions. They detect objects regardless of their properties (e.g. shape, color, surface structure, material). As the photoconductive ends or heads have small dimensions and the fiber optics are also flexible, object detection in hard-to-reach places can be solved very elegantly. Fiber optics can be used without special precautions in potentially explosive areas and in zones with electrical and/or magnetic fields (high-voltage systems, electrical welding equipment), as their function is not impaired by this. Fiber optics are available in versions to implement the function as a through-beam light barrier or diffuse reflection sensor.

Electrical features

Bending section of the sensing head	0 mm
Bending angle of the sensing head	0 °
Sensing head length	24 mm
Switching distance	0 - 75 mm

Mechanical features

Type of fiber	Mono
Design	Cylinder, screw-thread
Bending radius (fixed)	25 mm
Sensing head diameter 1	4.5
Fiber diameter	1 mm
Fiber optic cable diameter, receiver end	2.2
Fiber optic cable diameter, transmitter end	2.2
Sensing head diameter	4.5 mm
Number of fibers	1
Length	2000 mm
Degree of protection (IP)	IP67
Sheathing material	Plastic
Fiber optics core material	Plastic
Sensing head material	Brass
Design of the fiber optic connection	terminal connection
Thread dimension of sensing head 1	M6
Ambient temperature	-30 - 70 °C
ardSOCA_Abmessungen	2000mm long

Optical features

Light exit	axial
Nominal operating distance	75 mm

Other features

Sensing head thread pitch 1	0.75
Thread dimension of sensing head 1	M6
ardTE00_Anwendungen	Stamping tools Heavy soiling

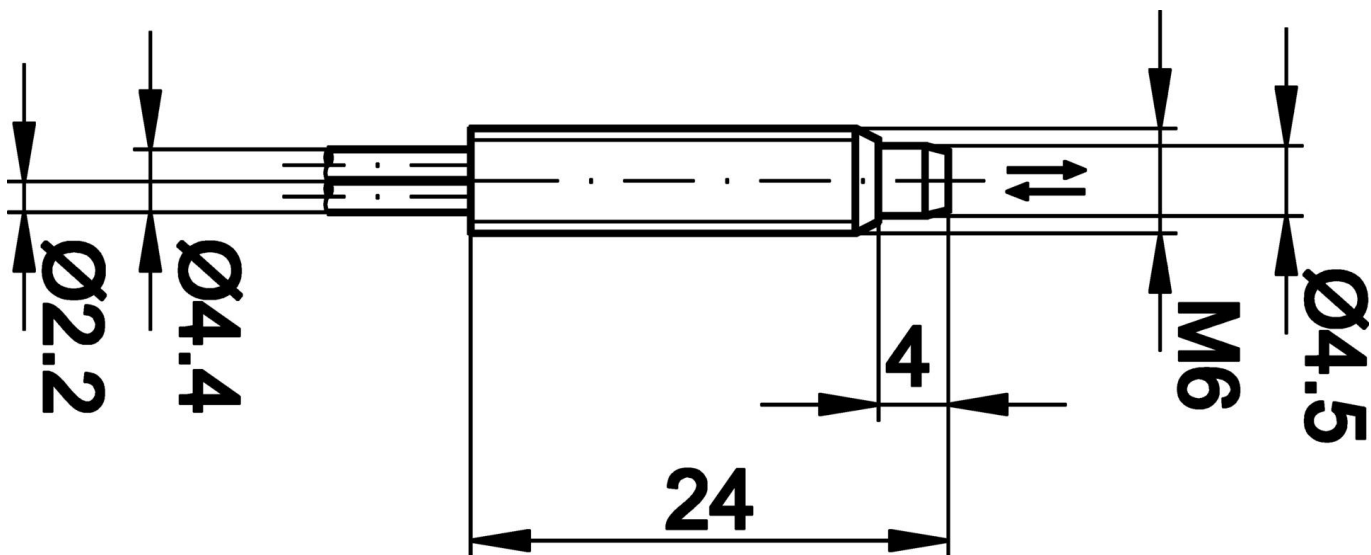
Classification

ETIM 8	EC002651 Fiber optic sensor/amplifier
--------	---------------------------------------

More

IPF Product Group	151 plastic fibers
packaging dimensions	123 x 77 x 25 mm
gross weight	40 g
Customs tariff number	90011090
WEEE number	40951076
OzDS-compliant	Yes
POP-compliant	Yes
Reach-compliant	Yes
RoHS-compliant	Yes

Dimensional drawing



Extract accessories program**OL100340**

fiber optic-amplifier,
30x70x10mm, 12-24V DC, 1x PNP
NC/NO, Plug-in connection 3pin,
IP40, Plastic, Polarity free red light

OL100341

fiber optic-amplifier,
30x70x10mm, 12-24V DC, 1x PNP
NC/NO, Plug-in connection 3pin,
IP40, Plastic ABS, Blue light

AL000007

accessories fiber optic, Fiber
cutter, barrier, diffuse-reflection
sensor, 13mm high, Cubic,
Stainless steel

You can find further accessories on our homepage

**Installation**

Mounting / installation may only be carried out by a qualified electrician!

**Disposal**

WEEE number according to § 6 para. 3
ElektroG: 40951076

Safety warnings

- / Before initial operation, please make sure to follow all safety instructions that may be provided in the product information.
- / Never use these devices in applications where the safety of a person depends on their functionality.