

# LT208955

## Fiber optic sensors • Fiber optics plastic fiber diffuse-reflection sensor

fiber optic diffuse-reflection sensor, 2m, head: Brass 20long M4x0.7 Ø3, Light exit Axial, conductor: Plasticfiber+Plastic, -30-70°C, IP67

including Nut



Fiber optics in combination with the appropriate fiber optic amplifier function as contactless and wear-free position switches that can also be used in harsh environmental conditions. They detect objects independent of their characteristics (e.g., shape, color, surface structure, material). Because the ends and heads of the fiber optics have small dimensions and the fiber optics are flexible, very elegant solutions can be created for detecting objects in places that are difficult to access. Fiber optics can be used without special precautions in potentially explosive areas and in zones with electrical and/or magnetic fields (high-voltage installations, electrical welding equipment) as their function is not thereby affected. Fiber optics are available in versions for implementing the function as through-beam sensor or diffuse reflection sensor.

### Electrical features

Bending section of the sensing head	0 mm
Bending angle of the sensing head	0 °
Short-circuit protection	No
Sensing head length	20 mm
Switching distance	0 - 35 mm
Reverse polarity protection	No

### Mechanical features

Type of fiber	Mono
Design	Cylinder plain
Bending radius (fixed)	25 mm
Sensing head diameter 1	3
Fiber diameter	0.5 mm
Sensing head diameter	3 mm
Number of fibers	1
Length	2000 mm
Degree of protection (IP)	IP67
Sheathing material	Plastic
Fiber optics core material	Plastic
Sensing head material	Brass
Ejection control	Yes
Design of the fiber optic connection	terminal connection
Thread dimension of sensing head 1	M4
Ambient temperature	-30 - 70 °C

**Optical features**

Light exit	axial
Nominal operating distance	35 mm

**Other features**

Sensing head thread pitch 1	0.7
Feeding technology	Yes
Thread dimension of sensing head 1	M4
ardTE00_Anwendungen	Stanzwerkzeuge starke Verschmutzung

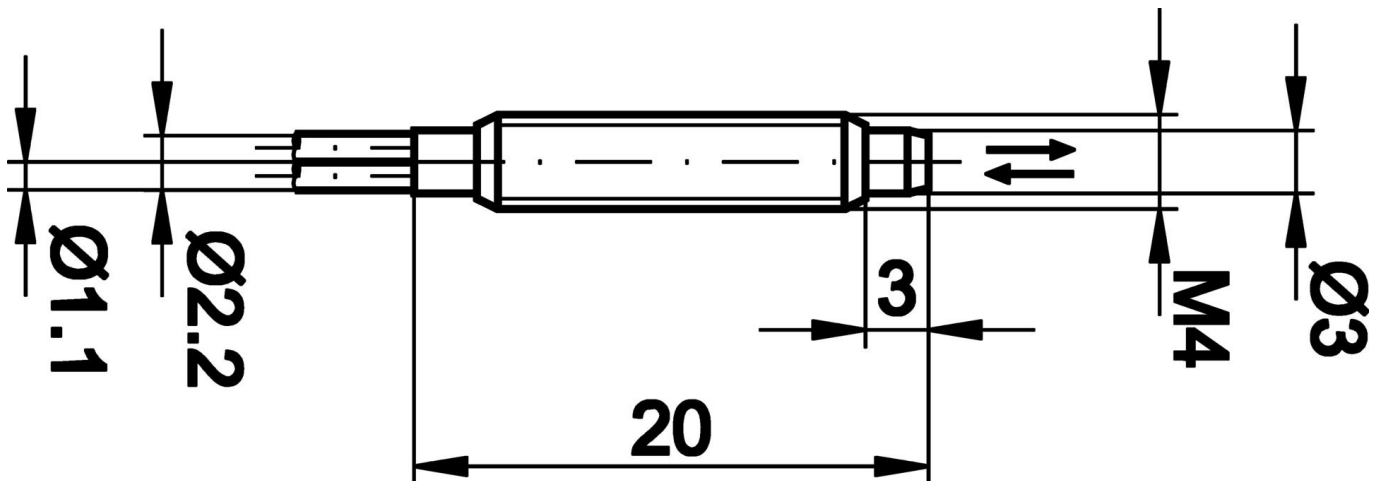
**Classification**

ETIM 8	EC002651 Fiber optic sensor/amplifier
--------	---------------------------------------

**More**

IPF Product Group	151 plastic fibers
packaging dimensions	123 x 77 x 25 mm
gross weight	20 g
Customs tariff number	90011090
WEEE number	40951076
OzDS-compliant	Yes
POP-compliant	Yes
Reach-compliant	Yes
RoHS-compliant	Yes

**Dimensional drawing**



---

**Extract accessories program**

**AL000007**



accessories fiber optic, Fiber cutter, barrier, diffuse-reflection sensor, 13mm high, Cubic, Stainless steel

**OL100340**



fiber optic-amplifier, 30x70x10mm, 12-24V DC, 1x PNP NC/NO, Plug-in connection 3pin, IP40, Plastic, Polarity free red light

**OL100341**



fiber optic-amplifier, 30x70x10mm, 12-24V DC, 1x PNP NC/NO, Plug-in connection 3pin, IP40, Plastic ABS, Blue light

You can find further accessories on our homepage



**Installation**

Mounting / installation may only be carried out by a qualified electrician!



**Disposal**

WEEE number according to § 6 para. 3 ElektroG: 40951076

---

**Safety warnings**

- / Before initial operation, please make sure to follow all safety instructions that may be provided in the product information.
- / Never use these devices in applications where the safety of a person depends on their functionality.