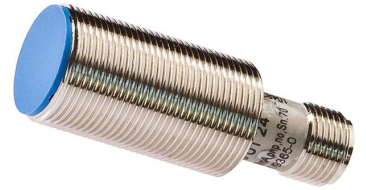


MS180124

Magnetic field sensors • Proximity switches

sensor magnetic, M18x1 81long, Sn: 70mm, 10-30V DC, 1x PNP NO, Connector M12 4pin, IP67, Nickel-plated brass, LED

including Nut



Magnetic proximity switches are contact-free sensors. They detect magnetic objects and - or magnets, regardless of whether they move or not. Since magnetic fields penetrate all non-magnetizable materials, the sensors can detect magnets through walls made of nonferrous heavy metal, stainless steel, aluminum, plastic, wood or through excessive sailing, for instance. The achievable sensing range of the devices depends on the strength of the affecting magnetic field. Magnetic sensors are used for positioning (e.g. position checks on hoisting gear), speed checks (e.g. on conveyor belts or transmission cog wheels through the aluminum housings) or for position detection (e.g. of goods carriers).

Electrical features

Number of switching outputs	1
Display	LED display
Type of switching function	Normally open contact (NO)
Type of electrical connection	Connector M12
Type of switching output	PNP
Rated switching current	200 mA
Short-circuit protection	Yes
Number of pins	4
Switching distance	70 mm
Reverse polarity protection	Yes
Operating voltage (DC)	10 - 30 V
Reed contact	Yes

Mechanical features

Design	Cylinder, screw-thread
Diameter	18 mm
Thread length	30 mm
Thread pitch	1 mm
Length	81 mm
Degree of protection (IP)	IP67
Housing material	Nickel-plated brass
Thread dimension	M18
Ambient temperature	-20 - 70 °C

Other features

Oil and cooling lubricants	Yes
----------------------------	-----

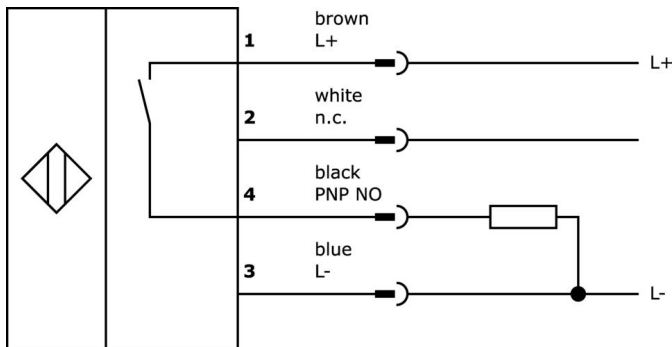
Classification

ETIM 8	EC002544 Magnetic proximity switch
--------	------------------------------------

More

IPF Product Group	230 magnetic sensors
packaging dimensions	123 x 77 x 25 mm
gross weight	70 g
Customs tariff number	85365019
WEEE number	40951076
OzDS-compliant	Yes
POP-compliant	Yes
Reach-compliant	Yes
RoHS-compliant	Yes

Connection



Extract accessories program

VK030F60



Connection cable, 0.3m, M12 socket 3-pin angular, M8 connector 3-pin straight, 3x0. 34mm², PUR (polyurethane), 60V, IP67, suitable for trailing chain and torsion resistant, oils and cooling lubricants, welding area, silicone-free

VK030F64



Connection cable, 0.3m, M12 socket 3-pin straight, M8 connector 3-pin straight, 3x0. 34mm², PUR (polyurethane), 60V, IP67, suitable for trailing chain and torsion resistant, oils and cooling lubricants, welding area, silicone-free

VK003020



Cable socket, angular, self-assembly, screw connection, Ø3-6. 5mm, 4A, 240V, -25-90°C, M12 socket 4-pin, IP67, PBT

VK003024



Cable socket, Straight, Suitable for self-assembly, Screw connection, Ø3-6.5mm, 4A, 240V, -25-90°C, M12 Female (socket) 4pin, IP67, PBT

VK030F23



Connection cable, 0.3m, M12 socket 4-pin angular, M12 connector 4-pin straight, 4x0. 34mm², PUR (polyurethane), IP67, LED, suitable for trailing chain and torsion resistant, oils and cooling lubricants, welding area, silicone-free

VK030F26



Connection cable, 0.3m, M12 socket 4-pin straight, M12 connector 4-pin straight, 4x0. 34mm², PUR (polyurethane), IP67, LED, suitable for trailing chain and torsion resistant, oils and cooling lubricants, welding area, silicone-free

VK030F62



Connection cable, 0.3m, M12 socket 3-pin angular, M8 connector 3-pin straight, 3x0. 34mm², PUR (polyurethane), IP67, LED, suitable for trailing chain and torsion resistant, oils and cooling lubricants, welding area, silicone-free

VK060F62



Connection cable, 0.6m, M12 socket 3-pin angular, M8 connector 3-pin straight, 3x0. 34mm², PUR (polyurethane), IP67, LED, suitable for trailing chain and torsion resistant, oils and cooling lubricants, welding area, silicone-free

AM000001



Accessories, magnetic, Ø20mm 6. 5long, strontium ferrite, internal hole Ø4.3mm, 25-130°C

You can find further accessories on our homepage



Installation

Mounting / installation may only be carried out by a qualified electrician!



Disposal

WEEE number according to § 6 para. 3 ElektroG: 40951076

Safety warnings

/ Before initial operation, please make sure to follow all safety instructions that may be provided in the product information.

/ Never use these devices in applications where the safety of a person depends on their functionality.