

MZ070125

Magnetic field sensors • Sensors for T-slot

Sensor magnetic, cylinder, 6.2mm T-slot, 22x23x10mm, 10-30V DC, 1x PNP NO, M12 plug connector 4-pin, IP67, zinc diecast, LED, 2.8mT, lateral installation, position of sensor surface device edge area



For many tasks in the field of automation technology, it is necessary to recognize the motional processes in pneumatic and hydraulic cylinders and to detect the position of the piston with precision. For this, magnetic cylinder sensors are used.

Electrical features

Number of switching outputs	1
Display	LED display
Type of switching function	Normally open contact (NO)
Type of electrical connection	Connector M12
Type of switching output	PNP
Rated switching current	200 mA
Absolute hysteresis	1 mm
Short-circuit protection	Yes
No-load current	15 mA
Magnetic sensitivity	2.8 mT
Number of pins	4
Switching frequency	1000 Hz
Sensor surface (active)	Border area / edge area
Voltage drop	2 V
Reverse polarity protection	Yes
Absolute repeat accuracy	0.1 mm
Operating voltage (DC)	10 - 30 V

Mechanical features

Design	Cuboid
Width	10.1 mm
Height	22 mm
Sensor surface position	Border area of the device
Length	23 mm
Mounting access, cylinder groove	Lateral
Degree of protection (IP)	IP67
Housing material	Zinc die-cast
Strong vibration / motion	Yes
Ambient temperature	-25 - 75 °C

Other features

Suitable for	6.2mm T-slot
Cylinder version	With T-groove
Harsh environmental conditions	Yes
Oil and cooling lubricants	Yes

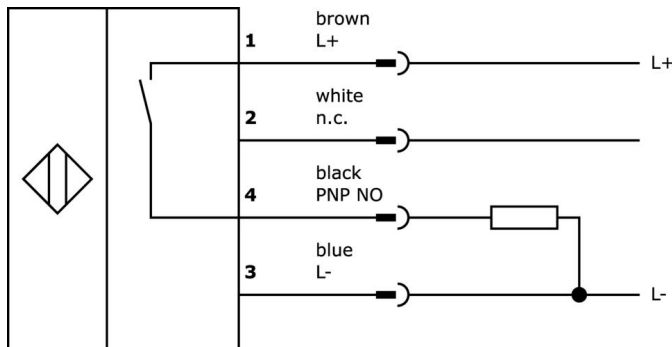
Classification

ETIM 8	EC002544 Magnetic proximity switch
--------	------------------------------------

More

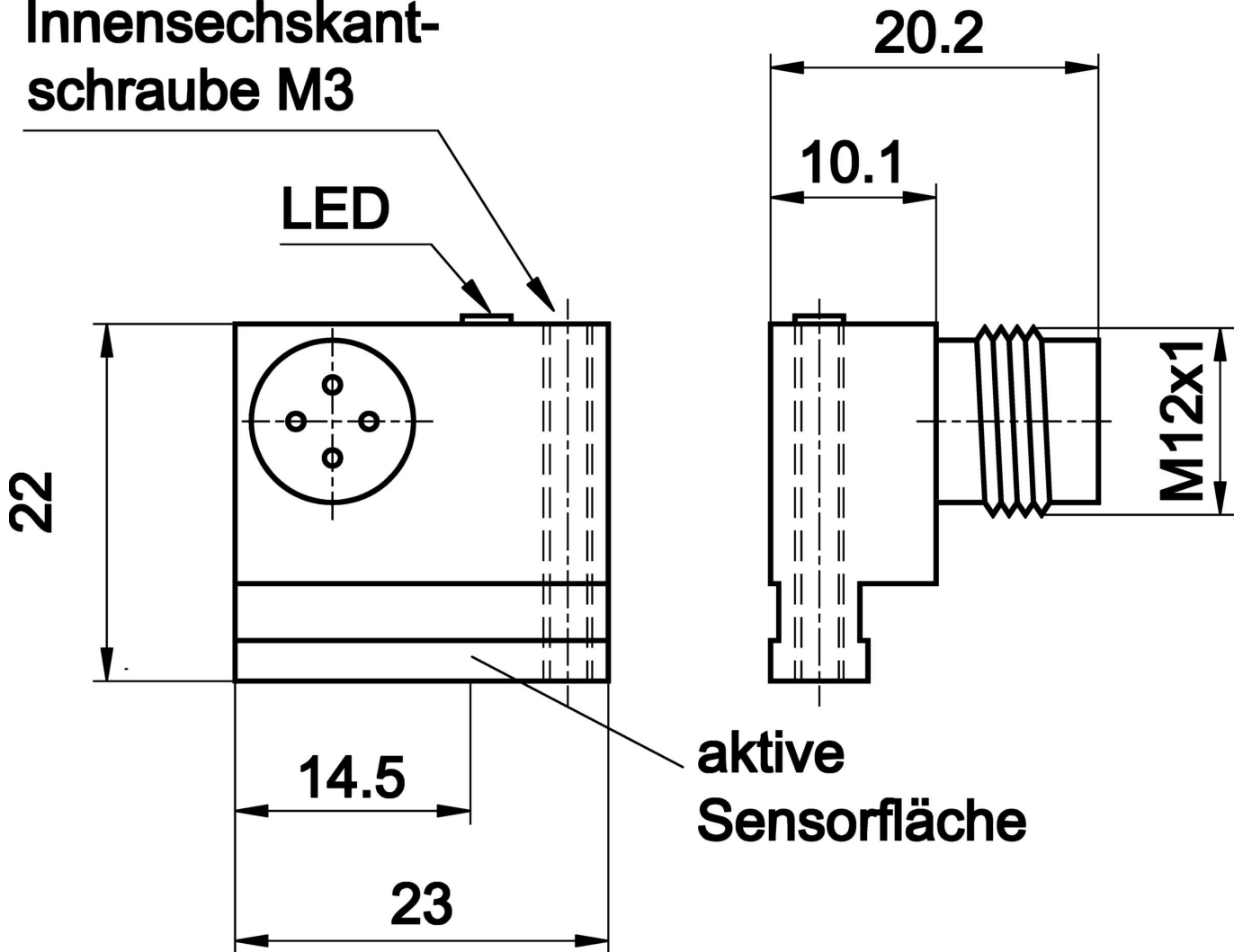
IPF Product Group	220 pneumatic cylinder sensors
packaging dimensions	130 x 100 x 25 mm
gross weight	20 g
Customs tariff number	85365019
WEEE number	40951076
Reach-compliant	Yes
RoHS-compliant	Yes

Connection



Dimensional drawing

Innensechskant- schraube M3



Extract accessories program

VY000004



DC power supply, sensor tester, 120x26x72mm, 18V, 0.04A, Spring clamp connection 4pin, IP20, Plastic

AY000154



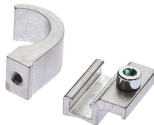
Tool, Screwdriver set, Internal hexagon 0.7mm, Internal hexagon 0.9mm, Internal hexagon 1.3mm, Internal hexagon 1.5mm, Internal hexagon 2mm, Slot 1.5mm, Slot 2mm, Slot 2.5mm, Chromium steel

AM98E153



accessories magnetic, Installation tape, 259x9,5mm, Span 35-68mm, For sensor MZ07, Stainless steel

AM98A882



accessories magnetic, For sensor MZ07, for Cylinder, Bosch profiled barrel, Screw mounting

AM000087



accessories magnetic, Cable clip, Plastic

AM000076



accessories magnetic, clamp, 4x6, 2x6,2mm, aluminum

CI200120



counter pulse, 60mm long, 10kHz, 1x preset, 10-30V DC, 1x PNP NO (NO), Connector M12 4pin, IP67, Plastic, Adding

VY030224



Signal inversion, 10-35V DC, 1x NC/NO, M12 3pin 0.3m, IP67, Plastic

VY031124



Inverter, PNP/NPN, 10-35V DC, 1x NO, M12 3pin 0.3m, IP67, Plastic

You can find further accessories on our homepage



Installation

Mounting / installation may only be carried out by a qualified electrician!



Disposal

WEEE number according to § 6 para. 3 ElektroG: 40951076

Safety warnings

- / Before initial operation, please make sure to follow all safety instructions that may be provided in the product information.
- / Never use these devices in applications where the safety of a person depends on their functionality.