

MZ070172

Magnetic field sensors • Sensors for T-slot

Sensor Magnetic, cylinder, 6.2mm T-slot, 6.5x27x5mm, 10-30V DC, 1x PNP NO, M8 cable connector 3-pin 0.3m PUR (polyurethane), IP67, aluminum, LED, 2.8mT, installation from above, position of sensor surface in middle of device



For many tasks in automation technology, it is necessary to recognize the movement processes in pneumatic and hydraulic cylinders and to precisely detect the position of the piston. This is where magnetic cylinder sensors are used, which are attached to the cylinders using adapters or directly from the outside.

Electrical features

Number of switching outputs	1
Display	LED display
Type of switching function	Normally open contact (NO)
Type of electrical connection	Cable connector M8
Type of switching output	PNP
Rated switching current	150 mA
Absolute hysteresis	1 mm
No-load current	15 mA
Magnetic sensitivity	2.8 mT
Number of pins	3
Switching frequency	1000 Hz
Sensor surface (active)	Middle area
Voltage drop	2 V
Operating voltage (DC)	10 - 30 V
ardTEEL_Schutzfunktionen	Short circuit protection Reverse polarity protection

Mechanical features

Number of cores	3
Design	Cuboid
Width	5 mm
Height	6.5 mm
Cable length	0.3 m
Sensor surface position	Center of the device
Length	27 mm
Mounting access, cylinder groove	From the top
Degree of protection (IP)	IP67
Housing material	Aluminum
Material of cable sheath	Kunststoff (PUR)
Ambient temperature	-25 - 70 °C
ardTEME_Umgebungsbestaendigkeiten	Öle Kühlschmiermittel starke Erschütterungen/ Bewegungen

Other features

Suitable for	6.2mm T-slot
Cylinder version	With T-groove
Harsh environmental conditions	Yes

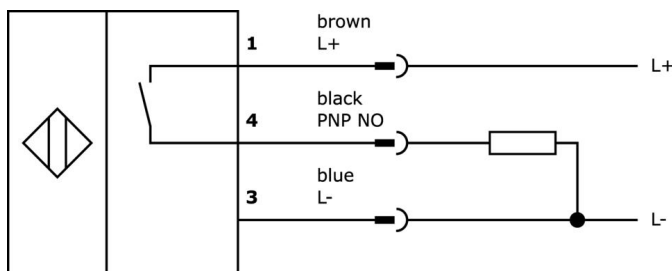
Classification

ETIM 8	
--------	--

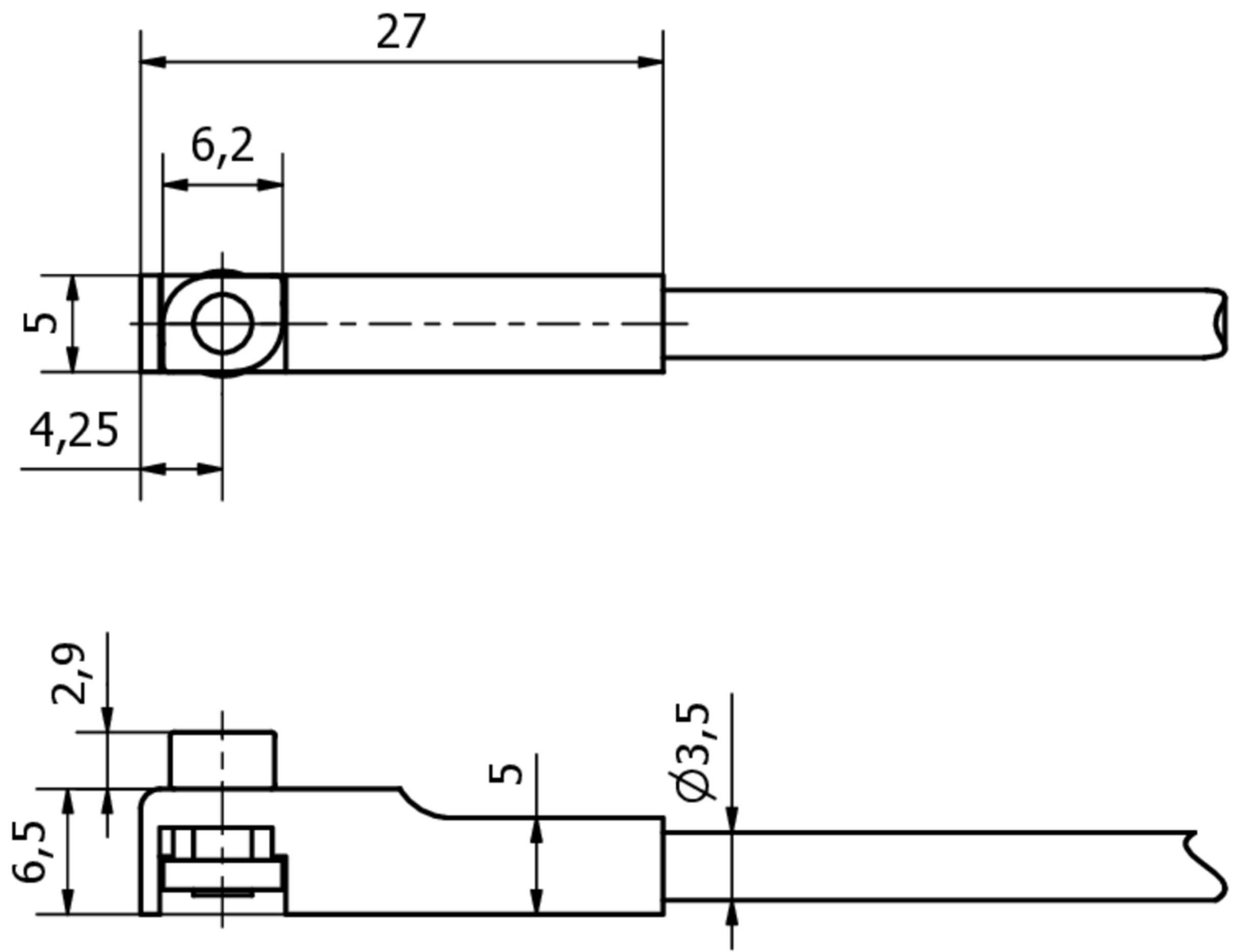
More

IPF Product Group	220 pneumatic cylinder sensors
packaging dimensions	120 x 100 x 17 mm
gross weight	20 g
Customs tariff number	85365019
WEEE number	40951076
Reach-compliant	Yes
RoHS-compliant	Yes
MTTF	5426 year(s)
MTTFd	10851 year(s)
MTTFd (worst case)	1085 year(s)

Connection



Dimensional drawing



Extract accessories program

AM000087



accessories magnetic, Cable clip,
Plastic

VK200071



Connection cable, 2m, M8 socket
3-pin angular, free cable end, 3x0.34mm², PUR (polyurethane), Ø4.3mm, 60V, -40-90°C, IP67, TPU, suitable for trailing chain and torsion resistant, oils and cooling lubricants, welding area, silicone-free

VK200075



Connection cable, 2m, M8 socket
3-pin straight, free cable end, 3x0.34mm², PUR (polyurethane), Ø4.3mm, 60V, -30-90°C, IP67, suitable for trailing chain and torsion resistant, oils and cooling lubricants, welding area, silicone-free

NG530002



DC power supply, single-phase, 99x114x22mm, 24V, 0.1A, Number of relay outputs 2, 100-264V AC 50Hz, 100-264V AC 60Hz, Screw connection, IP20, Plastic, Stabilized, Output voltage, pulsed

AV000142



accessories cable socket,
Mounting clip, 8.5mm, PPO, Packaging unit 5, Accessories for Cable socket/connector M8

AY000141



Plastic sheath, Ø17mm, Inner diameter 10mm, -40-250°C, Glass fiber with silicone rubber, Short-term resistance to weld spatter 1200°C, Tensile strength 400N, Flexible, Flame retardant, yard good

AY000154



Tool, Screwdriver set, Internal hexagon 0.7mm, Internal hexagon 0.9mm, Internal hexagon 1.3mm, Internal hexagon 1.5mm, Internal hexagon 2mm, Slot 1.5mm, Slot 2mm, Slot 2.5mm, Chromium steel

AM98E153



accessories magnetic, Installation tape, 259x9,5mm, Span 35-68mm, For sensor MZ07, Stainless steel

AM98A882



accessories magnetic, For sensor MZ07, for Cylinder, Bosch profiled barrel, Screw mounting

You can find further accessories on our homepage



Installation

Mounting / installation may only be carried out by a qualified electrician!



Disposal

WEEE number according to § 6 para. 3 ElektroG: 40951076

Safety warnings

/ Before initial operation, please make sure to follow all safety instructions that may be provided in the product information.

/ Never use these devices in applications where the safety of a person depends on their functionality.