

MZ072172

Magnetic field sensors • Sensors for T-slot

sensor magnetic, cylinder, 6.2mm T-groove, 6,5x27x5mm, 10-30V DC, 1x PNP NO, Cable connector M8 3pin 0.3m PUR (Polyurethane), IP67, Aluminum, LED, 2.8mT, mounting From the top, Sensor surface position Center of the device



For many tasks in the field of automation technology, it is necessary to recognize the motional processes in pneumatic and hydraulic cylinders and to detect the position of the piston with precision. For this, magnetic cylinder sensors are used.

Electrical features

Number of switching outputs	1
Display	LED display
Type of switching function	Normally open contact (NO)
Type of electrical connection	Cable connector M8
Type of switching output	PNP
Rated switching current	150 mA
Absolute hysteresis	1 mm
Short-circuit protection	No
No-load current	15 mA
Magnetic sensitivity	2.8 mT
Number of pins	3
Switching frequency	1000 Hz
Sensor surface (active)	Middle area
Voltage drop	2 V
Reverse polarity protection	Yes
Operating voltage (DC)	10 - 30 V

Mechanical features

Number of cores	3
Conductor cross-section	0.14 mm ²
Design	Cuboid
Width	5 mm
Height	6.5 mm
Cable length	0.3 m
Sensor surface position	Center of the device
Length	27 mm
Mounting access, cylinder groove	From the top
Degree of protection (IP)	IP67
Housing material	Aluminum
Material of cable sheath	Plastic (PUR)
Strong vibration / motion	Yes
Ambient temperature	-25 - 70 °C

Other features

Suitable for	6.2mm T-slot
Cylinder version	With T-groove
Cylinder manufacturer	Festo
Harsh environmental conditions	Yes
Oil and cooling lubricants	Yes

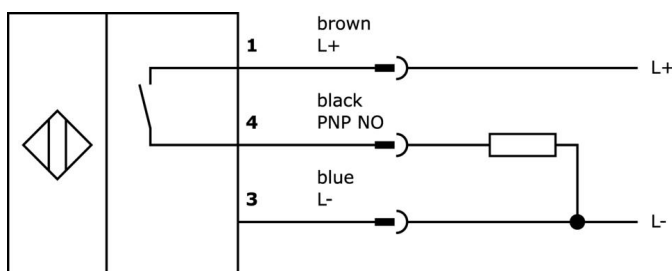
Classification

ETIM 8	EC002544 Magnetic proximity switch
--------	------------------------------------

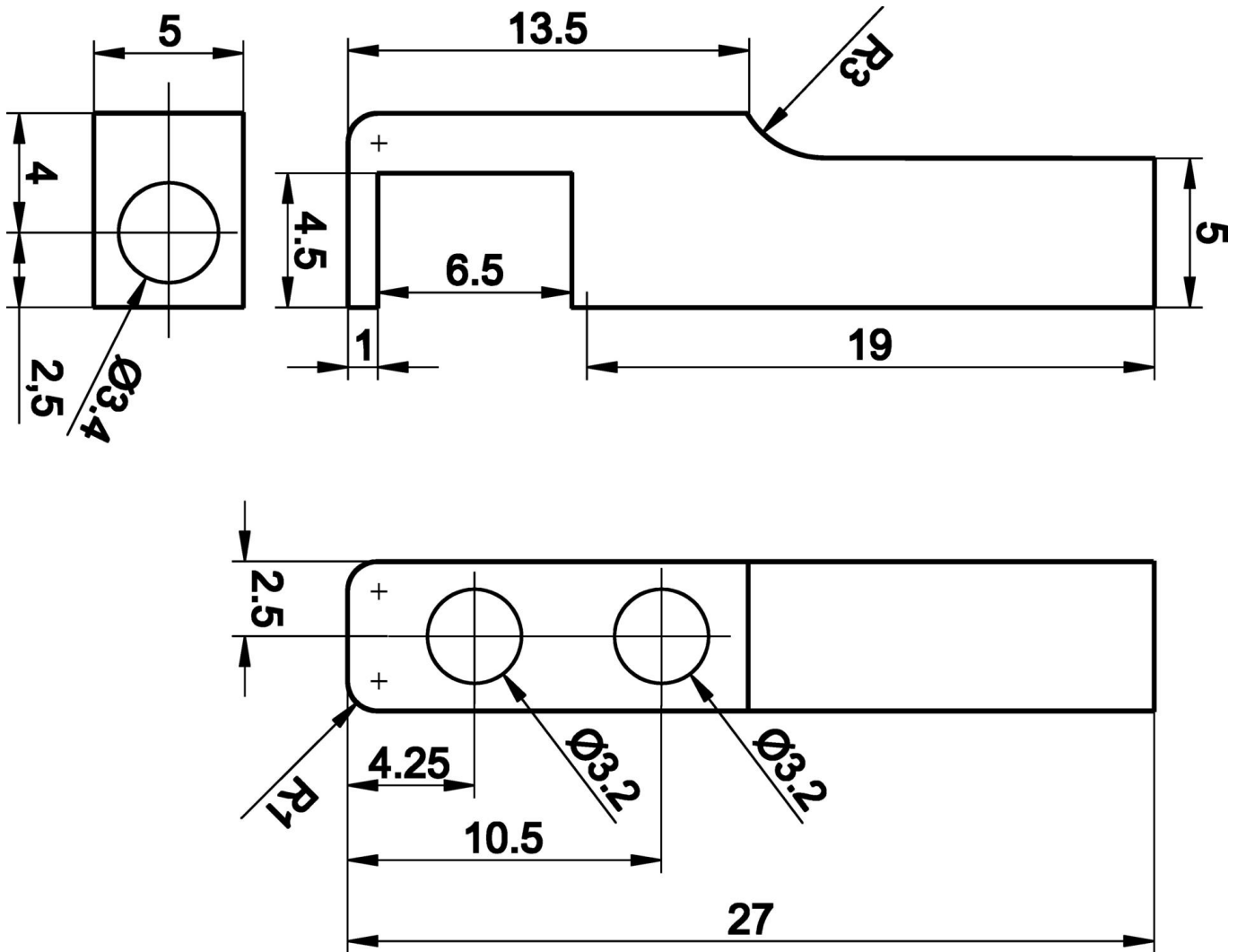
More

IPF Product Group	221 pneumatic cylinder sensors (low cost / reed)
packaging dimensions	120 x 100 x 15 mm
gross weight	20 g
Customs tariff number	85365019
WEEE number	40951076
Reach-compliant	Yes
RoHS-compliant	Yes

Connection

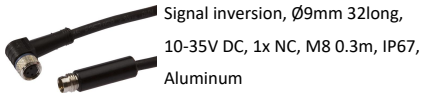


Dimensional drawing



Extract accessories program

VYR90270



Signal inversion, Ø9mm 32long, 10-35V DC, 1x NC, M8 0.3m, IP67, Aluminum

VYR91170



Inverter, Ø9mm 32long, PNP/NPN, 10-35V DC, 1x NO, M8 0.3m, IP67, Aluminum

VK200271



Connection cable, 2m, M8 Female (socket) 3pin Angular, Free conductor end, 3x0.34mm², PUR (Polyurethane), Ø4.3mm, -30-90°C, IP67, With LED display, Suitable for trailing chain and torsion resistant, Oil and cooling lubricants, Welding area, Silico...

VK500271



Connection cable, 5m, M8 Female (socket) 3pin Angular, Free conductor end 3pin, 3x0.34mm², PUR (Polyurethane), Ø4.3mm, -30-90°C, IP67, With LED display, Suitable for trailing chain and torsion resistant, Oil and cooling lubricants, Welding area, S...

VK030F72



Connection cable, 0.3m, M8 socket 3-pin angular, M8 connector 3-pin straight, 3x0.34mm², PUR (polyurethane), IP67, LED, suitable for trailing chain and torsion resistant, oils and cooling lubricants, welding area, silicone-free

VK060F72



Connection cable, 0.6m, M8 socket 3-pin angular, M8 connector 3-pin straight, 3x0.34mm², PUR (polyurethane), IP67, LED, suitable for trailing chain and torsion resistant, oils and cooling lubricants, welding area, silicone-free

VK030F82



Connection cable, 0.3m, M8 socket 3-pin angular, M12 connector 3-pin straight, 3x0.34mm², PUR (polyurethane), IP67, LED, suitable for trailing chain and torsion resistant, oils and cooling lubricants, welding area, silicone-free

VK060F82



Connection cable, 0.6m, M8 socket 3-pin angular, M12 connector 3-pin straight, 3x0.34mm², PUR (polyurethane), IP67, LED, suitable for trailing chain and torsion resistant, oils and cooling lubricants, welding area, silicone-free

VK003070



Cable socket, Angular, Suitable for self-assembly, Soldering connection, Ø3.5-5mm, 4A, 60V, -40-85°C, M8 Female (socket) 3pin, IP67, Brass

You can find further accessories on our homepage



Installation

Mounting / installation may only be carried out by a qualified electrician!



Disposal

WEEE number according to § 6 para. 3 ElektroG: 40951076

Safety warnings

/ Before initial operation, please make sure to follow all safety instructions that may be provided in the product information.

/ Never use these devices in applications where the safety of a person depends on their functionality.