

MZ07A108

Magnetic field sensors • Sensors for T-slot

Sensor magnetic, cylinder, 6.2mm T-slot, 22x23x10mm, 10-30V DC, 1x PNP NO, M12 plug connector 4-pin, IP67, zinc diecast, LED, 2.8mT, lateral installation, position of sensor surface device edge area



For many tasks in the field of automation technology, it is necessary to recognize the motional processes in pneumatic and hydraulic cylinders and to detect the position of the piston with precision. For this, magnetic cylinder sensors are used.

Electrical features

Number of switching outputs	1
Display	LED display
Type of switching function	Normally open contact (NO)
Type of electrical connection	Connector M12
Type of switching output	PNP
Rated switching current	150 mA
Absolute hysteresis	1 mm
Short-circuit protection	Yes
No-load current	15 mA
Magnetic sensitivity	2.8 mT
Number of pins	4
Switching frequency	1000 Hz
Sensor surface (active)	Border area / edge area
Voltage drop	2 V
Reverse polarity protection	Yes
Absolute repeat accuracy	0.1 mm
Operating voltage (DC)	10 - 30 V

Mechanical features

Design	Cuboid
Width	10.1 mm
Height	22 mm
Sensor surface position	Border area of the device
Length	23 mm
Mounting access, cylinder groove	Lateral
Degree of protection (IP)	IP67
Housing material	Zinc die-cast
Strong vibration / motion	Yes
Ambient temperature	-25 - 75 °C

Other features

Suitable for	6.2mm T-slot
Cylinder version	With T-groove
Harsh environmental conditions	Yes
Oil and cooling lubricants	Yes

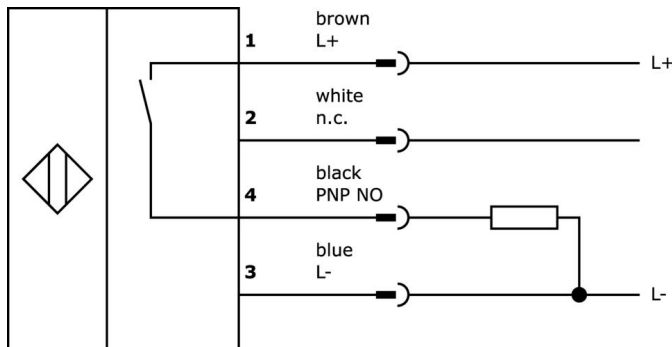
Classification

ETIM 8	EC002544 Magnetic proximity switch
--------	------------------------------------

More

IPF Product Group	220 pneumatic cylinder sensors
packaging dimensions	120 x 100 x 25 mm
gross weight	40 g
Customs tariff number	85365019
WEEE number	40951076
Reach-compliant	Yes
RoHS-compliant	Yes

Connection



Extract accessories program

VK000037



Adaption, M12 Female (socket) 3pin Straight, M8 Male (connector) 3pin Straight, 24V, -25-85°C, IP67, Oil and cooling lubricants, Welding area

VK003021



Cable socket, Angular, Suitable for self-assembly, Screw connection, Ø3-6.5mm, 4A, 60V, -25-90°C, M12 Female (socket) 5pin, IP67, PBT

VK003025



Cable socket, Straight, Suitable for self-assembly, Screw connection, Ø3-6.5mm, 4A, 60V, -25-90°C, M12 Female (socket) 5pin, IP67, PBT

AM000037



accessories magnetic, Mounting clip, 18x19x19mm, span 8.3-9.4mm, Plastic, For sensor MZ07, for Cylinder, 8round

AM000038



accessories magnetic, Mounting clip, 20x21x19mm, span 10.2-11.95mm, Plastic, For sensor MZ07, for Cylinder, 10round

VL600104



Logic module, 42x122x60mm, AND, 4-gang, 10-30V DC, 4-pin M12 socket on sensor side, 4-pin M12 connector on control side, IP67, plastic

VL600108



Logic module, 42x172x60mm, AND, 8fold, 10-30V DC, sensor side M12 Female (socket) 4pin, control side M12 Male (connector) 4pin, IP67, Plastic

AY98A607



accessories sensor, Teflon cap, Ø16mm 16long, inner thread 12, Polytetrafluorethylene (PTFE)

VK003020



Cable socket, angular, self-assembly, screw connection, Ø3-6.5mm, 4A, 240V, -25-90°C, M12 socket 4-pin, IP67, PBT

You can find further accessories on our homepage



Installation

Mounting / installation may only be carried out by a qualified electrician!



Disposal

WEEE number according to § 6 para. 3 ElektroG: 40951076

Safety warnings

- / Before initial operation, please make sure to follow all safety instructions that may be provided in the product information.
- / Never use these devices in applications where the safety of a person depends on their functionality.