

MZ07C934

Magnetic field sensors • Sensors for T-slot

sensor magnetic, cylinder, 6.2mm T-groove, 14x14x45mm, Sn: 32mm, 15-30V DC, 0-10V/4-20mA, Cable connector M8 4pin 0.3m PUR (Polyurethane), IP67, Plastic, LED, teach-in, mounting From the top, Sensor surface position Center of the device



For many tasks in the field of automation technology, it is necessary to recognize the motional processes in pneumatic and hydraulic cylinders and to detect the position of the piston with precision. For this, magnetic cylinder sensors are used.

Electrical features

Display	LED display
Type of analog output	0 - 10V 4 - 20mA
Type of electrical connection	Cable connector M8
Setting procedure	Teach-In
Short-circuit protection	Yes
No-load current	25 mA
Number of pins	4
Switching distance	32 mm
Sensor surface (active)	Middle area
Reverse polarity protection	Yes
Absolute repeat accuracy	0.1 mm
Operating voltage (DC)	15 - 30 V
Output functions	Switching point

Mechanical features

Number of cores	4
Design	Cuboid
Width	45 mm
Height	13.6 mm
Cable length	0.3 m
Sensor surface position	Center of the device
Length	14.2 mm
Mounting access, cylinder groove	From the top
Degree of protection (IP)	IP67
Housing material	Plastic
Material of cable sheath	Plastic (PUR)
Ambient temperature	-20 - 70 °C

Other features

Suitable for	6.2mm T-slot
Cylinder version	With T-groove

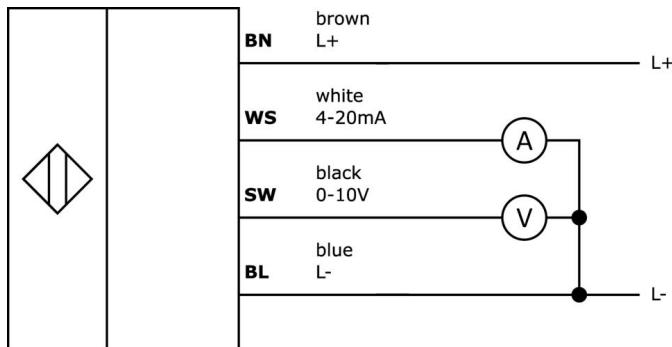
Classification

ETIM 8	EC002544 Magnetic proximity switch
--------	------------------------------------

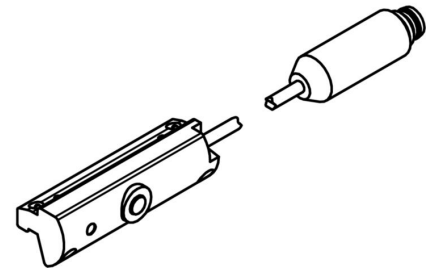
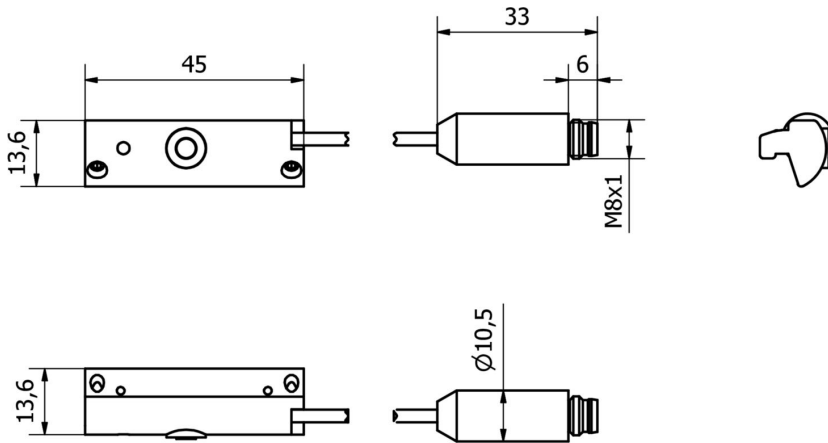
More

IPF Product Group	223 pneumatic cylinder sensors (diverse)
packaging dimensions	123 x 77 x 25 mm
gross weight	40 g
Customs tariff number	85365019
WEEE number	40951076
OzDS-compliant	Yes
POP-compliant	Yes
Reach-compliant	Yes
RoHS-compliant	Yes

Connection



Dimensional drawing



Extract accessories program

AM98A882



accessories magnetic, For sensor MZ07, for Cylinder, Bosch profiled barrel, Screw mounting

AV000142



accessories cable socket, Mounting clip, 8.5mm, PPO, Packaging unit 5, Accessories for Cable socket/connector M8

AY000141



Plastic sheath, Ø17mm, Inner diameter 10mm, -40-250°C, Glass fiber with silicone rubber, Short-term resistance to weld spatter 1200°C, Tensile strength 400N, Flexible, Flame retardant, yard good

AM98E153



accessories magnetic, Installation tape, 259x9,5mm, Span 35-68mm, For sensor MZ07, Stainless steel

AM000087



accessories magnetic, Cable clip, Plastic

AM000076



accessories magnetic, clamp, 4x6, 2x6,2mm, aluminum

VY000004



DC power supply, sensor tester, 120x26x72mm, 18V, 0.04A, Spring clamp connection 4pin, IP20, Plastic

AY98C293



accessories sensor, Teflon cap, M8x1 5long, Polytetrafluorethylene (PTFE)

AM000037



accessories magnetic, Mounting clip, 18x19x19mm, span 8.3-9.4mm, Plastic, For sensor MZ07, for Cylinder, 8round

You can find further accessories on our homepage

**Installation**

Mounting / installation may only be carried out by a qualified electrician!

**Disposal**

WEEE number according to § 6 para. 3
ElektroG: 40951076

Safety warnings

- / Before initial operation, please make sure to follow all safety instructions that may be provided in the product information.
- / Never use these devices in applications where the safety of a person depends on their functionality.