

## MZA70126

### Magnetic field sensors • Sensors for T-slot

sensor magnetic, cylinder, 6.2mm T-groove, 4,3x19x6,2mm, 10-30V DC, 1x PNP NO, Cable connector M12 3pin 0.3m PUR (Polyurethane), IP67, Zinc die-cast, LED, 2.8mT, mounting From the top, Sensor surface position Center of the device



For many tasks in the field of automation technology, it is necessary to recognize the motional processes in pneumatic and hydraulic cylinders and to detect the position of the piston with precision. For this, magnetic cylinder sensors are used.

#### Electrical features

Number of switching outputs	1
Display	LED display
Type of switching function	Normally open contact (NO)
Type of electrical connection	Cable connector M12
Type of switching output	PNP
Rated switching current	150 mA
Absolute hysteresis	1 mm
Short-circuit protection	Yes
No-load current	15 mA
Magnetic sensitivity	2.8 mT
Number of pins	3
Switching frequency	1000 Hz
Sensor surface (active)	Middle area
Voltage drop	2 V
Reverse polarity protection	Yes
Absolute repeat accuracy	0.1 mm
Operating voltage (DC)	10 - 30 V
ardSOCA_ElektrischerAnschluss	Cable connector M12 3-pin 0.3m

**Mechanical features**

Design	Cuboid
Width	6.15 mm
Height	4.3 mm
Cable length	0.3 m
Sensor surface position	Center of the device
Length	19 mm
Maximum tightening torque	0.1 Nm
Mounting access, cylinder groove	From the top
Degree of protection (IP)	IP67
Housing material	Zinc die-cast
Material of cable sheath	Plastic (PUR)
Strong vibration / motion	Yes
Ambient temperature	-25 - 70 °C
ardSOCA_Abmessungen	19x6.15x4.3mm

**Other features**

Suitable for	6.2mm T-slot
Cylinder version	With T-groove
Harsh environmental conditions	Yes
Oil and cooling lubricants	Yes

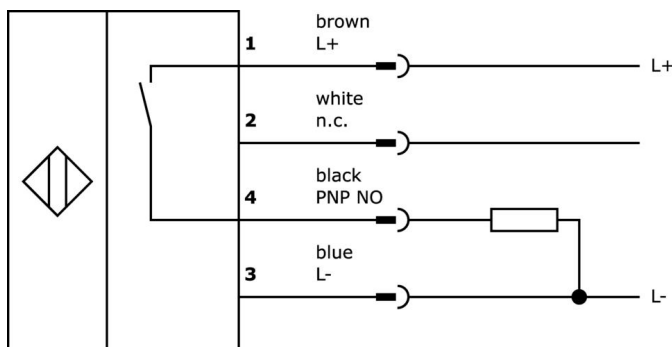
**Classification**

ETIM 8	EC002544 Magnetic proximity switch
--------	------------------------------------

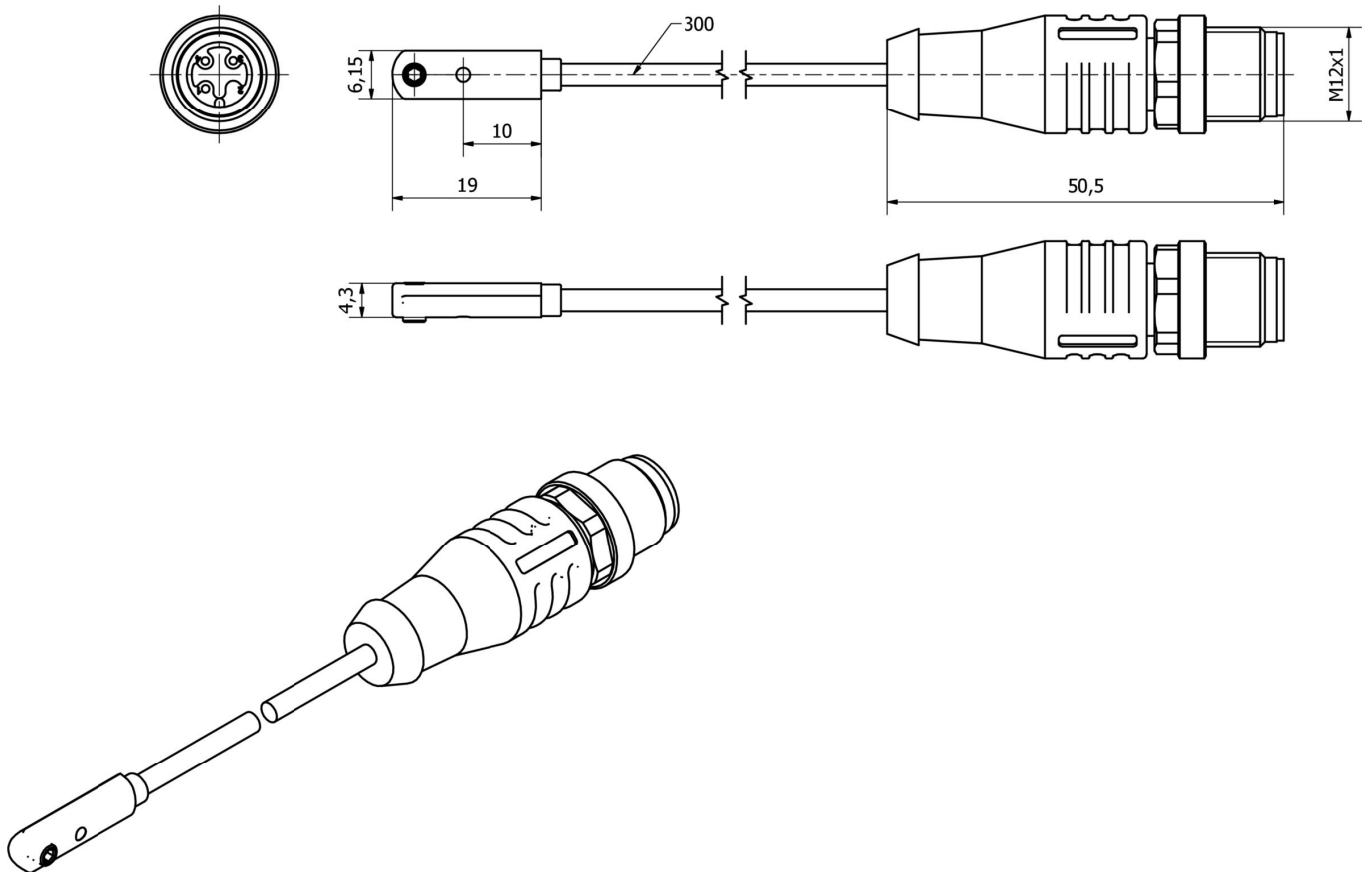
**More**

IPF Product Group	220 pneumatic cylinder sensors
packaging dimensions	120 x 100 x 20 mm
gross weight	17 g
Customs tariff number	85365019
WEEE number	40951076
Reach-compliant	Yes
RoHS-compliant	Yes

**Connection**



**Dimensional drawing**



**Extract accessories program**

**VY000004**



DC power supply, sensor tester, 120x26x72mm, 18V, 0.04A, Spring clamp connection 4pin, IP20, Plastic

**VY200120**



time stage, Turn-on/turn-off delayed, Ø20mm 60long, 65s, 10-30V DC, 1x NO, M12 4pin, IP67, Plastic, Teach-In

**VY030125**



time stage, Turn-on delay, 0-0.15s, 10-35V DC, 1x NO, M12 3pin 0.3mm, IP67, Plastic, Potentiometer

**AV000141**



accessories cable socket, Mounting clip, 13.5mm, PPO, Packaging unit 5, Accessories for Cable socket/connector M12

**AM98E153**



accessories magnetic, Installation tape, 259x9,5mm, Span 35-68mm, For sensor MZ07, Stainless steel

**AM98A882**



accessories magnetic, For sensor MZ07, for Cylinder, Bosch profiled barrel, Screw mounting

**AM000087**



accessories magnetic, Cable clip, Plastic

**AM000076**



accessories magnetic, clamp, 4x6, 2x6,2mm, aluminum

**NG530002**



DC power supply, single-phase, 99x114x22mm, 24V, 0.1A, Number of relay outputs 2, 100-264V AC 50Hz, 100-264V AC 60Hz, Screw connection, IP20, Plastic, Stabilized, Output voltage, pulsed

You can find further accessories on our homepage

**Installation**

Mounting / installation may only be carried out by a qualified electrician!

**Disposal**

WEEE number according to § 6 para. 3  
ElektroG: 40951076

**Safety warnings**

- / Before initial operation, please make sure to follow all safety instructions that may be provided in the product information.
- / Never use these devices in applications where the safety of a person depends on their functionality.