

MZA70155

Magnetic field sensors • Sensors for T-slot

sensor magnetic, cylinder, 6.2mm T-groove, 16x20x9,2mm, 10-30V DC, -25-100°C, 1x PNP NO, Connector M8 3pin, IP67, Zinc die-cast, 2.8mT, mounting From the top, Sensor surface position Border area of the device



For many tasks in the field of automation technology, it is necessary to recognize the motional processes in pneumatic and hydraulic cylinders and to detect the position of the piston with precision. For this, magnetic cylinder sensors are used.

Electrical features

Number of switching outputs	1
Type of switching function	Normally open contact (NO)
Type of electrical connection	Connector M8
Type of switching output	PNP
Rated switching current	150 mA
Absolute hysteresis	1 mm
Short-circuit protection	Yes
No-load current	15 mA
Magnetic sensitivity	2.8 mT
Number of pins	3
Switching frequency	1000 Hz
Sensor surface (active)	Middle area
Voltage drop	2 V
Reverse polarity protection	Yes
Absolute repeat accuracy	0.1 mm
Operating voltage (DC)	10 - 30 V
ardSOCA_ElektrischerAnschluss	M8 3-pin plug connector

Mechanical features

Tightening torque	0.5 Nm
Design	Cuboid
Width	9.2 mm
Height	16.5 mm
Sensor surface position	Center of the device
Length	20 mm
Mounting access, cylinder groove	From the top
Degree of protection (IP)	IP67
Housing material	Zinc die-cast
Strong vibration / motion	Yes
Ambient temperature	-25 - 100 °C
ardSOCA_Abmessungen	20x9,2x16,5mm

Other features

Suitable for	6.2mm T-slot
Harsh environmental conditions	Yes
Oil and cooling lubricants	Yes

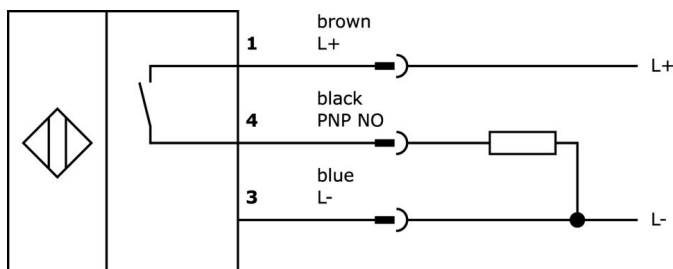
Classification

ETIM 8	EC002544 Magnetic proximity switch
--------	------------------------------------

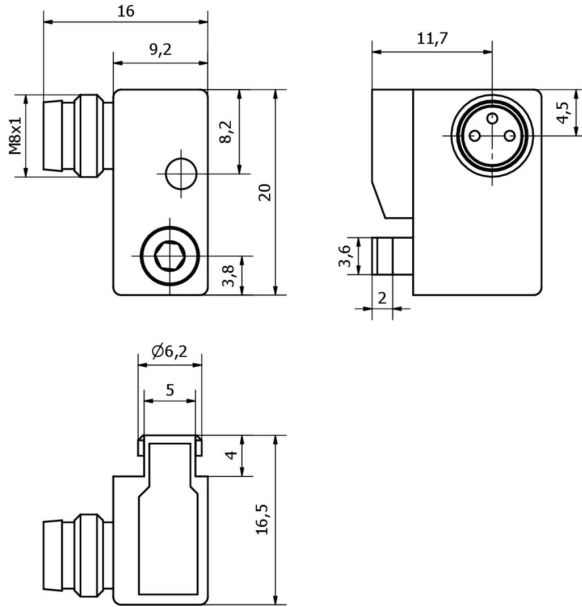
More

IPF Product Group	222 pneumatic cylinder sensors (high temperature)
packaging dimensions	120 x 100 x 17 mm
gross weight	20 g
Customs tariff number	85365019
WEEE number	40951076
Reach-compliant	Yes
RoHS-compliant	Yes

Connection



Dimensional drawing



Extract accessories program

VY030170



time stage, Turn-off delay, 0-0.15s,
10-35V DC, 1x NO, M8 3pin 0.3m,
IP67, Plastic, Potentiometer

VY030174



time stage, Turn-off delay, 0-0.15s,
10-35V DC, 1x NO, M8 3pin 0.3m,
IP67, Plastic, Potentiometer

VY000004



DC power supply, sensor tester,
120x26x72mm, 18V, 0.04A, Spring
clamp connection 4pin, IP20,
Plastic

AY98C293



accessories sensor, Teflon cap,
M8x1 5long,
Polytetrafluorethylene (PTFE)

VVR90270



Signal inversion, Ø9mm 32long,
10-35V DC, 1x NC, M8 0.3m, IP67,
Aluminum

VVR91170



Inverter, Ø9mm 32long, PNP/NPN,
10-35V DC, 1x NO, M8 0.3m, IP67,
Aluminum

NG530002



DC power supply, single-phase,
99x114x22mm, 24V, 0.1A,
Number of relay outputs 2, 100-
264V AC 50Hz, 100-264V AC 60Hz,
Screw connection, IP20, Plastic,
Stabilized, Output voltage, pulsed

VL300138



Logic module, 26x136x30mm, OR,
2x4fold, 10-30V DC, sensor side
M8 Female (socket) 3pin, control
side M12 Male (connector) 12pin,
IP67, Plastic

VL300148



Logic module, 26x136x30mm,
AND, 4fold, 10-30V DC, sensor side
M8 Female (socket) 3pin, control
side M12 Male (connector) 12pin,
IP67, Plastic, Signal change logic

You can find further accessories on our homepage



Installation

Mounting / installation may only be carried out by a qualified electrician!



Disposal

WEEE number according to § 6 para. 3
ElektroG: 40951076

Safety warnings

- / Before initial operation, please make sure to follow all safety instructions that may be provided in the product information.
- / Never use these devices in applications where the safety of a person depends on their functionality.