

MZA72175

Magnetic field sensors • Sensors for T-slot

sensor magnetic, cylinder, 6.2mm T-groove, 16x20x9,2mm, 10-30V DC, 1x PNP NO, Connector M8 3pin, IP67, Zinc die-cast, LED, 2.8mT, mounting From the top, Sensor surface position Border area of the device



For many tasks in the field of automation technology, it is necessary to recognize the motional processes in pneumatic and hydraulic cylinders and to detect the position of the piston with precision. For this, magnetic cylinder sensors are used.

Electrical features

Number of switching outputs	1
Display	LED display
Type of switching function	Normally open contact (NO)
Type of electrical connection	Connector M8
Type of switching output	PNP
Rated switching current	150 mA
Absolute hysteresis	1 mm
Short-circuit protection	No
No-load current	15 mA
Magnetic sensitivity	2.8 mT
Number of pins	3
Switching frequency	1000 Hz
Sensor surface (active)	Border area / edge area
Voltage drop	2 V
Reverse polarity protection	Yes
Absolute repeat accuracy	0.1 mm
Operating voltage (DC)	10 - 30 V
ardSOCA_ElektrischerAnschluss	M8 3-pin plug connector

Mechanical features

Tightening torque	0.5 Nm
Design	Cuboid
Width	9.2 mm
Height	16.5 mm
Sensor surface position	Device edge area below the connector
Length	20 mm
Mounting access, cylinder groove	From the top
Degree of protection (IP)	IP67
Housing material	Zinc die-cast
Strong vibration / motion	Yes
Ambient temperature	-25 - 70 °C
ardSOCA_Abmessungen	20x9,2x16,5mm

Other features

Suitable for	6.2mm T-slot
Harsh environmental conditions	Yes
Oil and cooling lubricants	Yes

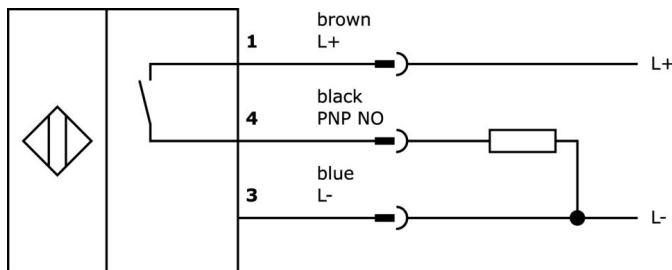
Classification

ETIM 8	EC002544 Magnetic proximity switch
--------	------------------------------------

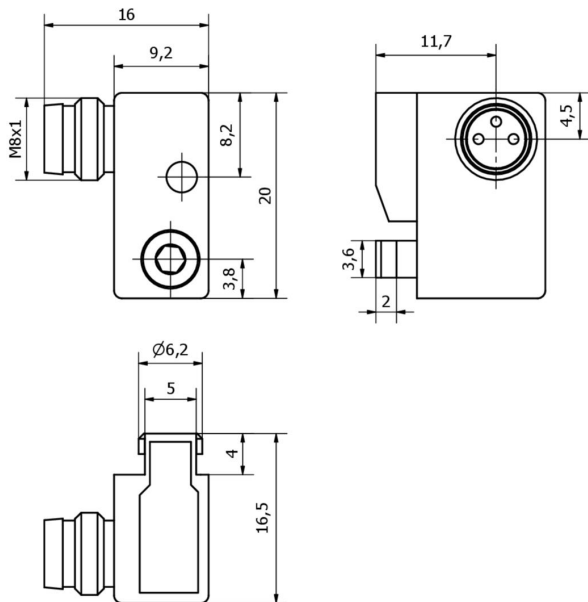
More

IPF Product Group	221 pneumatic cylinder sensors (low cost / reed)
packaging dimensions	120 x 100 x 17 mm
gross weight	13 g
Customs tariff number	85365019
WEEE number	40951076
Reach-compliant	Yes
RoHS-compliant	Yes

Connection



Dimensional drawing



Extract accessories program

VYR90270

Signal inversion, Ø9mm 32long, 10-35V DC, 1x NC, M8 0.3m, IP67, Aluminum

VYR91170

Inverter, Ø9mm 32long, PNP/NPN, 10-35V DC, 1x NO, M8 0.3m, IP67, Aluminum

VL300138

Logic module, 26x136x30mm, OR, 2x4fold, 10-30V DC, sensor side M8 Female (socket) 3pin, control side M12 Male (connector) 12pin, IP67, Plastic

VL300148

Logic module, 26x136x30mm, AND, 4fold, 10-30V DC, sensor side M8 Female (socket) 3pin, control side M12 Male (connector) 12pin, IP67, Plastic, Signal change logic

VK003070

Cable socket, Angular, Suitable for self-assembly, Soldering connection, Ø3.5-5mm, 4A, 60V, -40-85°C, M8 Female (socket) 3pin, IP67, Brass

VK003074

Cable socket, Straight, Suitable for self-assembly, Soldering connection, Ø3.5-5mm, 4A, 60V, -40-85°C, M8 Female (socket) 3pin, IP67, Brass

VY030170

time stage, Turn-off delay, 0-0.15s, 10-35V DC, 1x NO, M8 3pin 0.3m, IP67, Plastic, Potentiometer

VY030174

time stage, Turn-off delay, 0-0.15s, 10-35V DC, 1x NO, M8 3pin 0.3m, IP67, Plastic, Potentiometer

VK200071

Connection cable, 2m, M8 Female (socket) 3pin Angular, Free conductor end, 3x0.34mm², PUR (Polyurethane), Ø4.3mm, 60V, -40-90°C, IP67, TPU, Suitable for trailing chain and torsion resistant, Oil and cooling lubricants, Welding area, Silicone-free

You can find further accessories on our homepage

**Installation**

Mounting / installation may only be carried out by a qualified electrician!

**Disposal**

WEEE number according to § 6 para. 3
ElektroG: 40951076

Safety warnings

- / Before initial operation, please make sure to follow all safety instructions that may be provided in the product information.
- / Never use these devices in applications where the safety of a person depends on their functionality.