

MZR40158

Magnetic field sensors • Sensors for C-slot

Sensor Magnetic, cylinder, 3.75mm round groove, Ø3.6mm 20long, 10-30V DC, -25-130°C, 1x PNP NO, M8 cable connector 3-pin 0.3m PTFE, IP67, stainl. steel, 2.8mT, lateral installation, position of sensor surface at the edge of the device



For many tasks in the field of automation technology, it is necessary to recognize the motional processes in pneumatic and hydraulic cylinders and to detect the position of the piston with precision. For this, magnetic cylinder sensors are used.

Electrical features

Number of switching outputs	1
Type of switching function	Normally open contact (NO)
Type of electrical connection	Cable connector M8
Type of switching output	PNP
Rated switching current	150 mA
Absolute hysteresis	1 mm
Short-circuit protection	Yes
No-load current	15 mA
Magnetic sensitivity	2.8 mT
Number of pins	3
Switching frequency	1000 Hz
Sensor surface (active)	Border area / edge area
Voltage drop	2 V
Reverse polarity protection	Yes
Operating voltage (DC)	10 - 30 V

Mechanical features

Design	Cylinder plain
Diameter	3.6 mm
Cable length	0.3 m
Sensor surface position	Border area of the device
Length	20.5 mm
Mounting access, cylinder groove	Lateral
Degree of protection (IP)	IP67
Housing material	Stainless steel 1.4305
Material of cable sheath	Plastic (PTFE)
Strong vibration / motion	Yes
Ambient temperature	-25 - 130 °C
Ambient temperature of the connector	-25 - 70 °C

Other features

Suitable for	3.5mm C-slot (round groove)
Cylinder manufacturer	Festo
Harsh environmental conditions	Yes
Oil and cooling lubricants	Yes

Classification

ETIM 8	EC002544 Magnetic proximity switch
--------	------------------------------------

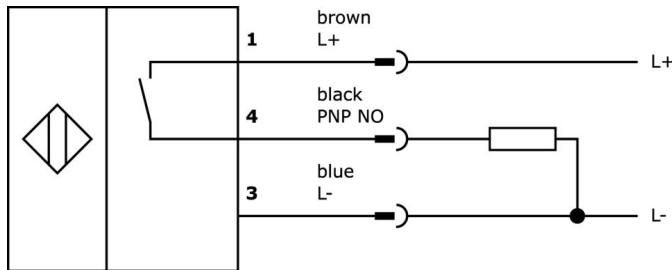
More

IPF Product Group	220 pneumatic cylinder sensors
packaging dimensions	120 x 100 x 17 mm
gross weight	20 g
Customs tariff number	85365019
WEEE number	40951076
Reach-compliant	Yes
RoHS-compliant	Yes

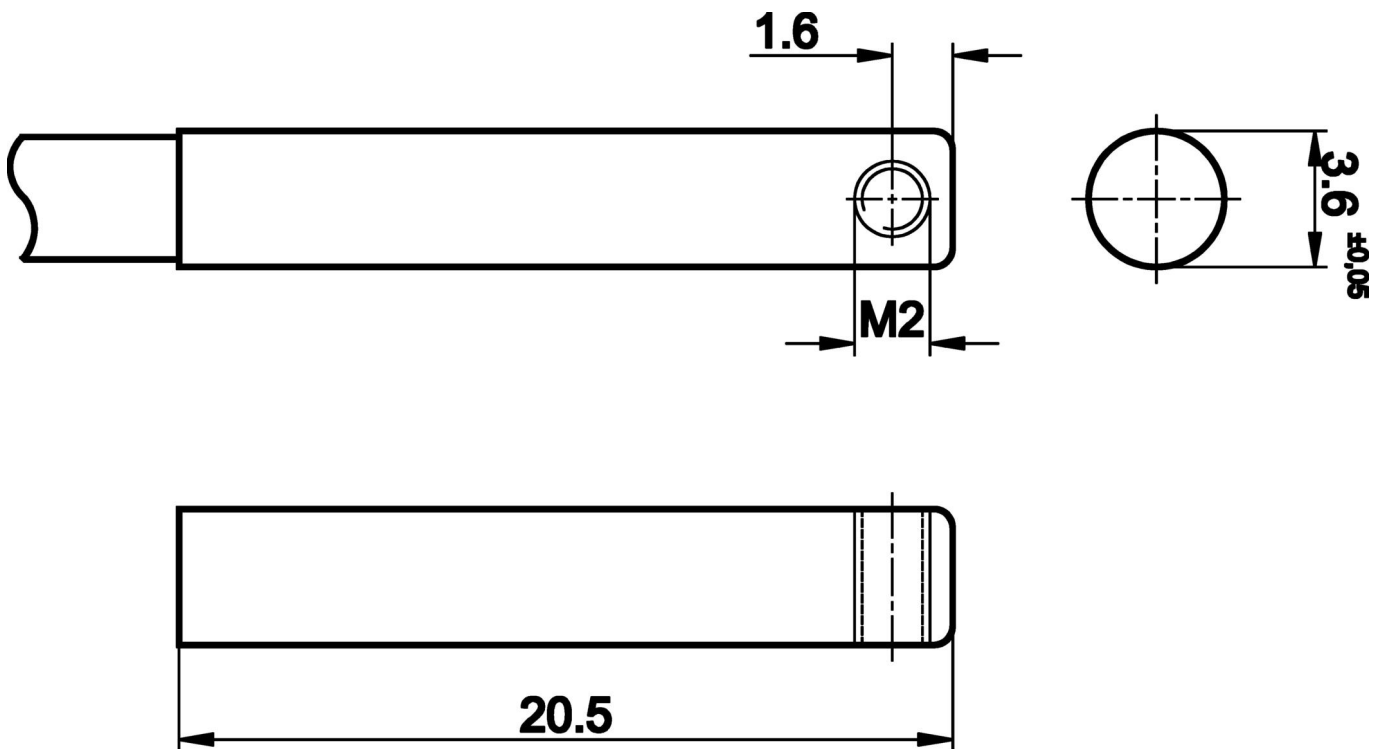
Important notes

/ The output electronics are located in the connector. Do not disconnect the connector!

Connection



Dimensional drawing



Extract accessories program

AV000142



accessories cable socket, Mounting clip, 8.5mm, PPO, Packaging unit 5, Accessories for Cable socket/connector M8

AM000081



accessories magnetic, Adapter, 5x20x4,6mm, Aluminum

AM000111



accessories magnetic, Clamp, Ø3, 6mm 6long, Metal

NG530002



DC power supply, single-phase, 99x114x22mm, 24V, 0.1A, Number of relay outputs 2, 100-264V AC 50Hz, 100-264V AC 60Hz, Screw connection, IP20, Plastic, Stabilized, Output voltage, pulsed

VY000004



DC power supply, sensor tester, 120x26x72mm, 18V, 0.04A, Spring clamp connection 4pin, IP20, Plastic

AY000154



Tool, Screwdriver set, Internal hexagon 0.7mm, Internal hexagon 0.9mm, Internal hexagon 1.3mm, Internal hexagon 1.5mm, Internal hexagon 2mm, Slot 1.5mm, Slot 2mm, Slot 2.5mm, Chromium steel

AY000141



Plastic sheath, Ø17mm, Inner diameter 10mm, -40-250°C, Glass fiber with silicone rubber, Short-term resistance to weld spatter 1200°C, Tensile strength 400N, Flexible, Flame retardant, yard good

VK200071



Connection cable, 2m, M8 Female (socket) 3pin Angular, Free conductor end, 3x0.34mm², PUR (Polyurethane), Ø4.3mm, 60V, -40-90°C, IP67, TPU, Suitable for trailing chain and torsion resistant, Oil and cooling lubricants, Welding area, Silicone-free

VK200075



Connection cable, 2m, M8 female (socket) 3pin Straight, free conductor end, 3x0.34mm², PUR (Polyurethane), Ø4.3mm, 60V, -30-90°C, IP67, suitable for trailing chain and torsion resistant, oil and cooling lubricants, welding area, Silicone-free

You can find further accessories on our homepage

**Installation**

Mounting / installation may only be carried out by a qualified electrician!

**Disposal**

WEEE number according to § 6 para. 3
ElektroG: 40951076

Safety warnings

- / Before initial operation, please make sure to follow all safety instructions that may be provided in the product information.
- / Never use these devices in applications where the safety of a person depends on their functionality.