

MZR42187

Magnetic field sensors • Sensors for C-slot

sensor magnetic, cylinder, 3.75mm rounded groove, Ø3,6mm 24long, 10-30V DC, -30-80°C, 1x PNP NO, Cable connector M8 3pin 0.3m PUR (Polyurethane), IP67, Plastic, LED, mounting From the top, Short travel path, Sensor surface position Border area of .

..



For many tasks in the field of automation technology, it is necessary to recognize the motional processes in pneumatic and hydraulic cylinders and to detect the position of the piston with precision. For this, magnetic cylinder sensors are used.

Electrical features

Number of switching outputs	1
Display	LED display
Type of switching function	Normally open contact (NO)
Type of electrical connection	Cable connector M8
Type of switching output	PNP
Rated switching current	100 mA
Short-circuit protection	Yes
No-load current	8 mA
Magnetic sensitivity	2.5 mT
Number of pins	3
Switching frequency	1000 Hz
Sensor surface (active)	Border area / edge area
Voltage drop	2 V
Reverse polarity protection	Yes
Absolute repeat accuracy	0.1 mm
Operating voltage (DC)	10 - 30 V

Mechanical features

Number of cores	3
Conductor cross-section	0.09 mm ²
Design	Cylinder plain
Width	2.9 mm
Diameter	3.6 mm
Height	4.7 mm
Cable length	0.3 m
Sensor surface position	Border area of the device
Length	23.7 mm
Mounting access, cylinder groove	From the top
Degree of protection (IP)	IP67
Housing material	Plastic
Material of cable sheath	Plastic (PUR)
Strong vibration / motion	Yes
Ambient temperature	-30 - 80 °C

Other features

Features	short crossing distance
Suitable for	3.5mm C-slot (round groove)
Cylinder manufacturer	Festo
Harsh environmental conditions	Yes
Oil and cooling lubricants	Yes

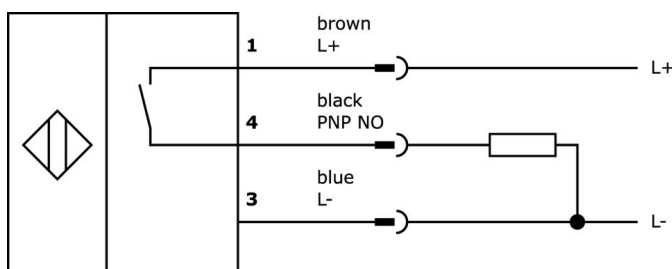
Classification

ETIM 8	EC002544 Magnetic proximity switch
--------	------------------------------------

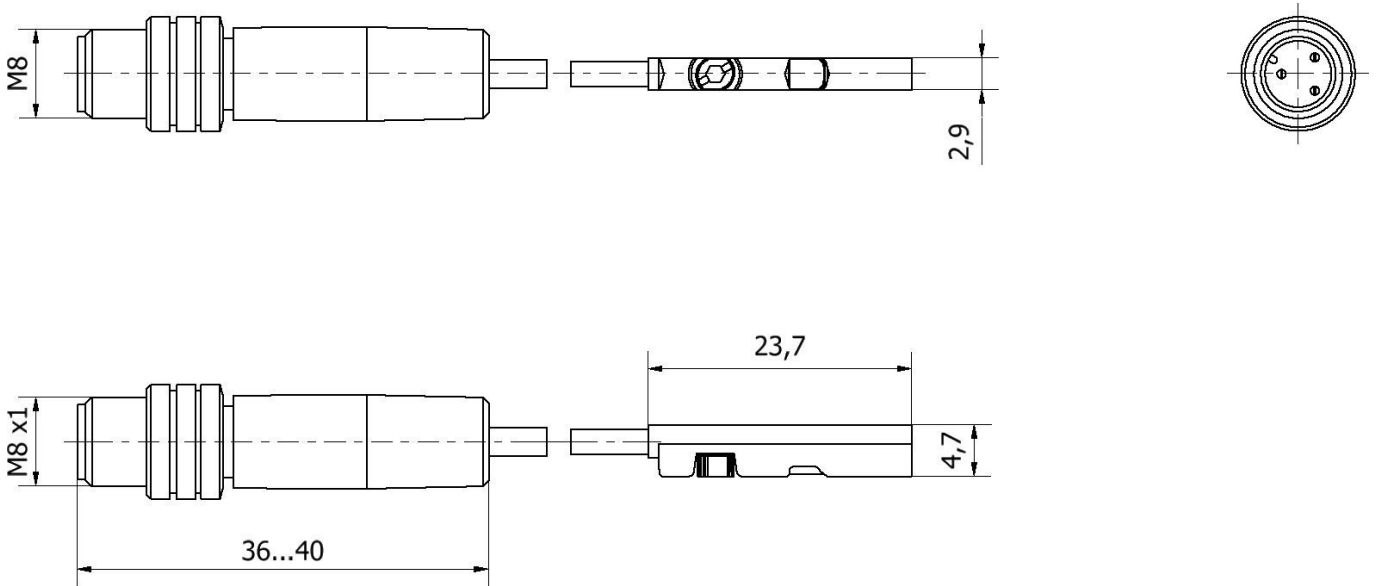
More

IPF Product Group	220 pneumatic cylinder sensors
packaging dimensions	285 x 150 x 10 mm
gross weight	12 g
Customs tariff number	85365019
WEEE number	40951076
OzDS-compliant	Yes
POP-compliant	Yes
Reach-compliant	Yes
RoHS-compliant	Yes

Connection



Dimensional drawing



Extract accessories program

AY000141



Plastic sheath, Ø17mm, Inner diameter 10mm, -40-250°C, Glass fiber with silicone rubber, Short-term resistance to weld spatter 1200°C, Tensile strength 400N, Flexible, Flame retardant, yard good

VK200271



Connection cable, 2m, M8 Female (socket) 3pin Angular, Free conductor end, 3x0.34mm², PUR (Polyurethane), Ø4.3mm, -30-90°C, IP67, With LED display, Suitable for trailing chain and torsion resistant, Oil and cooling lubricants, Welding area, Silico...

VK500271



Connection cable, 5m, M8 Female (socket) 3pin Angular, Free conductor end 3pin, 3x0.34mm², PUR (Polyurethane), Ø4.3mm, -30-90°C, IP67, With LED display, Suitable for trailing chain and torsion resistant, Oil and cooling lubricants, Welding area, S...

NG530002



DC power supply, single-phase, 99x114x22mm, 24V, 0.1A, Number of relay outputs 2, 100-264V AC 50Hz, 100-264V AC 60Hz, Screw connection, IP20, Plastic, Stabilized, Output voltage, pulsed

AY000154



Tool, Screwdriver set, Internal hexagon 0.7mm, Internal hexagon 0.9mm, Internal hexagon 1.3mm, Internal hexagon 1.5mm, Internal hexagon 2mm, Slot 1.5mm, Slot 2mm, Slot 2.5mm, Chromium steel

VYR90270



Signal inversion, Ø9mm 32long, 10-35V DC, 1x NC, M8 0.3m, IP67, Aluminum

VYR91170



Inverter, Ø9mm 32long, PNP/NPN, 10-35V DC, 1x NO, M8 0.3m, IP67, Aluminum

VY000004



DC power supply, sensor tester, 120x26x72mm, 18V, 0.04A, Spring clamp connection 4pin, IP20, Plastic

AM000081



accessories magnetic, Adapter, 5x20x4,6mm, Aluminum

You can find further accessories on our homepage



Installation

Mounting / installation may only be carried out by a qualified electrician!



Disposal

WEEE number according to § 6 para. 3 ElektroG: 40951076

Safety warnings

- / Before initial operation, please make sure to follow all safety instructions that may be provided in the product information.
- / Never use these devices in applications where the safety of a person depends on their functionality.