

MZR90179

Magnetic field sensors • Sensors for pneumatic cylinders

Sensor Magnetic, cylinder, 9mm round, Ø9mm 29long, 10-30V DC, 1x PNP NO, M8 plug connector 3-pin, IP67, stainl. steel, LED, 2.8mT, position of sensor surface center of device



For many tasks in automation technology, it is necessary to recognize the movement processes in pneumatic and hydraulic cylinders and to precisely detect the position of the piston. This is where magnetic cylinder sensors are used, which are attached to the cylinders using adapters or directly from the outside.

Electrical features

Number of switching outputs	1
Display	LED display
Type of switching function	Normally open contact (NO)
Type of electrical connection	Connector M8
Type of switching output	PNP
Rated switching current	150 mA
Absolute hysteresis	1 mm
No-load current	15 mA
Magnetic sensitivity	2.8 mT
Number of pins	3
Switching frequency	1000 Hz
Sensor surface (active)	Middle area
Voltage drop	2 V
Absolute repeat accuracy	0.1 mm
Operating voltage (DC)	10 - 30 V
ardTEEL_Schutzfunktionen	Verpolungsschutz Kurzschlusschutz

Mechanical features

Design	Cylinder plain
Diameter	9 mm
Sensor surface position	Center of the device
Length	29 mm
Degree of protection (IP)	IP67
Housing material	Stainless steel
Ambient temperature	-25 - 75 °C
ardTEME_Umgebungsbestaendigkeiten	Öle Kühlschmiermittel starke Erschütterungen/ Bewegungen

Other features

Harsh environmental conditions	Yes
Version	For 9mm round

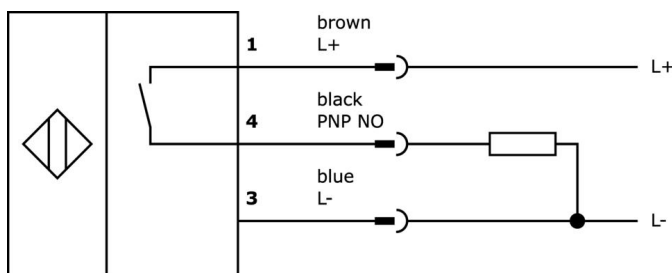
Classification

ETIM 8	EC002544 Magnetic proximity switch
--------	------------------------------------

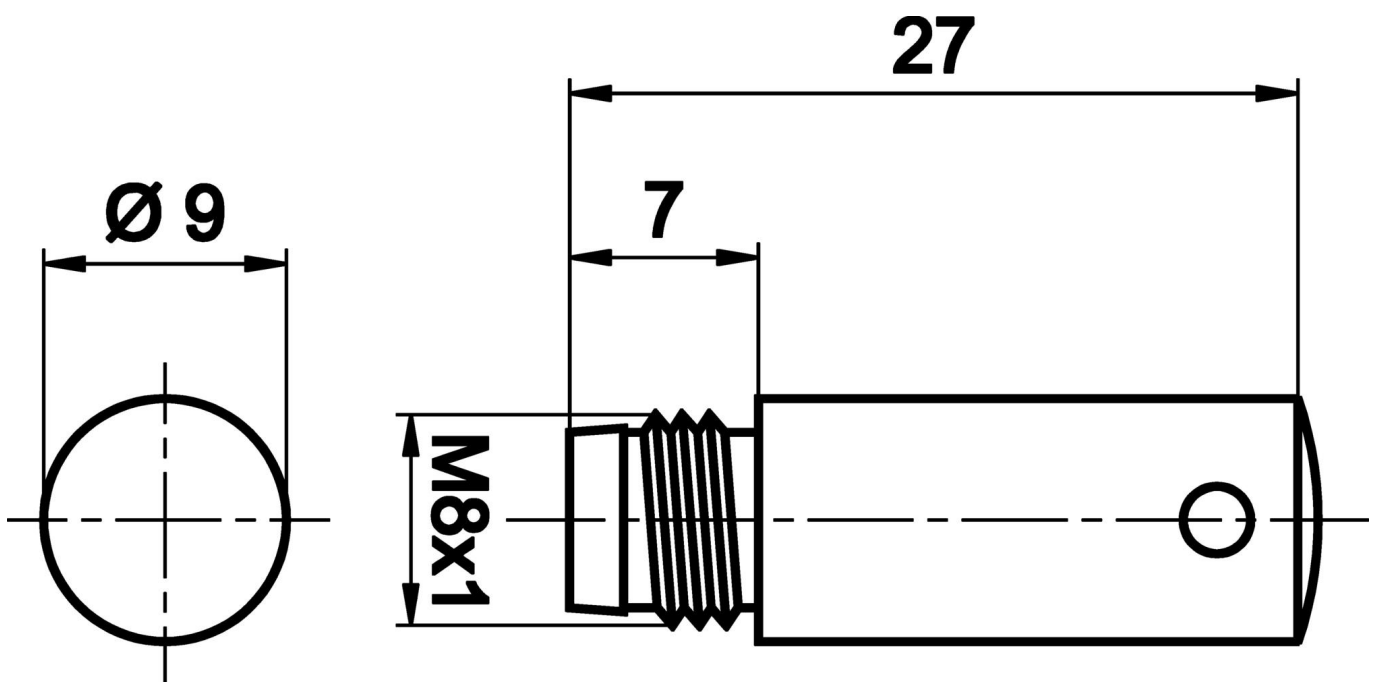
More

IPF Product Group	220 pneumatic cylinder sensors
packaging dimensions	120 x 100 x 17 mm
gross weight	10 g
Customs tariff number	85365019
WEEE number	40951076
Reach-compliant	Yes
RoHS-compliant	Yes

Connection



Dimensional drawing



Extract accessories program

NG530002



DC power supply, single-phase, 99x114x22mm, 24V, 0.1A, Number of relay outputs 2, 100-264V AC 50Hz, 100-264V AC 60Hz, Screw connection, IP20, Plastic, Stabilized, Output voltage, pulsed

VL300138



Logic module, 26x136x30mm, OR, 2x4fold, 10-30V DC, sensor side M8 Female (socket) 3pin, control side M12 Male (connector) 12pin, IP67, Plastic

VL300148



Logic module, 26x136x30mm, AND, 4fold, 10-30V DC, sensor side M8 Female (socket) 3pin, control side M12 Male (connector) 12pin, IP67, Plastic, Signal change logic

AY98C293



accessories sensor, Teflon cap, M8x1 5long, Polytetrafluorethylene (PTFE)

VY000004



DC power supply, sensor tester, 120x26x72mm, 18V, 0.04A, Spring clamp connection 4pin, IP20, Plastic

VY030170



time stage, Turn-off delay, 0-0.15s, 10-35V DC, 1x NO, M8 3pin 0.3m, IP67, Plastic, Potentiometer

VY030174



time stage, Turn-off delay, 0-0.15s, 10-35V DC, 1x NO, M8 3pin 0.3m, IP67, Plastic, Potentiometer

AY000154



Tool, Screwdriver set, Internal hexagon 0.7mm, Internal hexagon 0.9mm, Internal hexagon 1.3mm, Internal hexagon 1.5mm, Internal hexagon 2mm, Slot 1.5mm, Slot 2mm, Slot 2.5mm, Chromium steel

VK030F80



Connection cable, 0.3m, M8 socket 3-pin angular, M12 connector 3-pin straight, 3x0.34mm², PUR (polyurethane), 60V, IP67, suitable for trailing chain and torsion resistant, oils and cooling lubricants, welding area, silicone-free

You can find further accessories on our homepage



Installation

Mounting / installation may only be carried out by a qualified electrician!



Disposal

WEEE number according to § 6 para. 3 ElektroG: 40951076

Safety warnings

/ Before initial operation, please make sure to follow all safety instructions that may be provided in the product information.

/ Never use these devices in applications where the safety of a person depends on their functionality.