

## NG520201

### Power supplies • Switching power supply units 230V AC

DC power supply, single-phase, 90x58x52mm, 21.6-29V, 2.5A, 85-264V AC 50Hz, 85-264V AC 60Hz, 120-370V DC, Screw connection, IP20, Plastic, Stabilized, Output voltage, pulsed



Pulsed power supplies are used to supply electrical systems or system parts with a stabilized DC voltage. Due to the lower copper losses, pulsed power supplies in the lower power range are considerably more efficient than power transformers. Furthermore, they are more compact and are lighter weight than conventional, linear regulated power supplies, which contain a heavy transformer with iron core and cause additional losses in the linear regulator.

#### Electrical features

Display	LED display
Type of electrical connection	Clamped terminal connection
Output voltage	21,6 - 29 V
Operating frequency	47 - 63 Hz
Setting procedure	Potentiometer
Power	60 W
Max. input current	0.8 A
Residual ripple	1 %
Ampacity	2.5 A
Overload protection	105 ... 160% of the output power
Operating voltage (AC 50Hz)	85 - 264 V
Operating voltage (AC 60Hz)	85 - 264 V
Operating voltage (DC)	120 - 370 V
Output functions	Switching point
Type of voltage stabilization	Clocked

#### Mechanical features

Width	52.5 mm
Weight	190 g
Height	90 mm
Storage temperature	-40 - 85 °C
Length	58.4 mm
Mounting method	Top hat rail
Degree of protection (IP)	IP20
Housing material	Plastic
Ambient temperature	-20 - 70 °C

**Other features**

Relative air humidity (non-condensing)	10 - 95 %
Stabilized	Yes

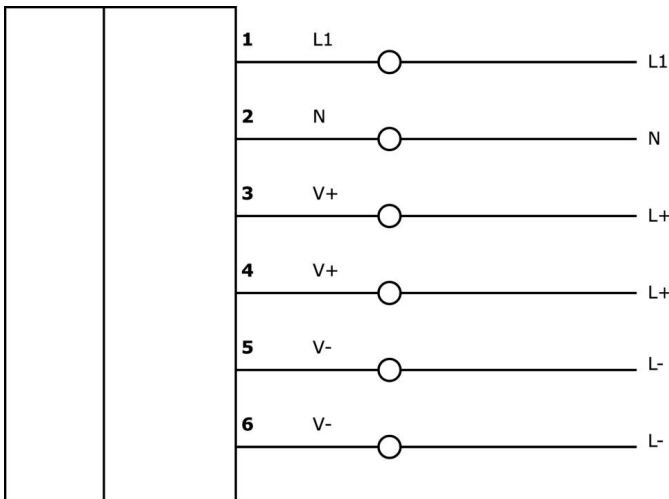
**Classification**

ETIM 8	EC002540 DC power supply
--------	--------------------------

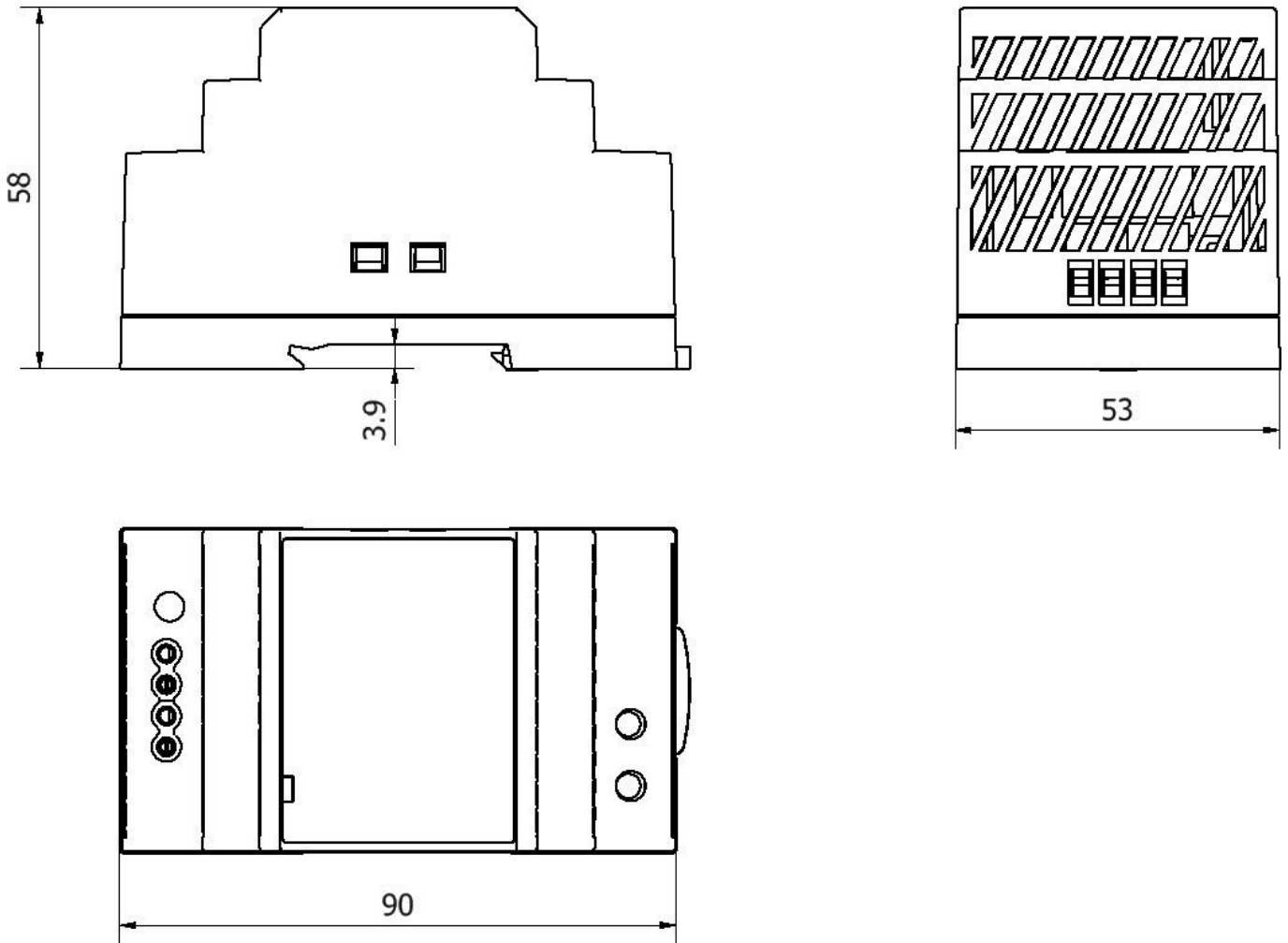
**More**

IPF Product Group	400 power supply units
packaging dimensions	100 x 60 x 65 mm
gross weight	21 g
Customs tariff number	85044083
WEEE number	40951076
POP-compliant	Yes
Reach-compliant	Yes
RoHS-compliant	Yes

**Connection**



**Dimensional drawing**



**Installation**

Mounting / installation may only be carried out by a qualified electrician!



**Disposal**

WEEE number according to § 6 para. 3  
ElektroG: 40951076

**Safety warnings**

/ Before initial operation, please make sure to follow all safety instructions that may be provided in the product information.

/ Never use these devices in applications where the safety of a person depends on their functionality.