

NG52F001

Power supplies • Switching power supply units 230V AC

DC power supply, 1-phase, 109x52x34mm, 24VDC, 2,5A, 85-305V AC 50Hz, screw connection, IP20, plastic, stabilized, output voltage pulsed



Pulsed power supplies are used to supply electrical systems or system parts with a stabilized DC voltage. Due to the lower copper losses, pulsed power supplies have a significantly higher efficiency in the lower power range than mains transformers. They can also be more compact and lighter in design than conventional linear regulated power supplies, which contain a heavy transformer with an iron core and cause additional losses in the linear regulator.

Electrical features

Type of electrical connection	Clamped terminal connection
Output voltage	24 V
Short-circuit protection	Yes
Power	60 W
Residual ripple	0.5 %
Ampacity	2.5 A
Overload protection	115...160% of power consumption
Operating voltage (AC 50Hz)	85 - 305 V
Type of voltage stabilization	Clocked

Mechanical features

Width	52 mm
Height	33.5 mm
Storage temperature	-40 - 85 °C
Length	109 mm
Mounting method	Direct mounting
Degree of protection (IP)	IP20
Housing material	Plastic
Ambient temperature	-30 - 70 °C

Other features

Relative air humidity (non-condensing)	10 - 95 %
Stabilized	Yes

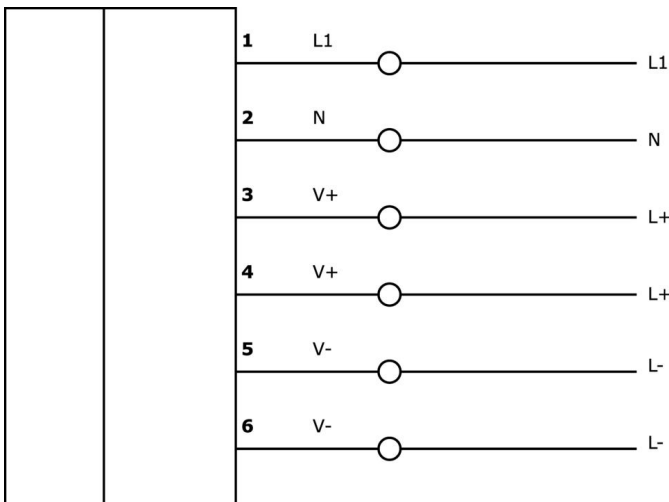
Classification

ETIM 8

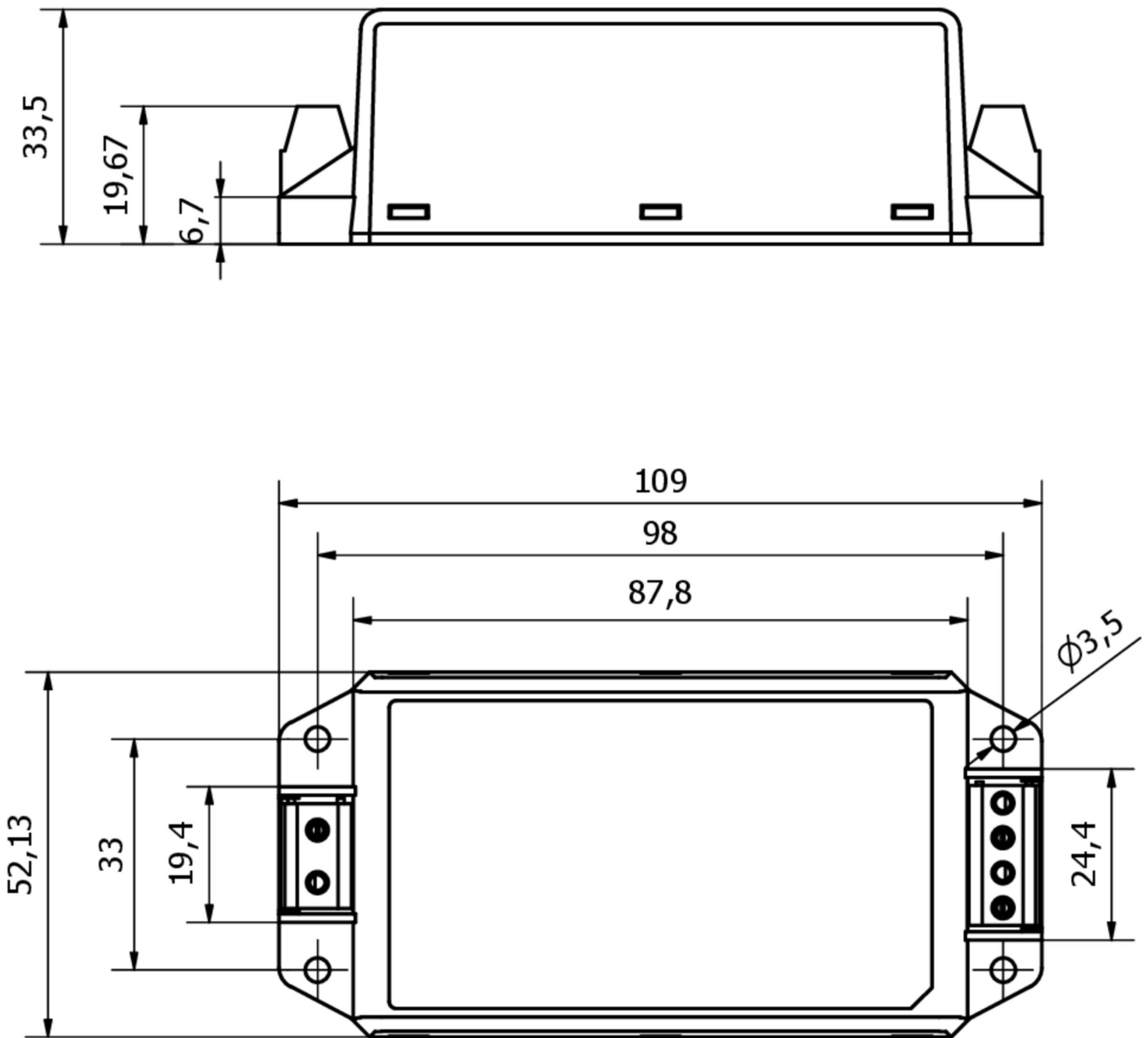
More

IPF Product Group	400 power supply units
packaging dimensions	115 x 60 x 40 mm
gross weight	216 g
Customs tariff number	85044083
WEEE number	40951076
POP-compliant	Yes
Reach-compliant	Yes
RoHS-compliant	Yes

Connection



Dimensional drawing



Installation

Mounting / installation may only be carried out by a qualified electrician!



Disposal

WEEE number according to § 6 para. 3 ElektroG: 40951076

Safety warnings

- / Before initial operation, please make sure to follow all safety instructions that may be provided in the product information.
- / Never use these devices in applications where the safety of a person depends on their functionality.