

## NG530002

### Power supplies • Switching power supply units 230V AC

DC power supply, single-phase, 99x114x22mm, 24V, 0.1A, Number of relay outputs 2, 100-264V AC 50Hz, 100-264V AC 60Hz, Screw connection, IP20, Plastic, Stabilized, Output voltage, pulsed



Pulsed power supplies are used to supply electrical systems or system parts with a stabilized DC voltage. Due to the lower copper losses, pulsed power supplies in the lower power range are considerably more efficient than power transformers. Furthermore, they are more compact and are lighter weight than conventional, linear regulated power supplies, which contain a heavy transformer with iron core and cause additional losses in the linear regulator.

#### Electrical features

Number of relay outputs	2
Display	LED display
Type of switching function	Change-over contact (NO/NC)
Type of electrical connection	Clamped terminal connection
Output voltage	24 V
Rated switching current	6000 mA
Operating frequency	47 - 63 Hz
Power	2.4 W
Max. input current	0.05 A
Residual ripple	1 %
Ampacity	0.1 A
Overload protection	105 ... 160% of the output power
Operating voltage (AC 50Hz)	100 - 264 V
Operating voltage (AC 60Hz)	100 - 264 V

#### Mechanical features

Width	22.5 mm
Height	99 mm
Storage temperature	50 °C
Length	114.5 mm
Mounting method	Top hat rail
Degree of protection (IP)	IP20
Housing material	Plastic
Ambient temperature	50 °C

**Other features**

Relative air humidity (non-condensing)	20 - 90 %
Stabilized	Yes

**Classification**

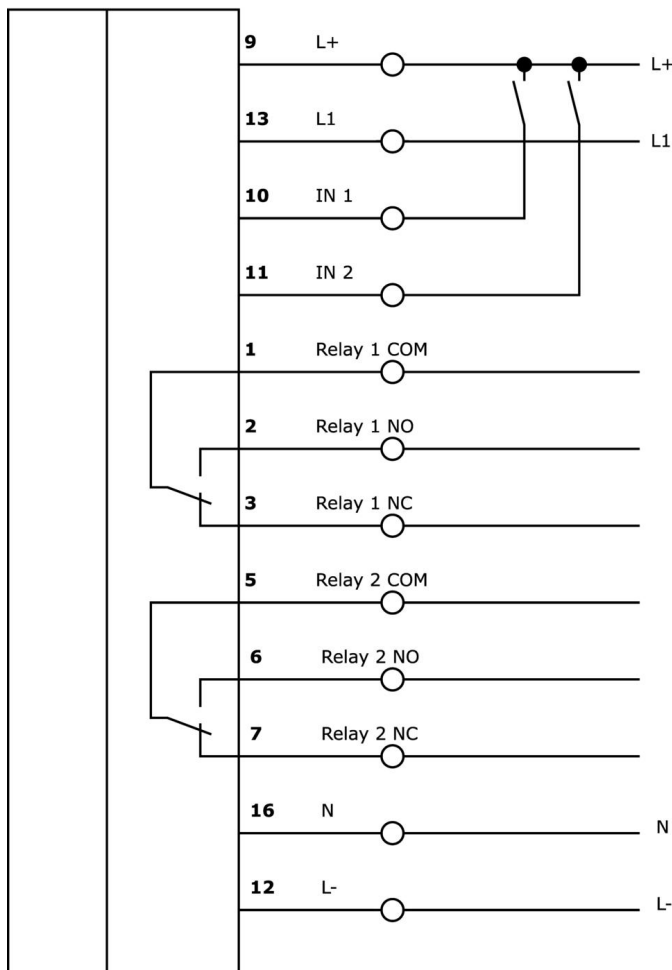
ETIM 8	EC002540 DC power supply
--------	--------------------------

**More**

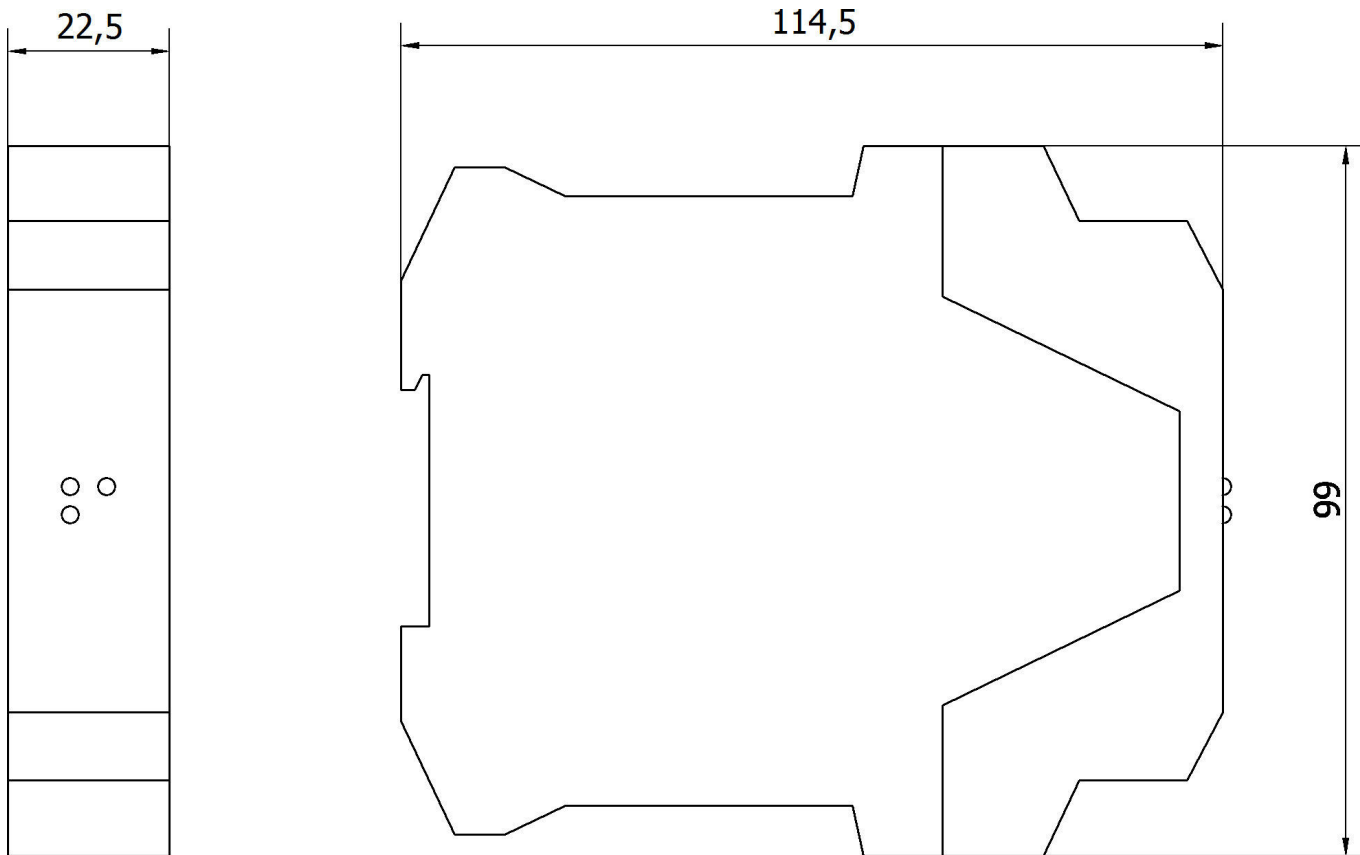
IPF Product Group	400 power supply units
packaging dimensions	149 x 124 x 28 mm
gross weight	175 g
Customs tariff number	85044083
WEEE number	40951076
Reach-compliant	Yes
RoHS-compliant	Yes

**Connection**

**Connection part 1**



**Dimensional drawing**



**Extract accessories program**

**NG530002**



DC power supply, single-phase,  
 99x114x22mm, 24V, 0.1A,  
 Number of relay outputs 2, 100-  
 264V AC 50Hz, 100-264V AC 60Hz,  
 Screw connection, IP20, Plastic,  
 Stabilized, Output voltage, pulsed

You can find further accessories on our homepage



**Installation**

Mounting / installation may only be carried out by a qualified electrician!



**Disposal**

WEEE number according to § 6 para. 3  
 ElektroG: 40951076

**Safety warnings**

/ Before initial operation, please make sure to follow all safety instructions that may be provided in the product information.

/ Never use these devices in applications where the safety of a person depends on their functionality.