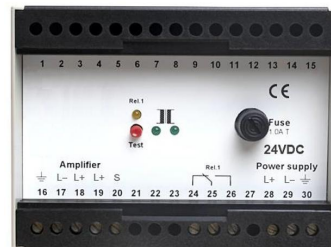


NY98F001

Power supplies • Ballast

DC power supply, 100x75x110mm, 24V DC, screw connection, IP20, relay, plastic



This mains isolator is connected between the power supply and the IV98F001 amplifier for metal detector coils. It limits voltage and current amplitudes so that the amplifier's fuse cannot respond. It is used where there is no overvoltage protection, where the power supply is provided by unregulated power supply units or where larger inductances, e.g. motors, are switched on directly. The mains isolator also acts as an EMC filter and attenuates possible interference pulses coming from the mains. The voltage-free change-over contact is designed for connection to a control contactor and is not suitable for switching larger loads. The contact may be loaded with a maximum of 4A at 250V AC.

Electrical features

Number of relay outputs	1
Display	LED display
Type of switching function	Change-over contact (NO/NC)
Type of electrical connection	Clamped terminal connection
Output voltage	24 V
Rated switching current	4 mA
Power consumption	6 VA
Switching voltage AC	250 V
Operating voltage (DC)	19 - 30 V

Mechanical features

Design	Cuboid
Width	100 mm
Height	75 mm
Length	110 mm
Degree of protection (IP)	IP20
Housing material	Plastic
Ambient temperature	-25 - 60 °C

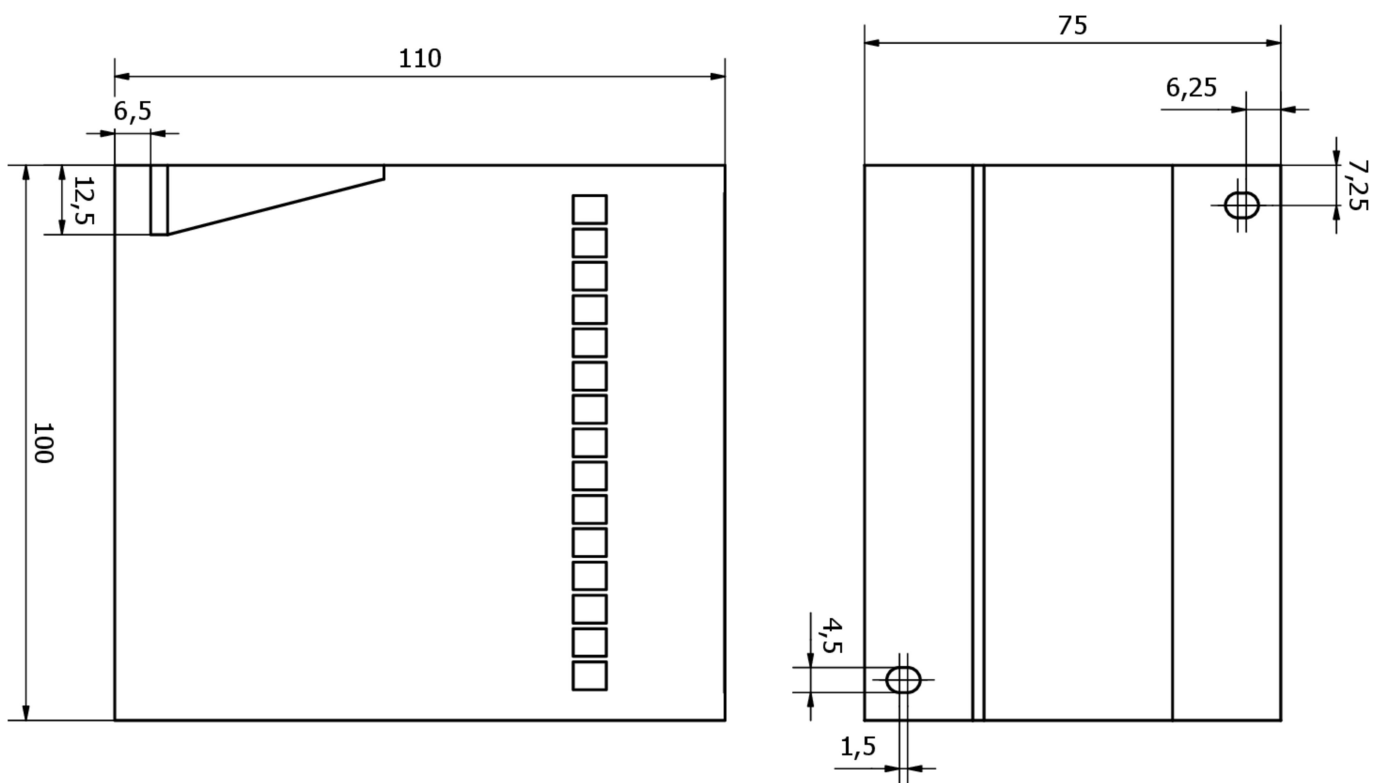
Classification

ETIM 8

More

IPF Product Group	400 power supply units
packaging dimensions	
gross weight	
Customs tariff number	85044083
WEEE number	40951076
Reach-compliant	Yes
RoHS-compliant	Yes

Dimensional drawing



Installation

Mounting / installation may only be carried out by a qualified electrician!



Disposal

WEEE number according to § 6 para. 3 ElektroG: 40951076

Safety warnings

/ Before initial operation, please make sure to follow all safety instructions that may be provided in the product information.

/ Never use these devices in applications where the safety of a person depends on their functionality.