

NZ12F001

Measuring transducer • Current transformer

Current transformer, 42x34x49mm, primary 120A, 2000:1, cable tail 3m PVC, plastic PA



Current transformer for IoT expansion module

Electrical features

Type of electrical connection	Cable
Operating frequency	50 - 60 Hz
Max. continuous current	144 A
Primary rated current I _n	120 A
Measuring range current	6 - 144 A
Division factor	2000:01:00

Mechanical features

Width	41.5 mm
Height	49 mm
Cable length	3 m
Storage temperature	-40 - 90 °C
Length	34 mm
Mounting method	Direct mounting
Material of cable sheath	Plastic (PVC)
Ambient temperature	-40 - 85 °C

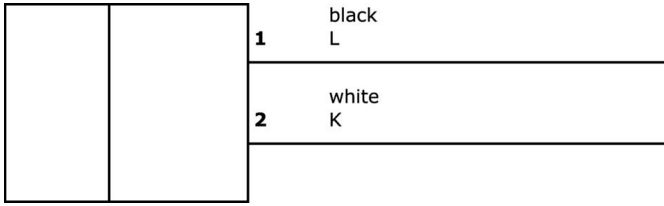
Classification

ETIM 8

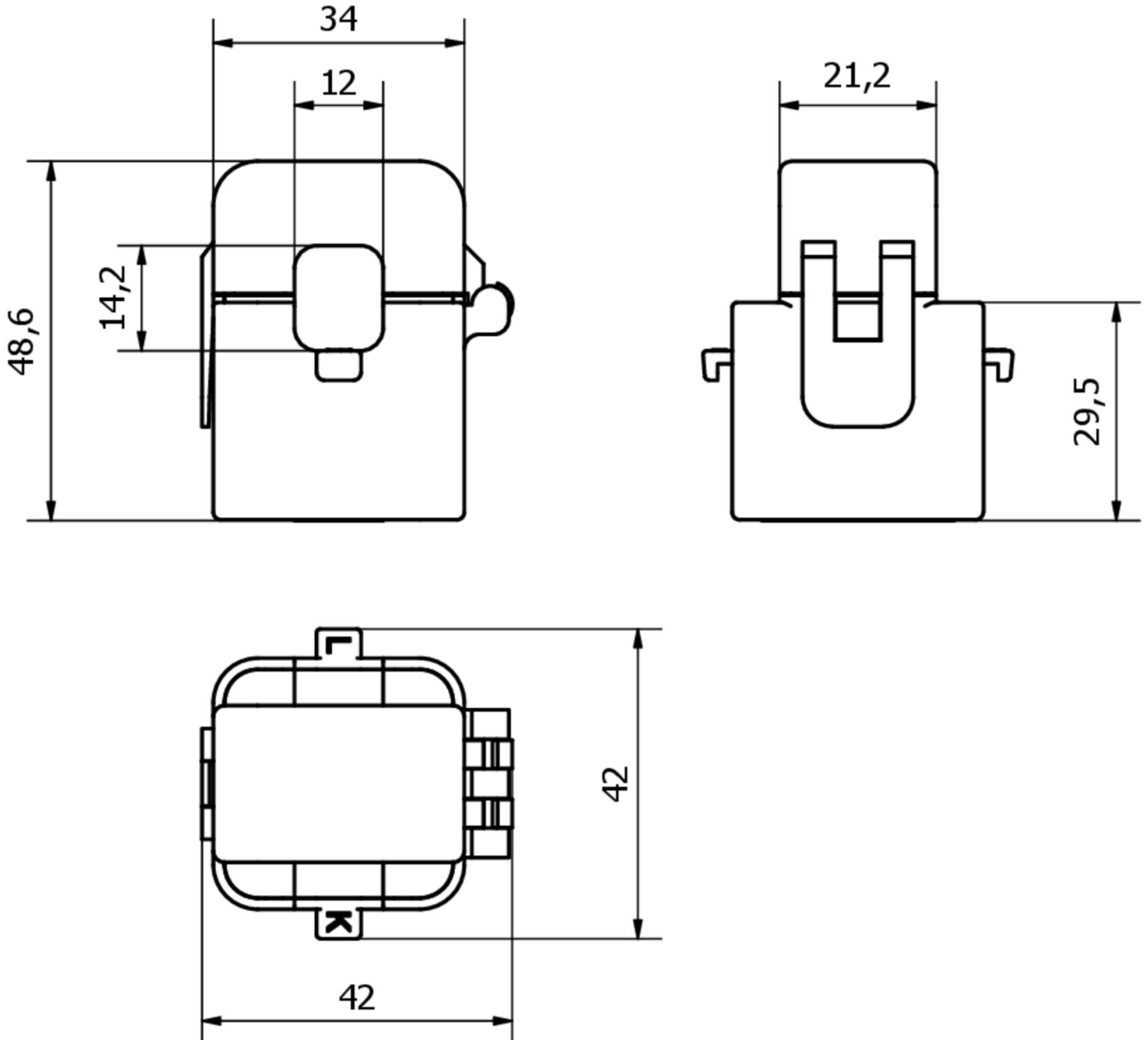
More

IPF Product Group	735 Gateway and accessories
packaging dimensions	120 x 170 x 50 mm
gross weight	155 g
Customs tariff number	85043129
WEEE number	40951076
Reach-compliant	Yes
RoHS-compliant	Yes

Connection



Dimensional drawing



Installation

Mounting / installation may only be carried out by a qualified electrician!



Disposal

WEEE number according to § 6 para. 3
ElektroG: 40951076

Safety warnings

- / Before initial operation, please make sure to follow all safety instructions that may be provided in the product information.
- / Never use these devices in applications where the safety of a person depends on their functionality.