

NZ36F001

Measuring transducer • Current transformer

Current transformer, 40x63x93mm, primary 600A, 3000:1, JST cable connector 2-pin 0.15m, plastic



Current transformer for IoT expansion module

Electrical features

Type of electrical connection	JST connector
Operating frequency	50 - 60 Hz
Max. continuous current	700 A
Primary rated current I _n	600 A
Measuring range current	1 - 600 A
Division factor	3000:1

Mechanical features

Width	63 mm
Height	93 mm
Cable length	0.15 m
Storage temperature	-30 - 60 °C
Length	40 mm
Mounting method	Direct mounting
Permitted cable diameter	36 mm
Ambient temperature	-20 - 60 °C

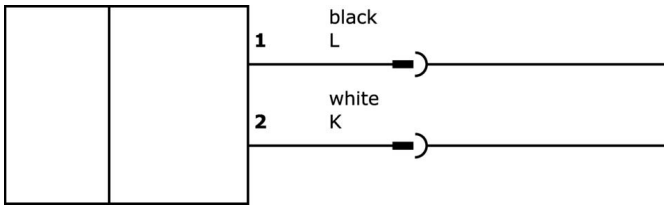
Classification

ETIM 8	
--------	--

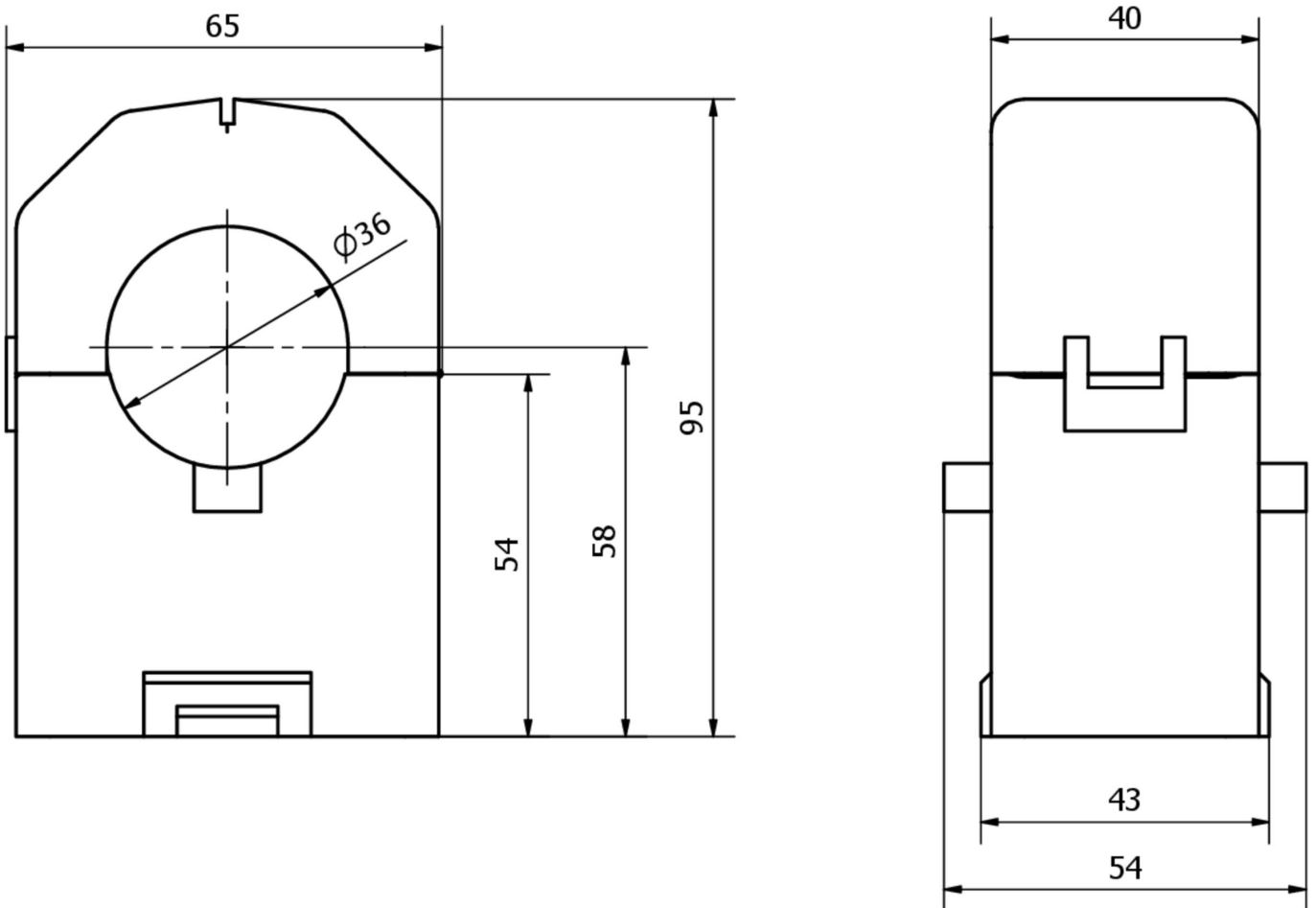
More

IPF Product Group	735 Gateway and accessories
packaging dimensions	74 x 74 x 143 mm
gross weight	572 g
Customs tariff number	85043129
WEEE number	40951076
RoHS-compliant	Yes

Connection



Dimensional drawing



Installation

Mounting / installation may only be carried out by a qualified electrician!



Disposal

WEEE number according to § 6 para. 3 ElektroG: 40951076

Safety warnings

/ Before initial operation, please make sure to follow all safety instructions that may be provided in the product information.

/ Never use these devices in applications where the safety of a person depends on their functionality.