

## NZ72T011

### Measuring transducer • Current transformer

Current transformer, 72x121x85mm, primary 1000A, 4-20mA, cable tail 2.5m, IP30, plastic



Current transformer with integrated measuring transformer. Output signal 4-20mA

#### Electrical features

Type of analog output	4 - 20mA
Type of electrical connection	Cable
Operating frequency	50 - 60 Hz
Primary rated current In	1000 A

#### Mechanical features

Width	72.2 mm
Height	120.6 mm
Cable length	2.5 m
Storage temperature	-25 - 70 °C
Length	85 mm
Mounting method	Direct mounting
Degree of protection (IP)	IP30
Housing material	Polyamide PA
Ambient temperature	-5 - 50 °C

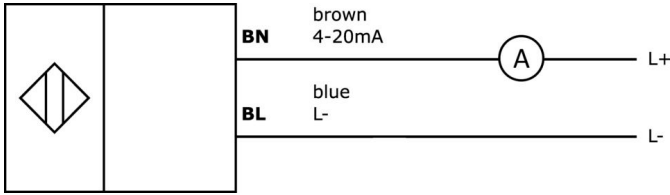
#### Classification

ETIM 8
--------

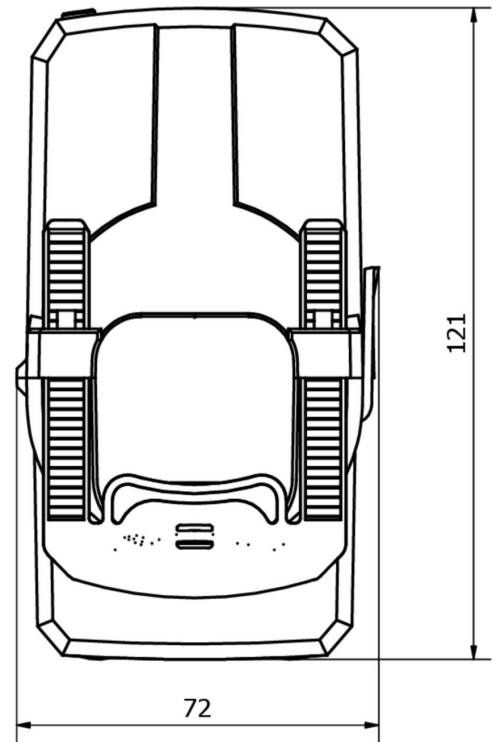
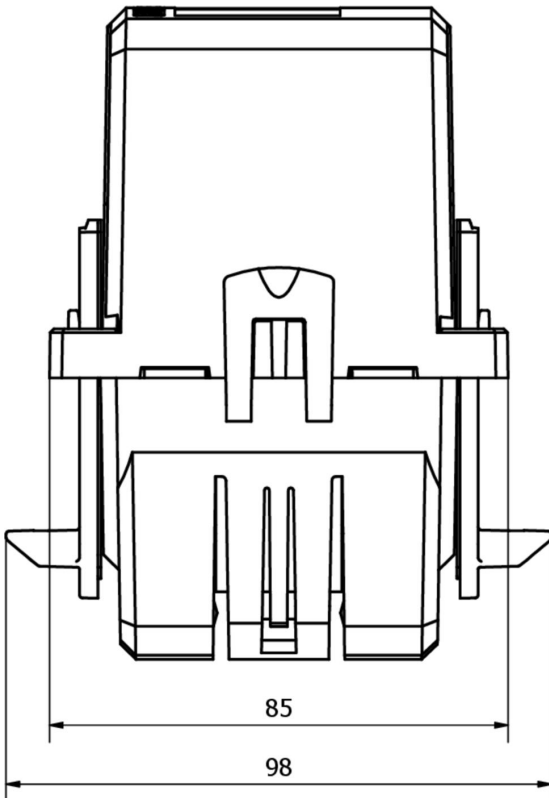
#### More

IPF Product Group	400 power supply units
packaging dimensions	205 x 125 x 89 mm
gross weight	889 g
Customs tariff number	85043129
WEEE number	40951076
RoHS-compliant	Yes

**Connection**



**Dimensional drawing**



**Installation**

Mounting / installation may only be carried out by a qualified electrician!



**Disposal**

WEEE number according to § 6 para. 3 ElektroG: 40951076

**Safety warnings**

- / Before initial operation, please make sure to follow all safety instructions that may be provided in the product information.
- / Never use these devices in applications where the safety of a person depends on their functionality.