

# OC299720

## Camera systems • High-speed

High-speed camera, black/white, 29x29x29mm, 750fps, CMOS(1/4"), 640x480, variable focal distance, 1x optocoupler programmable/configurable, USB-3.0-Micro-B 10pin, aluminum powder-coated, C-mount



### Electrical features

Number of digital outputs	1
Number of digital inputs	1
Number of switching outputs	1
Type of switching function	Programmable/configurable
Type of switching output	Optocoupler
Property picture system	Black and white
Setting procedure	Application software
No-load current	300mA
Power consumption	3VA
Measuring time for high speed	720fps
Number of pins	10
Type of plug-in contact, communication interface	Male (connector)
Type of plug-in connection, communication interface	USB 3.0 Micro-B, Powered
Number of pins of interface connection	6
Operating voltage (DC)	4,45 - 5,5V
For interchangeable lens (C-mount)	Yes

### Mechanical features

Width	29mm
Height	29mm
Length	48.2mm
Surface	With powder coating
Housing material	Aluminum
Ambient temperature	50°C

### Optical features

Resolution of image recorder	640x480px
Image recorder	CMOS(1/4")

**Other features**

Relative air humidity (non-condensing)	20 - 80%
Software version	V4.0

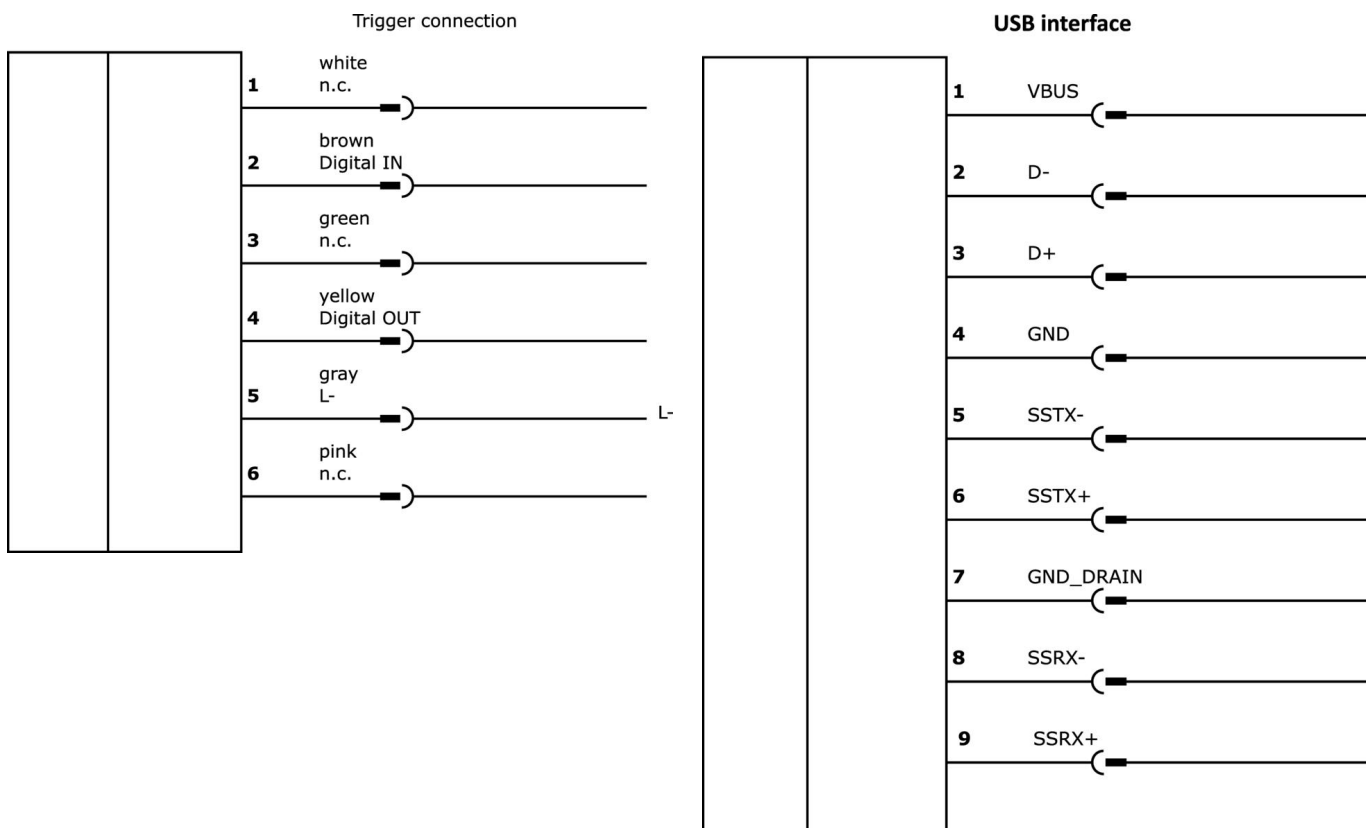
**Classification**

ETIM 8	EC001511 Camera for surveillance system
--------	---

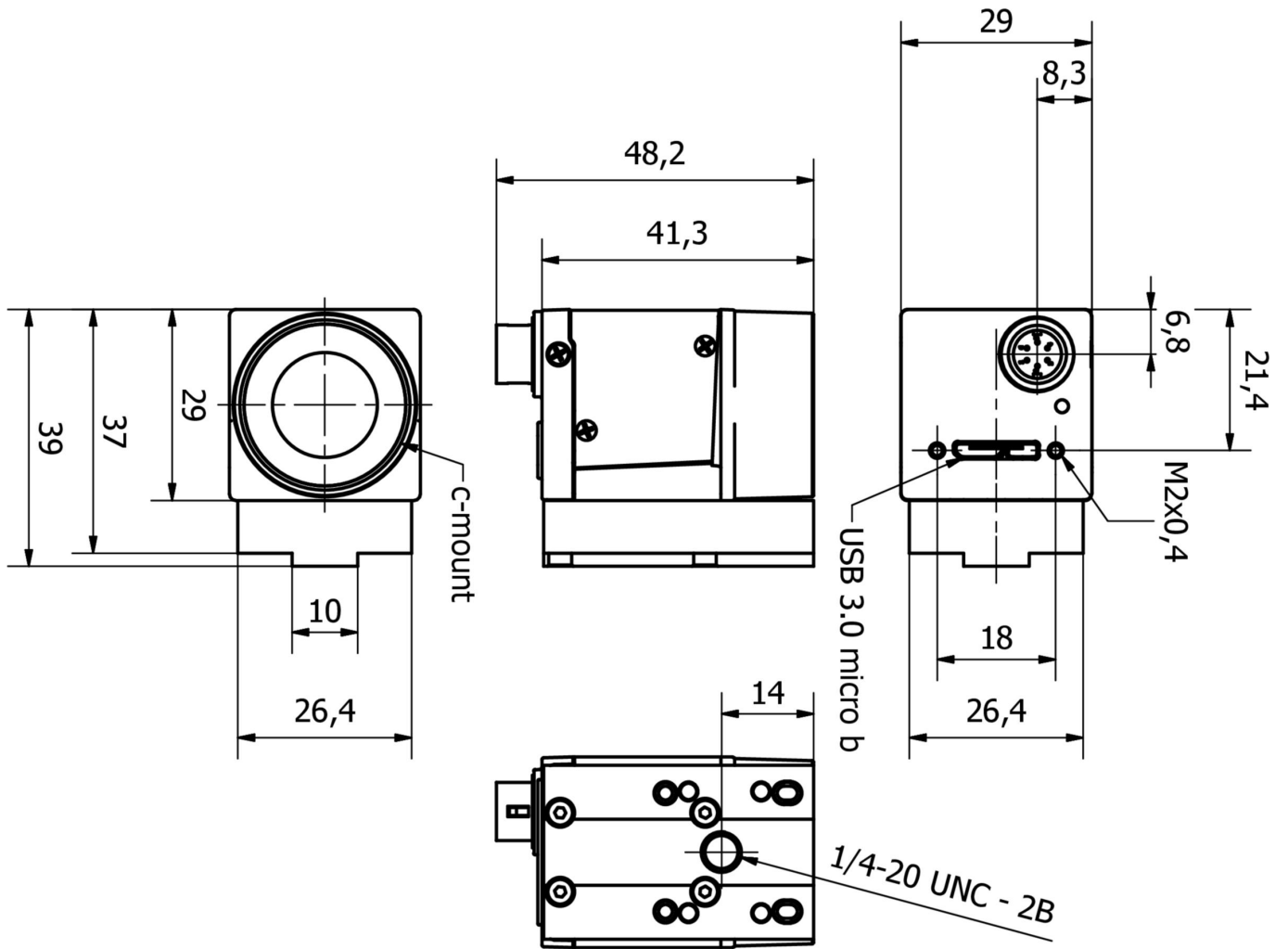
**More**

IPF Product Group	715 camera sensors
packaging dimensions	160 x 99 x 60 mm
gross weight	160 g
Customs tariff number	90314990
WEEE number	40951076
Reach-compliant	Yes
RoHS-compliant	Yes

**Connection**



**Dimensional drawing**



**Extract accessories program**

**AO000170**



accessories optical, Lens  
Entocentric, Ø30mm 30long, F1.4/  
6mm, Minimum distance 200mm,  
C-mount (1-32 UN 2A), filter  
thread M27x0.5, Up to 1.2  
megapixel, Focal distance Fixed

**AO000173**



accessories optical, Lens  
Entocentric, Ø31mm 30long, F1.4/  
4.5mm, Minimum distance  
200mm, C-mount (1-32 UN 2A),  
Up to 1.2 megapixel, Focal  
distance Fixed

**ESK00140**



LED incident light,  
100x100x65mm, white light, 24W,  
6000K, 10° angle of emitted beam,  
19-30V diagnostic coverage, M16  
cable connector 12-pin 0.15m,  
IP64, aluminum+PMMA

**ESK00141**



LED incident light,  
100x100x65mm, white light, 24W,  
6000K, 31° angle of emitted beam,  
19-30V diagnostic coverage, M16  
cable connector 12-pin 0.15m,  
IP64, aluminum+PMMA

**ES734240**



LED incident light, 73x68x44mm,  
white light, 65W, 10000lx, 6000K,  
12° angle of emitted beam, 230V  
AC, aluminum, on/off switch,  
boost mode

**ES684840**



LED spotlight, Ø68mm,  
green light, 8W,  
525nm, 12° angle of  
emitted beam, 230V  
AC, IP50, aluminum +  
acrylic lens

**VKA05A44**



Connection cable, 10m, Female  
(socket) 6pin Straight, Free  
conductor end, 6x0.14mm<sup>2</sup>, PVC  
Gray, Ø4.9mm, 350V, Shielded

**AO000563**



accessories optical, Adapter plate,  
10x41x29mm, Aluminum

**AO000568**



accessories optical, Adapter,  
23x300x31mm, Aluminum

You can find further accessories on our homepage

**Installation**



Mounting / installation may only be carried out by a  
qualified electrician!

**Disposal**



**Safety warnings**

**/** Before initial operation, please make sure to follow all safety instructions that may be provided in the product information.

**/** Never use these devices in applications where the safety of a person depends on their functionality.

**/** Any software, drivers or IODD files that may be required to operate your device can be downloaded free of charge from our homepage: [www.ipf-electronic.com](http://www.ipf-electronic.com)