

OC299725

Camera systems • High-speed

- / Significant time saving: optimized process analysis with little training required**
- / Intelligent additional functions: Sensor or PLC (programmable logic controller) actuate**
- / Observe + analyze processes in a targeted manner**



Quick availability: easy installation and plug & play connection
Easy to get started: user-friendly software

High-speed processes are the backbone of many industries, but with increased productivity comes challenges. Errors and interference that creep into fast-paced processes are often difficult to identify and can lead to costly downtime. The high-speed camera captures every detail at 720 frames per second with VGA resolution. The resulting video in 656 x 496 pixel resolution can be easily analyzed on a PC. You can adjust the playback speed individually to understand complex processes in detail. With various lenses available and the option to link to your system control, the software enables automatic start or stop processes for specific events. For optimum visibility in dark environments, we offer a selection of lighting accessories. The compact design of the camera allows it to be used in confined spaces. Our software not only enables recording control, but also image processing. Via a USB 3.1 interface, the images are streamed directly to the working memory or to an SSD hard disk for comprehensive process analysis.

Electrical features

Number of digital outputs	1
Number of digital inputs	1
Number of switching outputs	1
Type of switching function	Programmable/configurable
Type of switching output	Optocoupler
Property picture system	Black and white
Setting procedure	Application software
No-load current	300 mA
Power consumption	3 VA
Measuring time for high speed	720 fps
Number of pins	10
Type of plug-in contact, communication interface	Male (connector)
Type of plug-in connection, communication interface	USB 3.0 Micro-B, Powered
Number of pins of interface connection	6
Operating voltage (DC)	4,5 - 24 V
ardSOCA_ElektrischerAnschluss	10pole
ardSOCA_Betriebsspannung	5-24VDC

Mechanical features

Width	29 mm
Height	29 mm
Length	48.2 mm
Surface	With powder coating
Lens connection	C-mount (1-32 UN 2A)
Housing material	Aluminum
Ambient temperature	0 - 50 °C
ardSOCA_Abmessungen	48,2x29x29mm

Optical features

Resolution of image recorder	640x480 px
Image recorder	CMOS(1/4")

Other features

Relative air humidity (non-condensing)	20 - 80 %
Software version	V5.0
Version	Main system

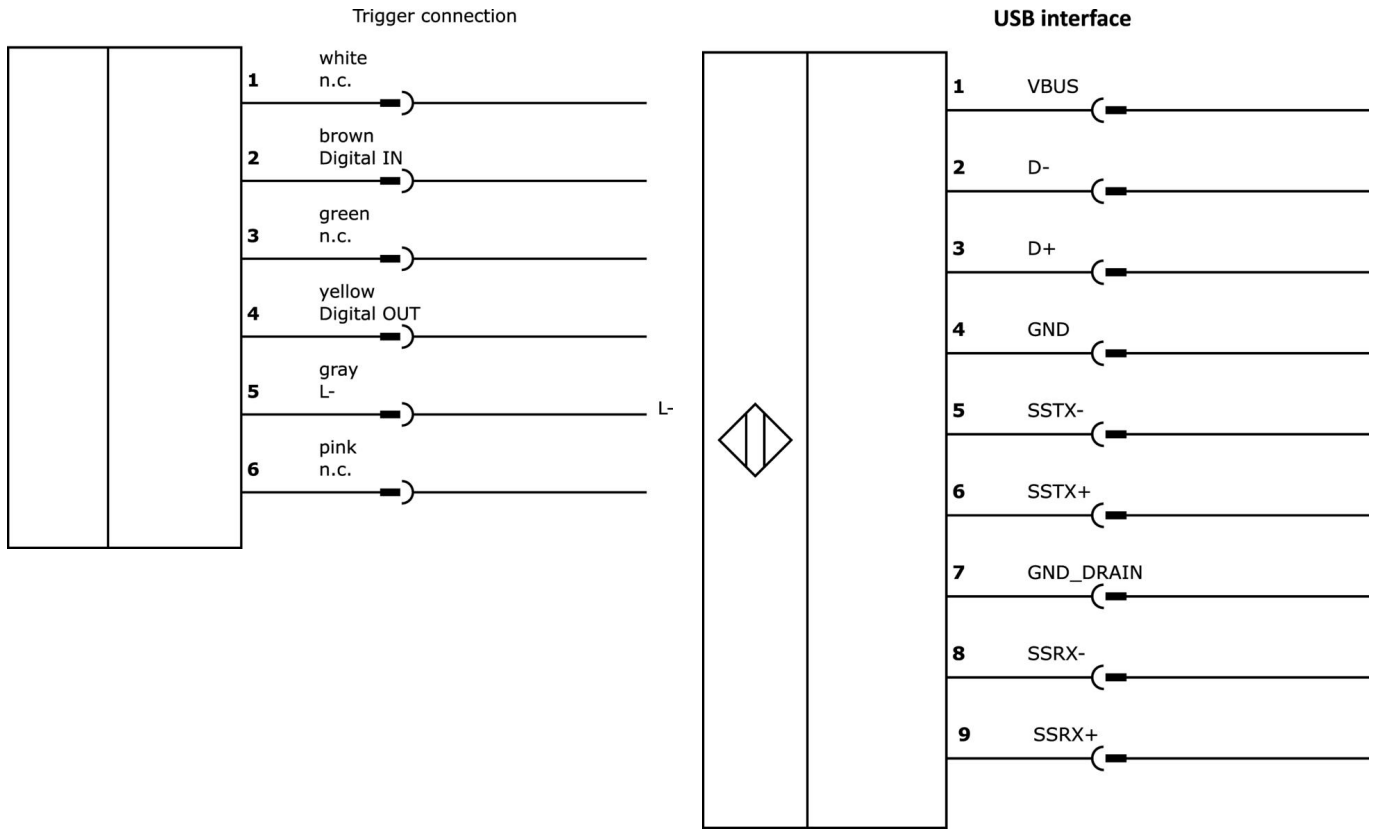
Classification

ETIM 8	EC001511 Camera for surveillance system
--------	---

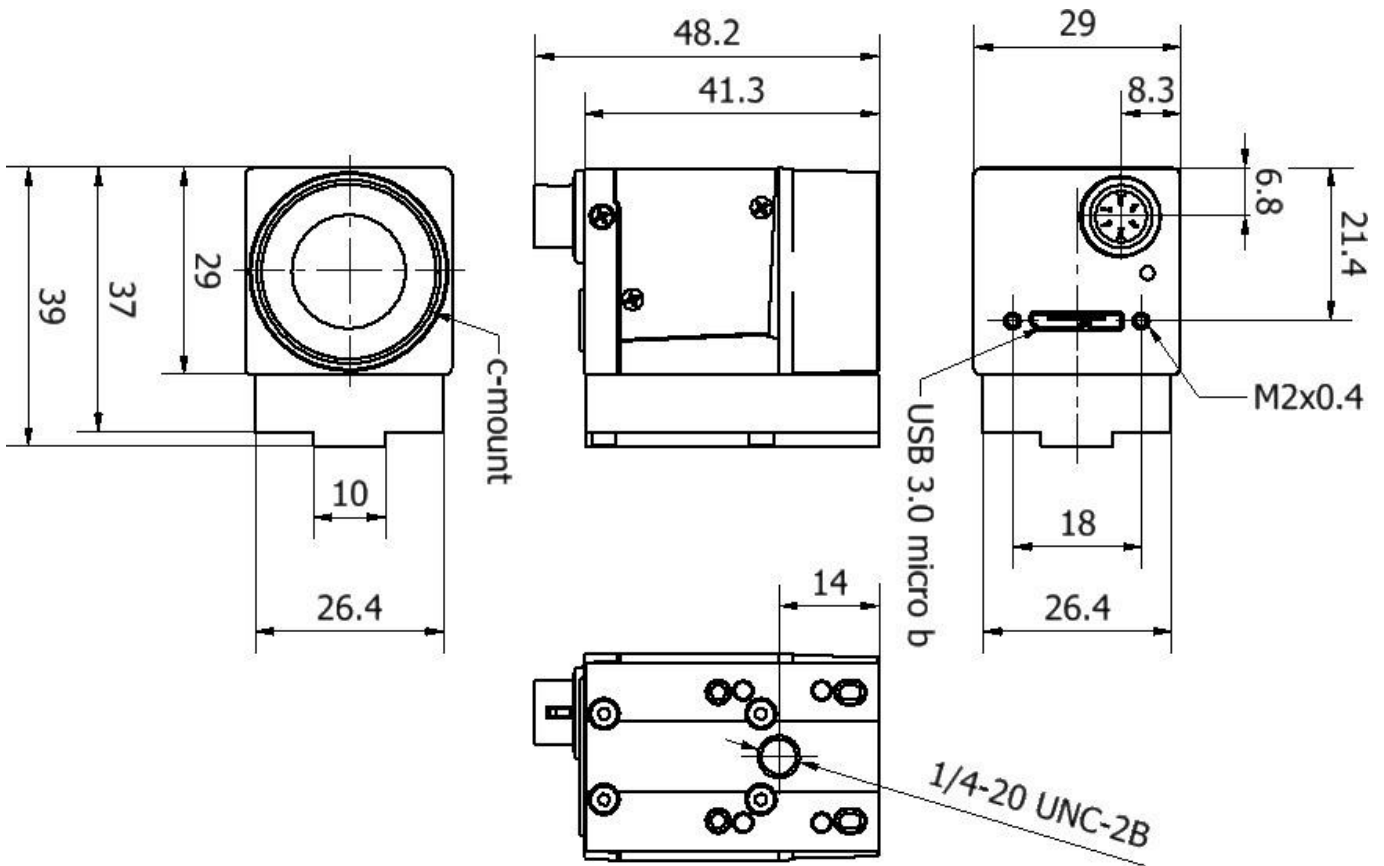
More

IPF Product Group	715 camera sensors
packaging dimensions	160 x 99 x 60 mm
gross weight	160 g
Customs tariff number	90314990
WEEE number	40951076
Reach-compliant	Yes
RoHS-compliant	Yes

Connection

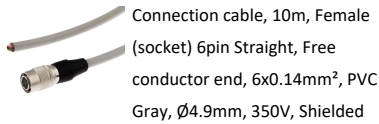


Dimensional drawing



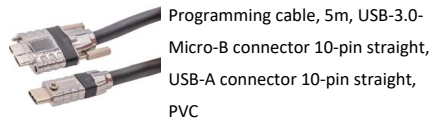
Extract accessories program

VKA05A44



Connection cable, 10m, Female (socket) 6pin Straight, Free conductor end, 6x0.14mm², PVC Gray, Ø4.9mm, 350V, Shielded

VK505F45



Programming cable, 5m, USB-3.0-Micro-B connector 10-pin straight, USB-A connector 10-pin straight, PVC

AO000568



accessories optical, Adapter, 23x300x31mm, Aluminum

AO000619



accessories optical, Lens Entocentric, F2.8/16mm, Minimum distance 110mm, C-mount (1-32 UN 2A), Aluminum+Glass, Up to 2 megapixel, Focal distance Fixed

ES540020



LED spotlight, 82x54x54 mm, white light, 5000K, 100000 lx, 43W, 24VDC, M12-connector 5-pin, IP20, aluminum+PMMA

AO000585



accessories optical, Lens Entocentric, Ø34mm 32long, F1.4/12mm, Minimum distance 150mm, C-mount (1-32 UN 2A), filter thread M30.5x0.5, Aluminum+Glass, Up to 2 megapixel, Focal distance Fixed

AO000578



accessories optical, Other, ball head joint, 50x50x31mm, Aluminum

AO000569



accessories optical, Case, 150x350x450mm, Aluminum

AO000671



Accessories High-speed camera, remote control, status LED

You can find further accessories on our homepage

**Installation**

Mounting / installation may only be carried out by a qualified electrician!

**Disposal**

WEEE number according to § 6 para. 3
ElektroG: 40951076

Safety warnings

- / Before initial operation, please make sure to follow all safety instructions that may be provided in the product information.
- / Never use these devices in applications where the safety of a person depends on their functionality.
- / Any software, drivers or IODD files that may be required to operate your device can be downloaded free of charge from our homepage: www.ipf-electronic.com