

# OC299820

## Camera systems • High-speed

High-speed camera, color, 29x29x29mm, 750fps, CMOS(1/4"), 640x480, focal distance variable, 1x optocoupler programmable/configurable, USB-3.0-Micro-B 10pin, aluminum powder-coated, C-mount



### Electrical features

Number of digital outputs	1
Number of digital inputs	1
Number of switching outputs	1
Type of switching function	Programmable/configurable
Type of switching output	Optocoupler
Property picture system	Color
Setting procedure	Application software
No-load current	300mA
Power consumption	3VA
Measuring time for high speed	720fps
Number of pins	10
Type of plug-in contact, communication interface	Male (connector)
Type of plug-in connection, communication interface	USB 3.0 Micro-B, Powered
Number of pins of interface connection	6
Operating voltage (DC)	4,45 - 5,5V
For interchangeable lens (C-mount)	Yes

### Mechanical features

Width	29mm
Height	29mm
Length	48.2mm
Surface	With powder coating
Housing material	Aluminum
Ambient temperature	50°C

### Optical features

Resolution of image recorder	640x480px
Image recorder	CMOS(1/4")

**Other features**

Relative air humidity (non-condensing)	20 - 80%
Software version	V4.0

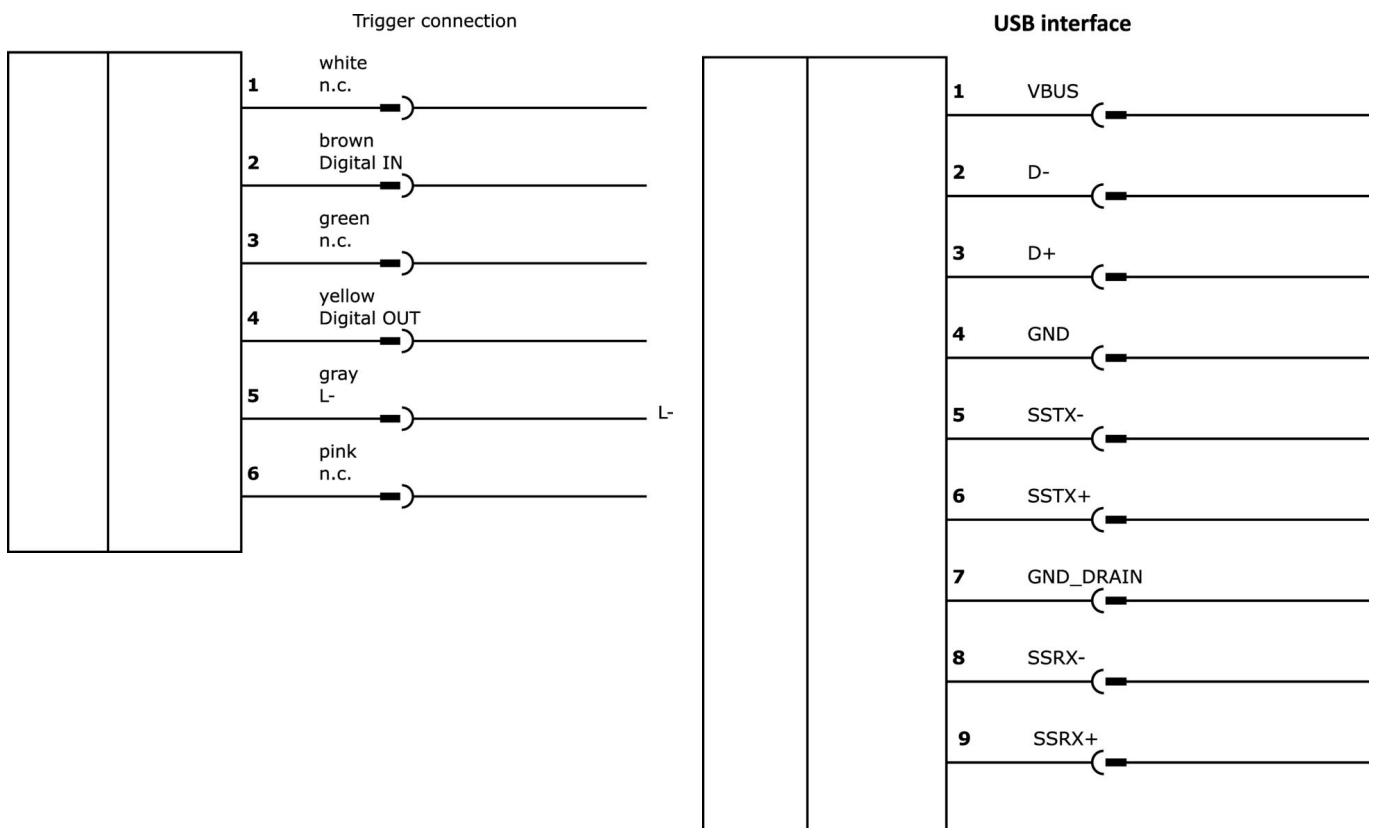
**Classification**

ETIM 8	EC001511 Camera for surveillance system
--------	---

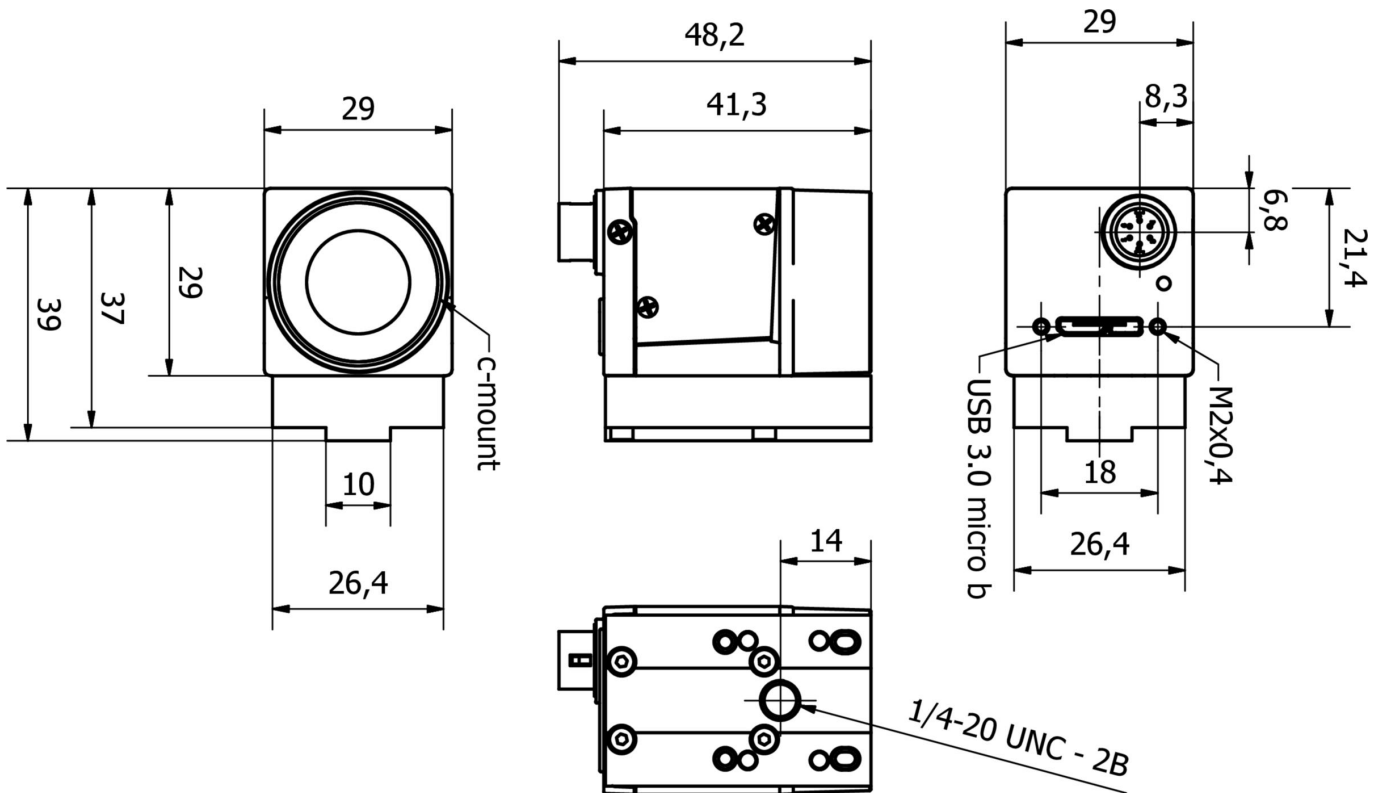
**More**

IPF Product Group	715 camera sensors
packaging dimensions	160 x 99 x 60 mm
gross weight	160 g
Customs tariff number	90314990
WEEE number	40951076
Reach-compliant	Yes
RoHS-compliant	Yes

**Connection**



**Dimensional drawing**



**Extract accessories program**

**VK805F44**

Programming cable, 8m, USB 3.0 Micro-B Male (connector) 9pin Straight, USB-A Male (connector) 9pin Straight, PVC

**VK805F45**

Programming cable, 8m, USB 3.0 Micro-B Male (connector) 9pin Straight, USB-A Male (connector) 9pin Straight, PVC

**VKA05A44**

Connection cable, 10m, Female (socket) 6pin Straight, Free conductor end, 6x0.14mm<sup>2</sup>, PVC Gray, Ø4.9mm, 350V, Shielded

**ESK00140**

LED incident light, 100x100x65mm, white light, 24W, 6000K, 10° angle of emitted beam, 19-30V diagnostic coverage, M16 cable connector 12-pin 0.15m, IP64, aluminum+PMMA

**ESK00141**

LED incident light, 100x100x65mm, white light, 24W, 6000K, 31° angle of emitted beam, 19-30V diagnostic coverage, M16 cable connector 12-pin 0.15m, IP64, aluminum+PMMA

**ES734240**

LED incident light, 73x68x44mm, white light, 65W, 100000lx, 6000K, 12° angle of emitted beam, 230V AC, aluminum, on/off switch, boost mode

**ES684840**

LED spotlight, Ø68mm, green light, 8W, 525nm, 12° angle of emitted beam, 230V AC, IP50, aluminum + acrylic lens

**AO000563**

accessories optical, Adapter plate, 10x41x29mm, Aluminum

**AO000568**

accessories optical, Adapter, 23x300x31mm, Aluminum

You can find further accessories on our homepage

---

**Installation**

Mounting / installation may only be carried out by a qualified electrician!

**Disposal**

---

**Safety warnings**

**/** Before initial operation, please make sure to follow all safety instructions that may be provided in the product information.

**/** Never use these devices in applications where the safety of a person depends on their functionality.

**/** Any software, drivers or IODD files that may be required to operate your device can be downloaded free of charge from our homepage: [www.ipf-electronic.com](http://www.ipf-electronic.com)