

OE150470

Optical sensors • Through-beam sensors receivers

Sensor Optical, through-beam sensor receiver, 30x30x15mm, Sn: 12m, 10-35V DC, PNP exclusive-OR, M8 connector, IP67, PBTP+glass, infrared light

including Fixing material, Nut, Screw, Washer



Optical sensors function contactlessly. They detect objects independent of their characteristics (e.g., shape, color, surface structure, material). The basic operating principle is based on the transmission and reception of light. There are three different versions: 1. The through-beam sensor consists of two separate devices, a transmitter and a receiver that are aligned with one another. If the light beam between the two devices is interrupted, the switching output integrated in the receiver changes its status. 2. With the retro-reflective sensor, the transmitter and receiver are located in one device. The emitted light beam is reflected back to the receiver by a reflector that is to be mounted opposite the device. As soon as the light beam is interrupted, the switching output integrated in the device changes its status. 3. With the diffuse reflection sensor, the transmitter and receiver are in one device. The emitted light beam is reflected by the object that is to be detected. As soon as the receiver detects the reflected light, the switching output integrated in the device changes its status.

Electrical features

Response/decay time	0.5 ms
Display	LED display
Type of switching function	Exclusive-OR
Type of electrical connection	Connector M8
Type of switching output	PNP
Rated switching current	200 mA
Readiness delay	100 ms
Setting procedure	Potentiometer
Short-circuit protection	Yes
No-load current	10 mA
No-load current, receiver	10 mA
Residual ripple	20 %
Switching distance	0 - 12000 mm
Switching frequency	1000 Hz
Voltage drop	2 V
Scanning function	Light-/dark-on mode
Reverse polarity protection	Yes
Decay time	0.5 ms
Operating voltage (DC)	10 - 35 V
Output functions	Switching point

Mechanical features

Design	Cuboid
Width	15 mm
Height	30 mm
Length	30 mm
Degree of protection (IP)	IP67
Active area material of sensor	glass
Housing material	PBT
Ambient temperature	-25 - 55 °C

Optical features

Light source	Infrared light
Light beam form	Point
Wavelength of the sensor	880 nm

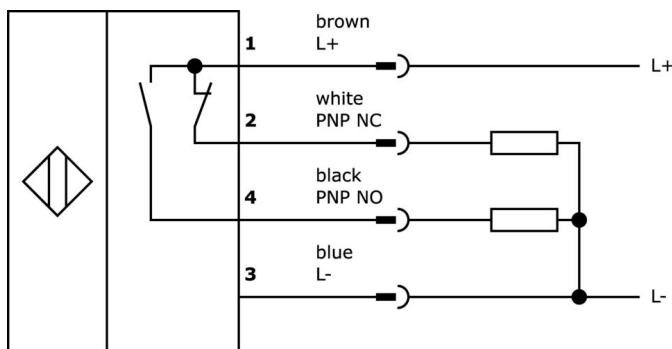
Classification

ETIM 8	EC002716 Through-beam photoelectric sensor
--------	--

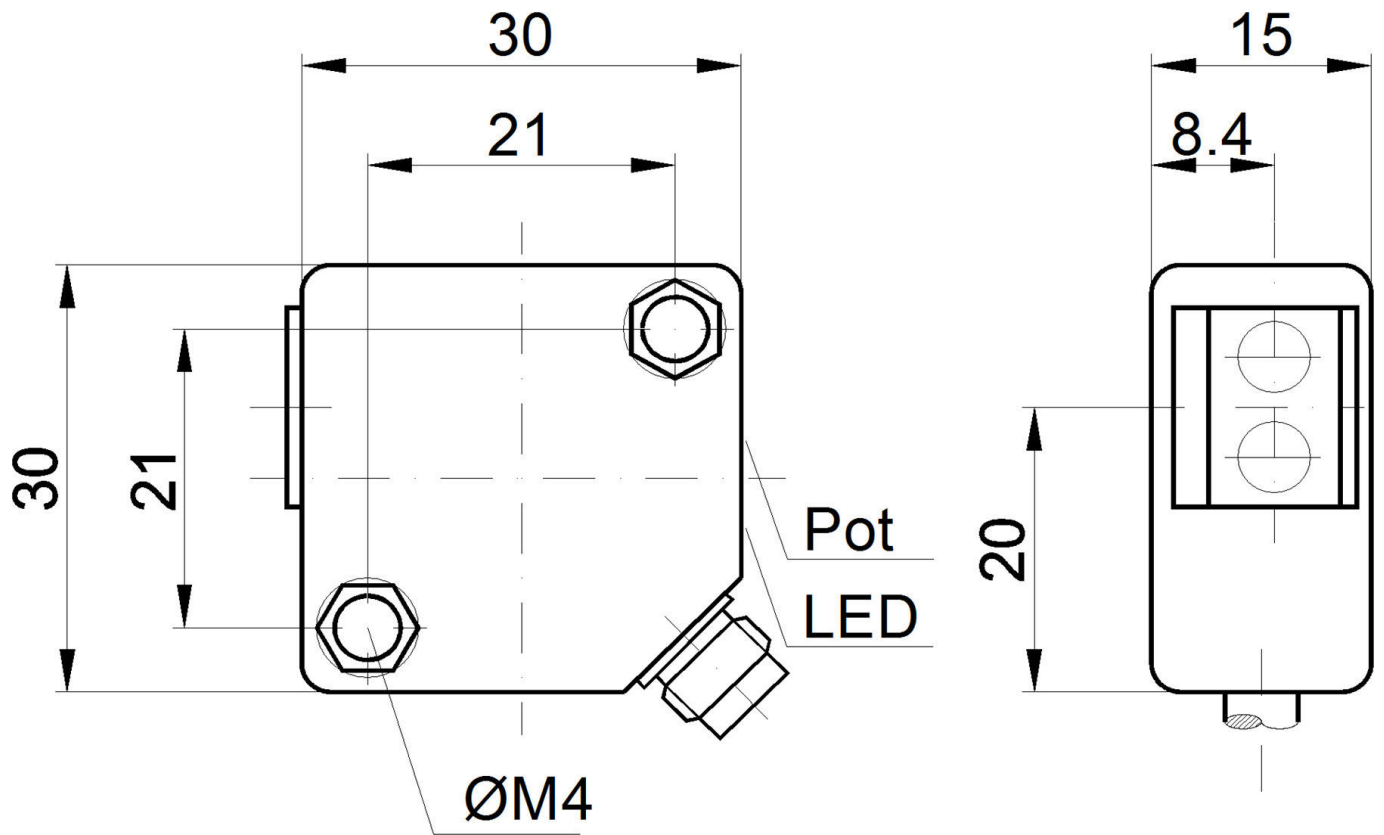
More

IPF Product Group	100 optical sensors
packaging dimensions	210 x 185 x 15 mm
gross weight	48 g
Customs tariff number	85365019
WEEE number	40951076
Reach-compliant	Yes
RoHS-compliant	Yes

Connection



Dimensional drawing



Extract accessories program

AY98C293



accessories sensor, Teflon cap,
M8x1 5long,
Polytetrafluorethylene (PTFE)

VK200471



Connection cable, 2m, M8 socket
4-pin angular, free cable end, 4x0.
34mm², PUR (polyurethane), Ø4.
7mm, -30-90°C, IP67, LED, suitable
for trailing chain and torsion
resistant, oils and cooling
lubricants, welding area, silicone-
free

VK500471



Connection cable, 5m, M8 socket
4-pin angular, free cable end 4-
pin, 4x0.34mm², PUR
(polyurethane), Ø4.7mm, -30-
90°C, IP67, LED, suitable for
trailing chain and torsion resistant,
oils and cooling lubricants,
welding area, silicone-free

VK030F73



Connection cable, 0.3m, M8
socket 4-pin angular, M8
connector 4-pin straight, 4x0.
34mm², PUR (polyurethane) black,
24V, -30-90°C, IP67, TPU, 3A, LED,
suitable for trailing chain and
torsion resistant, oils and cooling
lubricants, welding range, silicone-
free

VK060F73



Connection cable, 0.6m, M8
socket 4-pin angular, M8
connector 4-pin straight, 4x0.
34mm², PUR (polyurethane) black,
24V, -30-90°C, IP67, TPU, 3A, LED,
suitable for trailing chain and
torsion resistant, oils and cooling
lubricants, welding range, silicone-
free

VK003071



Cable socket, Angular, Suitable for
self-assembly, Soldering
connection, Ø3.5-5mm, 4A, 30V, -
40-85°C, M8 Female (socket) 4pin,
IP67, Brass

VK003075



Cable socket, Straight, Suitable for
self-assembly, Soldering
connection, Ø3.5-5mm, 4A, 30V, -
40-85°C, M8 Female (socket) 4pin,
IP67, Brass

VK030F71



Connection cable, 0.3m, M8
socket 4-pin angular, M8
connector 4-pin straight, 4-core,
PUR (polyurethane), suitable for
trailing chain and torsion resistant,
oils and cooling lubricants,
welding area, silicone-free

VK030F75



Connection cable, 0.3m, M8
socket 4-pin straight, M8
connector 4-pin straight, 4-core,
PUR (polyurethane), suitable for
trailing chain and torsion-
resistant, oils and cooling
lubricants, welding area, silicone-
free

You can find further accessories on our homepage



Installation

Mounting / installation may only be carried
out by a qualified electrician!



Disposal

WEEE number according to § 6 para. 3
ElektroG: 40951076

Safety warnings

/ Before initial operation, please make sure to follow all safety instructions that may be provided in the product information.

/ Never use these devices in applications where the safety of a person depends on their functionality.