

OE705906

Optical sensors • Through-beam sensors receivers

Optical sensor, through-beam sensor receiver, 90x70x30mm, Sn: 120m, 20-230V AC/DC, relay contact change-over contact (NO/NC), terminal, IP67, zinc diecast+glass, infrared light



Optical sensors function contactlessly. They detect objects independent of their characteristics (e.g., shape, color, surface structure, material). The basic operating principle is based on the transmission and reception of light. There are three different versions: 1. The through-beam sensor consists of two separate devices, a transmitter and a receiver that are aligned with one another. If the light beam between the two devices is interrupted, the switching output integrated in the receiver changes its status. 2. With the retro-reflective sensor, the transmitter and receiver are located in one device. The emitted light beam is reflected back to the receiver by a reflector that is to be mounted opposite the device. As soon as the light beam is interrupted, the switching output integrated in the device changes its status. 3. With the diffuse reflection sensor, the transmitter and receiver are in one device. The emitted light beam is reflected by the object that is to be detected. As soon as the receiver detects the reflected light, the switching output integrated in the device changes its status.

Electrical features

Response/decay time	25 ms
Display	LED display
Type of switching function	Change-over contact (NO/NC)
Type of electrical connection	Clamped terminal connection
Type of switching output	Relay contact
Readiness delay	200 ms
Setting procedure	Potentiometer
Power consumption	1.5 VA
Switching distance	0 - 120000 mm
Switching frequency	20 Hz
Scanning function	Light-/dark-on mode
Reverse polarity protection	Yes
Decay time	25 ms
Operating voltage (AC 50Hz)	20 - 230 V
Operating voltage (DC)	20 - 230 V
Output functions	Switching point

Mechanical features

Design	Cuboid
Width	30 mm
Height	90 mm
Storage temperature	-40 - 70 °C
Length	70 mm
Degree of protection (IP)	IP67
Active area material of sensor	glass
Housing material	Zinc die-cast
Ambient temperature	-20 - 60 °C

Optical features

Light source	Infrared light
Light beam form	Point
Wavelength of the sensor	880 nm

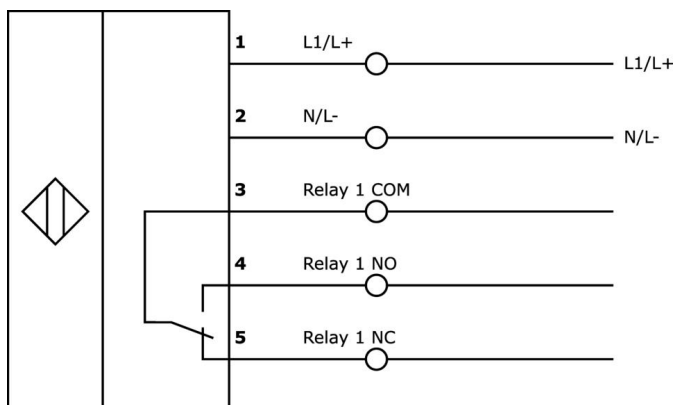
Classification

ETIM 8	EC002716 Through-beam photoelectric sensor
--------	--

More

IPF Product Group	100 optical sensors
packaging dimensions	160 x 99 x 60 mm
gross weight	450 g
Customs tariff number	85365080
WEEE number	40951076
POP-compliant	Yes
Reach-compliant	Yes
RoHS-compliant	Yes

Connection



Extract accessories program**OS705006**

Sensor Optical, through-beam sensor transmitter, 90x70x30mm, 20-230V AC/DC, -30-60°C, terminal, IP67, plastic+glass, infrared light

AY000129

Accessories, magnetic, Ø66mm, neodymium-iron-boron, inside thread M6, rubber

AY000144

accessories sensor, Adapter plate, 3x30x85mm, Stainless steel 1.4305

You can find further accessories on our homepage

**Installation**

Mounting / installation may only be carried out by a qualified electrician!

**Disposal**

WEEE number according to § 6 para. 3 ElektroG: 40951076

Safety warnings

- / Before initial operation, please make sure to follow all safety instructions that may be provided in the product information.
- / Never use these devices in applications where the safety of a person depends on their functionality.