

OG06E129

Optical sensors • Forked light barriers

sensor optical, fork, 22x7x26mm, fork width 6mm, 5-24V DC, 1x PNP Anticoincidence, JST 4pin, IP40, PBT+Plastic, Infrared light, 3kHz



Special design of through-beam sensor. Transmitter and receiver are located in the fork or angular limbs and are perfectly aligned to each other.

Electrical features

| | |
|----------------------------------|---------------------|
| Response/decay time | 0.08 ms |
| Number of switching outputs | 1 |
| Resolution | 0.96 mm |
| Type of the forked light barrier | Standard |
| Type of switching function | Exclusive-OR |
| Type of electrical connection | JST connector |
| Type of switching output | PNP |
| Rated switching current | 50 mA |
| Absolute hysteresis | 0.05 mm |
| Short-circuit protection | Yes |
| No-load current | 15 mA |
| Number of pins | 4 |
| Switching frequency | 3000 Hz |
| Protection class | III |
| Voltage drop | 2 V |
| Scanning function | Light-/dark-on mode |
| Decay time | 0.08 ms |
| Absolute repeat accuracy | 0.01 mm |
| Operating voltage (DC) | 5 - 24 V |

Mechanical features

| | |
|--------------------------------|-------------|
| Design | Cuboid |
| Fork light barrier design | Furcate |
| Width | 26 mm |
| Fork depth | 8.4 mm |
| Fork width | 6 mm |
| Height | 22.4 mm |
| Length | 7 mm |
| Maximum tightening torque | 0.5 Nm |
| Degree of protection (IP) | IP40 |
| Active area material of sensor | Plastic |
| Housing material | PBT |
| Ambient temperature | -25 - 55 °C |

Optical features

| | |
|--------------------------|----------------|
| Light source | Infrared light |
| Light beam form | Point |
| Min. object size | 1 mm |
| Wavelength of the sensor | 855 nm |

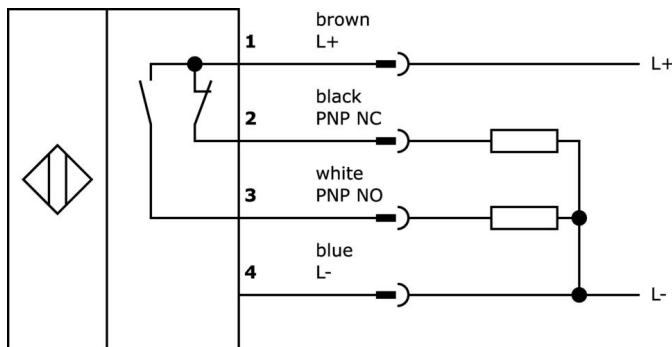
Classification

| | |
|--------|-----------------------------|
| ETIM 8 | EC002720 Fork light barrier |
|--------|-----------------------------|

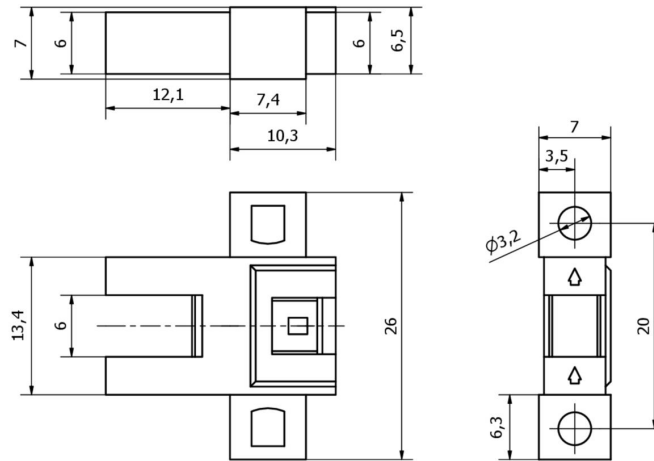
More

| | |
|-----------------------|-----------------------------------|
| IPF Product Group | 110 fork / angular light barriers |
| packaging dimensions | 120 x 100 x 10 mm |
| gross weight | 4 g |
| Customs tariff number | 85365019 |
| WEEE number | 40951076 |
| OzDS-compliant | Yes |
| POP-compliant | Yes |
| Reach-compliant | Yes |
| RoHS-compliant | Yes |

Connection



Dimensional drawing



Extract accessories program

VK30E127



Connection cable, 3m, JST Female (socket) 4pin Straight, Free conductor end 4pin, 4x0.2mm², Ø3.7mm, 24V

AO000095



accessories optical, Cleaning air nozzle, Metal

AO000100



accessories optical, Cleaning air nozzle, 60mm long, Metal

You can find further accessories on our homepage



Installation

Mounting / installation may only be carried out by a qualified electrician!



Disposal

WEEE number according to § 6 para. 3 ElektroG: 40951076

Safety warnings

/ Before initial operation, please make sure to follow all safety instructions that may be provided in the product information.

/ Never use these devices in applications where the safety of a person depends on their functionality.