

# OHSI0305

## Optical sensors • Frame light barriers

sensor optical, frame 60x98, 114x15x90mm, Dynamic, resolution 0.3mm, 12-32V DC, PNP/PNP NC/NO, M16-connector 5pin, IP67, Aluminum



Frame and ring light barriers operate according to the principle of a through-beam sensor. Within the housing there is a variety of transmitter and receiver elements that form a light curtain and thus detect various objects. Application examples for these systems are ejection control of presses, presence monitoring or length measurements of wires or tubes.

### Electrical features

Display	LED display
Type of plug-in contact	Male (connector)
Type of switching function	Normally closed contact/normally open contact
Type of electrical connection	M16 plug connector
Type of switching output	PNP
Rated switching current	200 mA
Short-circuit protection	Yes
Number of pins	5
Switching frequency	1000 Hz
Switching behavior of the output	Dynamic
Protection class	III
Reverse polarity protection	Yes
Operating voltage (DC)	12 - 32 V
Measuring range	0 - 60 mm

### Mechanical features

Design	Cuboid
Width	90 mm
Active zone width	60 mm
Height	114 mm
Active zone height	98 mm
Length	15 mm
Frame opening, lengthwise	98 mm
Frame opening, crosswise	40 mm
Degree of protection (IP)	IP67
Housing material	Aluminum
With mechanical impact protection	Yes
Ambient temperature	-20 - 60 °C

**Optical features**

Resolution, dynamic	0.3 mm
Light source	Infrared light
Min. object size	0.3 mm

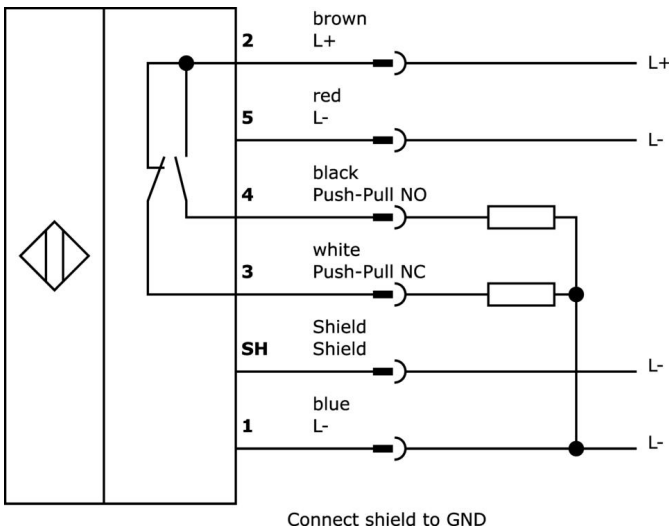
**Classification**

ETIM 8	EC002721 Frame light barrier
--------	------------------------------

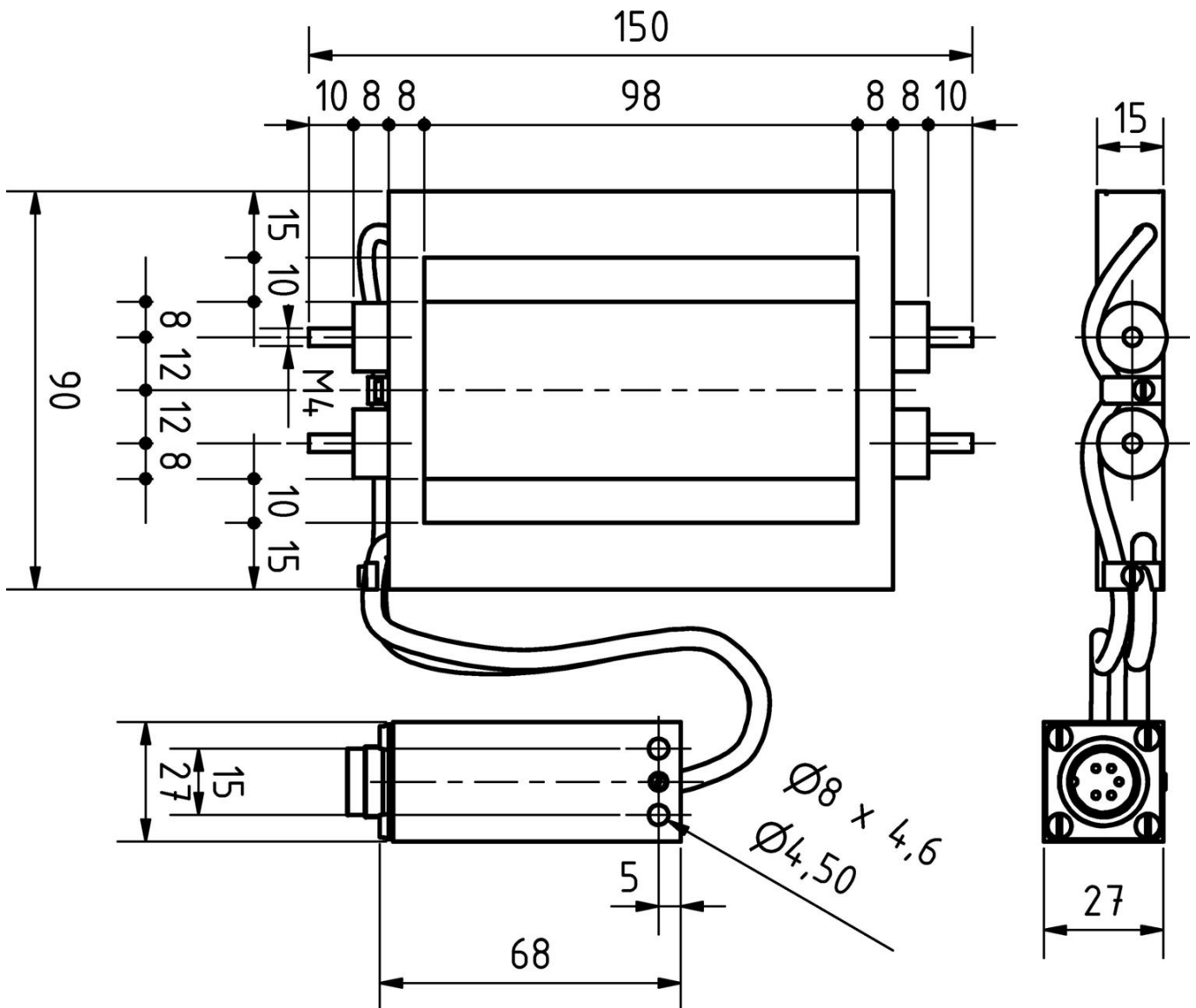
**More**

IPF Product Group	705 special devices (SI)
packaging dimensions	210 x 138 x 95 mm
gross weight	406 g
Customs tariff number	85365019
WEEE number	40951076
POP-compliant	Yes
Reach-compliant	Yes
RoHS-compliant	Yes

**Connection**

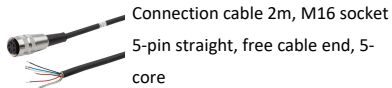


**Dimensional drawing**



**Extract accessories program**

**VK991240**



You can find further accessories on our homepage



**Installation**

Mounting / installation may only be carried out by a qualified electrician!



**Disposal**

WEEE number according to § 6 para. 3  
ElektroG: 40951076

---

**Safety warnings**

- / Before initial operation, please make sure to follow all safety instructions that may be provided in the product information.
- / Never use these devices in applications where the safety of a person depends on their functionality.