

OI810144

Temperature sensors • contactless measurement (infrared)

Sensor optical, infrared, Ø60mm, 600°C, 5°, 10-55V DC, PNP NO, plug connection 5-pin, IP67, V4A



Electrical features

Display	LED display
Type of switching function	Normally open contact (NO)
Type of electrical connection	Plug-in connection
Type of switching output	PNP
Rated switching current	400 mA
Relative hysteresis	5 %
Short-circuit protection	Yes
No-load current	15 mA
Measuring range, temperature	600 °C
Number of pins	5
Switching frequency	10 Hz
Operating voltage (DC)	10 - 55 V

Mechanical features

Design	Cylinder plain
Diameter	60 mm
Length	210 mm
Degree of protection (IP)	IP67
Housing material	Stainless steel 1.4571
Ambient temperature	-20 - 75 °C

Optical features

Angle of beam spread	5 °
----------------------	-----

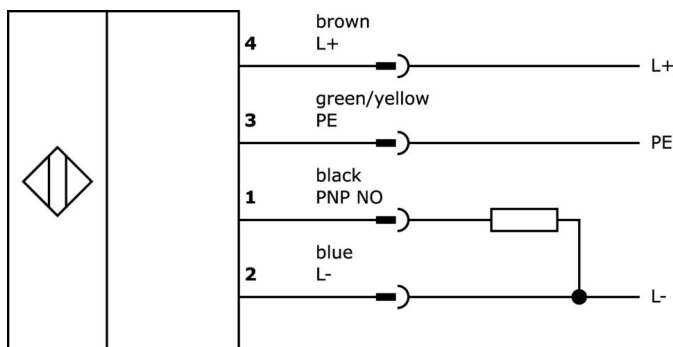
Classification

ETIM 8	EC000601 Measuring device for temperature and climate
--------	---

More

IPF Product Group	310 temperature sensors
packaging dimensions	210 x 138 x 95 mm
gross weight	1476 g
Customs tariff number	90251900
WEEE number	40951076
Reach-compliant	Yes
RoHS-compliant	Yes

Connection



Extract accessories program

AL000004

accessories fiber optic, Optic top part, diffuse-reflection sensor, infrared, Ø25mm 100long, Round, Aluminum+Glass

AL000011

accessories fiber optic, Optic top part, diffuse-reflection sensor, infrared, Ø25mm 100long, Round, Aluminum+Glass

You can find further accessories on our homepage



Installation

Mounting / installation may only be carried out by a qualified electrician!



Disposal

WEEE number according to § 6 para. 3 ElektroG: 40951076

Safety warnings

/ Before initial operation, please make sure to follow all safety instructions that may be provided in the product information.

/ Never use these devices in applications where the safety of a person depends on their functionality.