

## OI98F001

### Temperature sensors • contactless measurement (infrared)

Sensor Optical, infrared, Ø49mm 100long, 100-600°C, 100:1, 8-36V DC, 85°C, NO, 0/4-20mA, 0/5-10V, terminal, IP65, V4A, cable length of sensor head 3m



#### Electrical features

Response/decay time	1 ms
Display	LCD display   LED display
Type of switching function	Normally open contact (NO)
Type of alarm output	PNP
Type of analog output	0 - 10V   0 - 20mA   0 - 5V   4 - 20mA
Type of electrical connection	Clamped terminal connection
Type of thermocouple	Simulated (J or K)
Rated switching current	50 mA
Setting procedure	Application software   Parameterization
No-load current	160 mA
Measuring range, temperature	100 - 600 °C
Relative repeat accuracy	0.1 %
Switching function of the alarm output	Normally open contact (NO)
Temperature drift over entire measuring range	0.05 %
Supported communication interface	Optional
Operating voltage (DC)	8 - 36 V
Data logging possible	Yes
Output functions	Switching point

**Mechanical features**

Design	Cuboid
Operating temperature of the measuring head	-20 - 50 °C
Diameter	50 mm
Thread length	30 mm
Thread pitch	1.5 mm
Cable length of measuring head	3 m
Length	100 mm
Degree of protection (IP)	IP65
Housing material	Stainless steel 1.4571
Height of the amplifier	30 mm
Length of the amplifier	120 mm
Width of the amplifier	70 mm
Thread dimension	M48
Ambient temperature	0 - 85 °C

**Optical features**

Spectral sensitivity	2,3 µm
Ratio (D:S)	100:1

**Other features**

Relative measurement accuracy	0.3 %
-------------------------------	-------

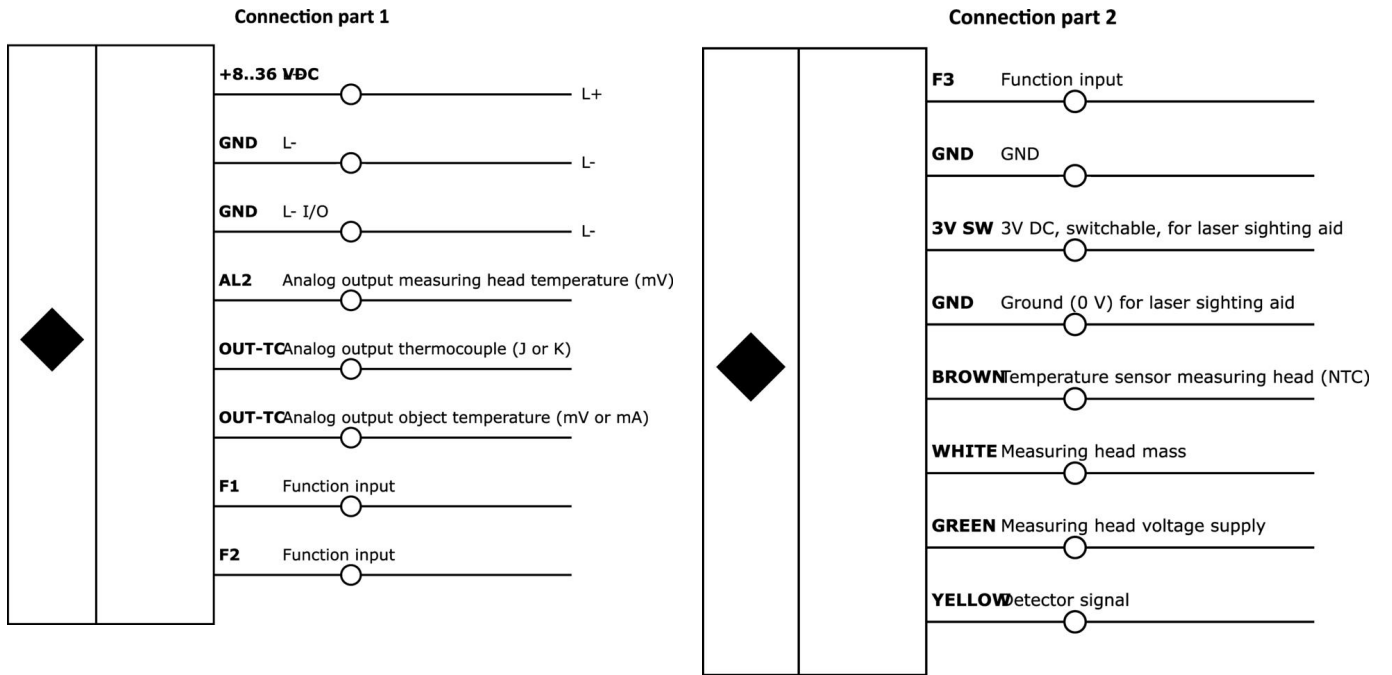
**Classification**

ETIM 8	EC000601 Measuring device for temperature and climate
--------	---

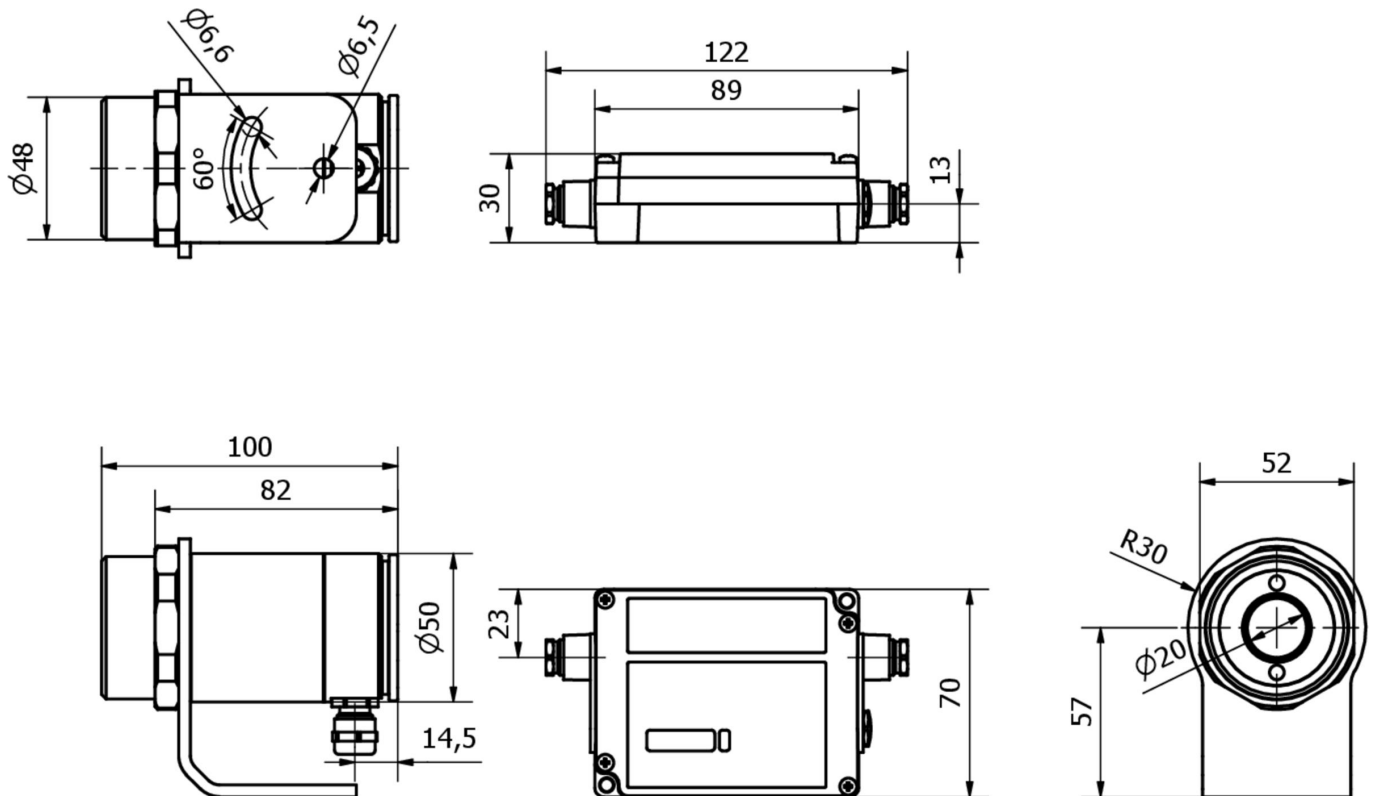
**More**

IPF Product Group	310 temperature sensors
packaging dimensions	260 x 165 x 80 mm
gross weight	1458 g
Customs tariff number	90251900
WEEE number	40951076
Reach-compliant	Yes
RoHS-compliant	Yes

**Connection**



**Dimensional drawing**



---

**Extract accessories program****AO98C526**

accessories optical, Mounting rail  
adapter, 74x93x2mm, Straight,  
DIN rail (top hat rail) 35 mm,  
Metal, Snap connection

You can find further accessories on our homepage

**Installation**

Mounting / installation may only be carried out by a qualified electrician!

**Disposal**

WEEE number according to § 6 para. 3  
ElektroG: 40951076

---

**Safety warnings**

- / Before initial operation, please make sure to follow all safety instructions that may be provided in the product information.
- / Never use these devices in applications where the safety of a person depends on their functionality.