

## OI98F003

### Temperature sensors • contactless measurement (infrared)

Sensor Optical, infrared, 150-1000°C, 300:1, 8-36V DC, NO, 0/4-20mA, 0/5-10V, terminal, IP65, V4A, cable length of sensor head 3m



#### Electrical features

Response/decay time	1 ms
Display	LCD display   LED display
Type of alarm output	PNP
Type of analog output	0 - 10V   0 - 20mA   0 - 5V   4 - 20mA
Type of electrical connection	Clamped terminal connection
Type of thermocouple	Einstellbar (J oder K)
Rated switching current	50 mA
Setting procedure	Application software   Parameterization
No-load current	160 mA
Measuring range, temperature	150 - 1000 °C
Supported communication interface	USB (über Zusatzmodul)
Operating voltage (DC)	8 - 36 V
Output functions	Switching point
ardSOCA_ElektrischerAnschluss	Terminal connection
ardSOCA_Betriebsspannung	8-36VDC
ardTEEL_Genauigkeit_Enum	Systemgenauigkeit (bei Umgebungstemperatur 23 ±5 °C): ±(0,3 % T <sub>Mess</sub> +2 °C) Reproduzierbarkeit (bei Umgebungstemperatur 23 ±5 °C): ±(0,1 % T <sub>Mess</sub> +1 °C)
ardTEEL_EinstellbarerEmissionsgrad	0,1   1,1
ardTEEL_EinstellbarerTransmissionsgrad	0,1 - 1,1

**Mechanical features**

Design	Cuboid
Operating temperature of the measuring head	-20 - 85 °C
Diameter	50 mm
Thread length	30 mm
Thread pitch	1.5 mm
Cable length of measuring head	3 m
Length	100 mm
Degree of protection (IP)	IP65
Housing material	Zinc die-cast
Sensing element material	Stainless steel
Height of the amplifier	30 mm
Length of the amplifier	120 mm
Width of the amplifier	70 mm
Thread dimension	M48
Ambient temperature	-20 - 85 °C
ardSOCA_Abmessungen	M48x1.5, 100mm long
Line diameter	5 mm

**Optical features**

Spectral sensitivity	2,3 µm
Ratio (D:S)	300:1

**Other features**

Relative air humidity (non-condensing)	10 - 95 %
--	-----------

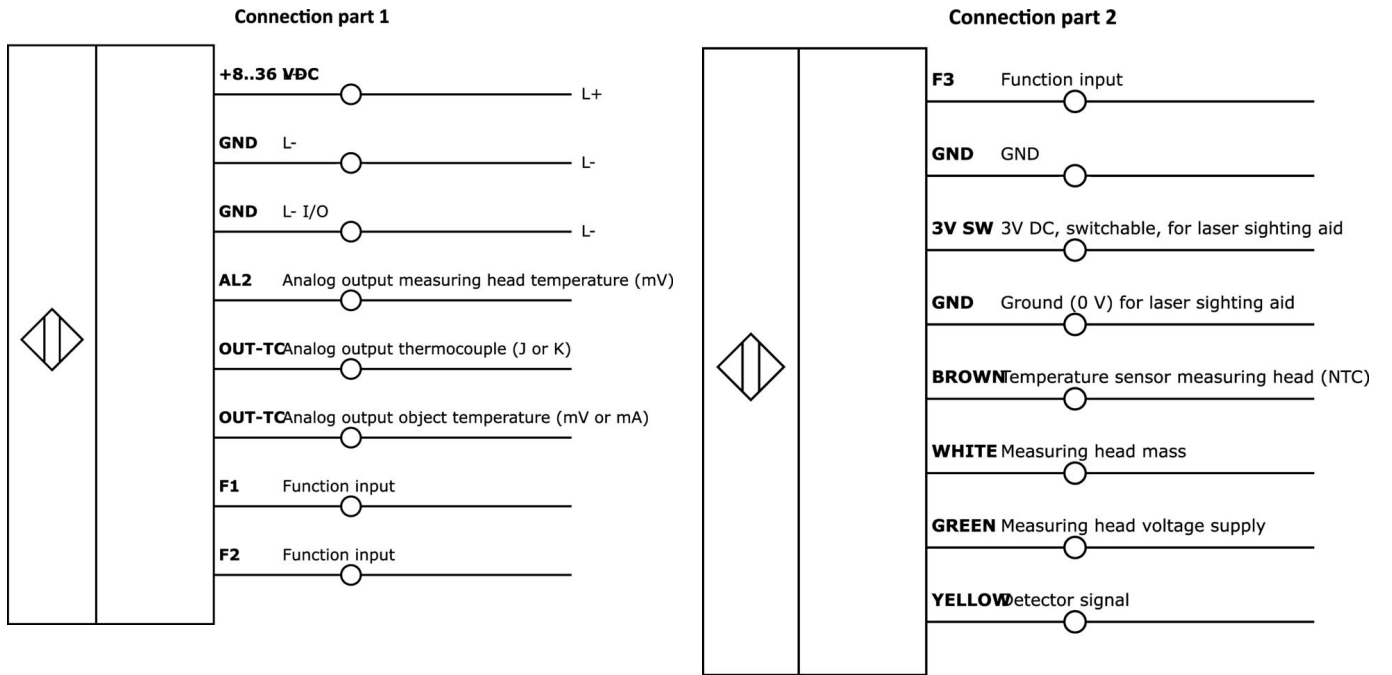
**Classification**

ETIM 8
--------

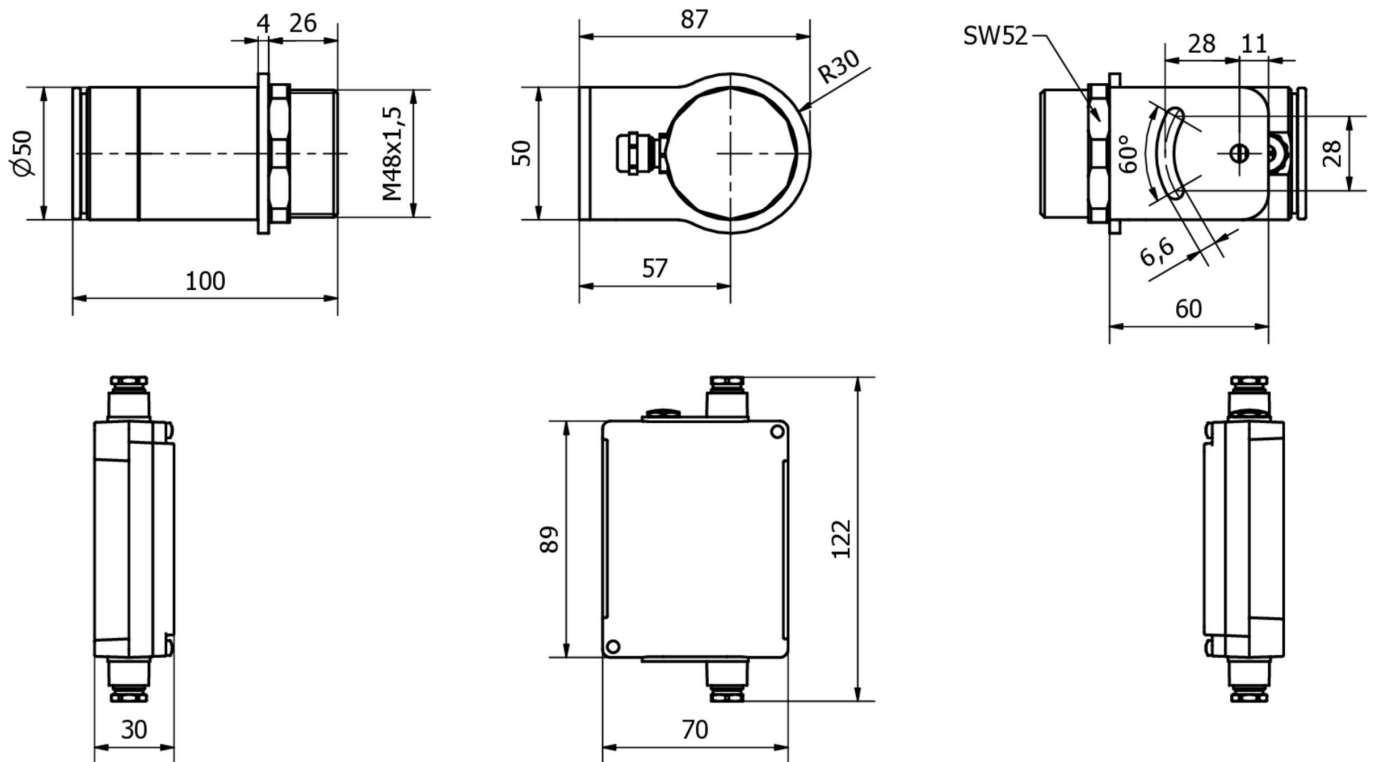
**More**

IPF Product Group	310 temperature sensors
packaging dimensions	270 x 170 x 70 mm
gross weight	1392 g
Customs tariff number	90251900
WEEE number	40951076
Reach-compliant	Yes
RoHS-compliant	Yes

**Connection**



**Dimensional drawing**



---

**Extract accessories program****AO98C526**

accessories optical, Mounting rail adapter, 74x93x2mm, Straight, DIN rail (top hat rail) 35 mm, Metal, Snap connection

**VR98A921**

Relay interface card, Screw connection, Relay contact NO, Screw connection, IP00

You can find further accessories on our homepage

**Installation**

Mounting / installation may only be carried out by a qualified electrician!

**Disposal**

WEEE number according to § 6 para. 3  
ElektroG: 40951076

---

**Safety warnings**

- / Before initial operation, please make sure to follow all safety instructions that may be provided in the product information.
- / Never use these devices in applications where the safety of a person depends on their functionality.