

OK630181

Optical sensors • Contrast sensor

sensor optical, contrast, 38x65x65mm, Other, Sn: 1-500, 24V DC, 2x PNP/NPN, 0-10V/4-20mA, Connector M9 8pin, IP64, 60kHz, Parameterization, With time function, With fiber optics connection, RS232, Programmable via software



Detection of fluorescent objects

Contrast scanners are capable to distinguish the the visual differences (e.g. reflectivity, brightness differences) between adjacent areas. In general, the devices project a light spot on an object's surface and analyze the reflected light. Fiber optic amplifier versions can be used in addition to the incident light mode also in the transmitted light mode. Contrast scanners are versatile. They can be used, among other things, for position control of printing or color marks, distinction of brightness variations or in the intensity control of luminous objects (like LEDs, displays etc.).

Electrical features

Number of switching outputs	2
Display	LED display
Type of analog output	0 - 10V 4 - 20mA
Type of electrical connection	Connector M9
Type of switching output	PNP/NPN
Rated switching current	100 mA
Setting procedure	Application software Parameterization
Short-circuit protection	Yes
No-load current	160 mA
Number of pins	8
Switching frequency	60000 Hz
Reverse polarity protection	Yes
Type of plug-in connection, communication interface	Connector M5
Supported communication interface	RS232
Operating voltage (DC)	24 V
Measuring range	1 - 500 mm
Time function	Yes

Mechanical features

Design	Cuboid
Width	65 mm
Height	38 mm
Storage temperature	-20 - 85 °C
Length	65 mm
Degree of protection (IP)	IP64
With fiber optics connection	Yes
Ambient temperature	-20 - 55 °C

Optical features

Light source	other
Light beam form	Point

Other features

ardTE00_Anwendungen	Trübungskontrolle Durchlichtanwendungen
---------------------	---

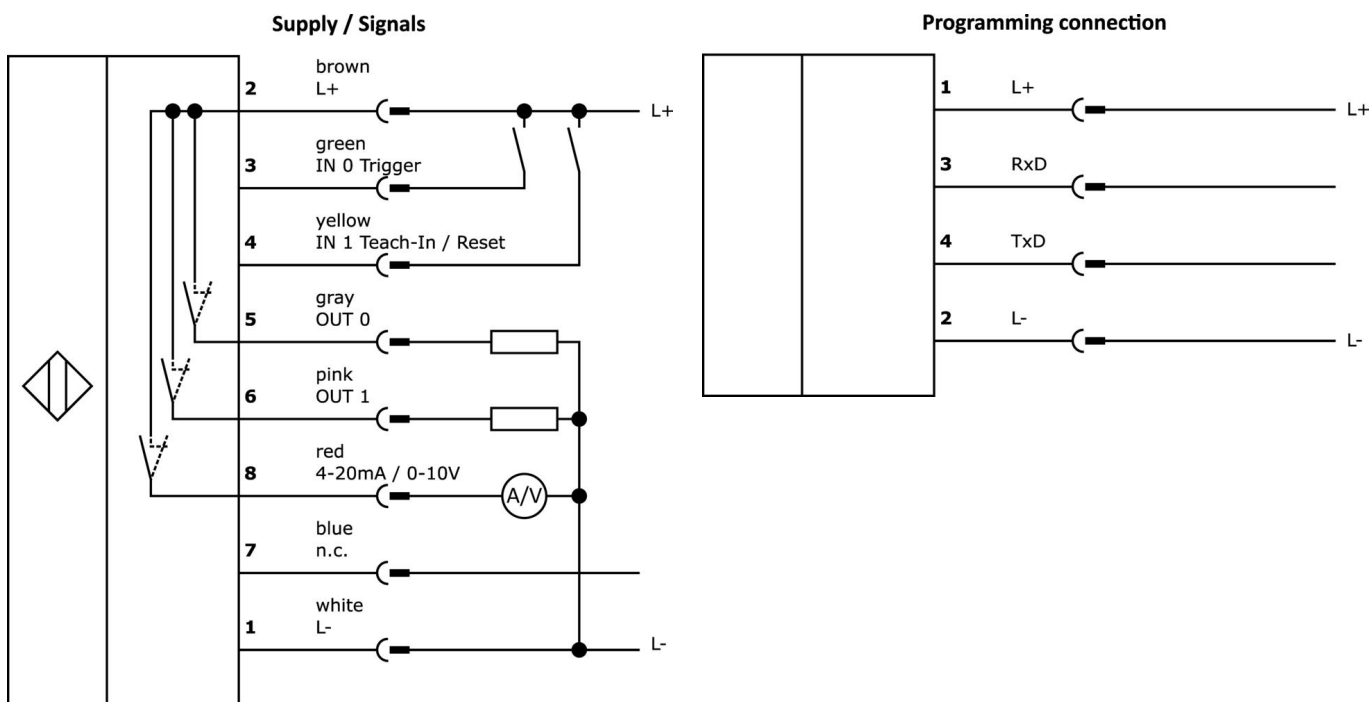
Classification

ETIM 8	EC001820 Contrast scanner
--------	---------------------------

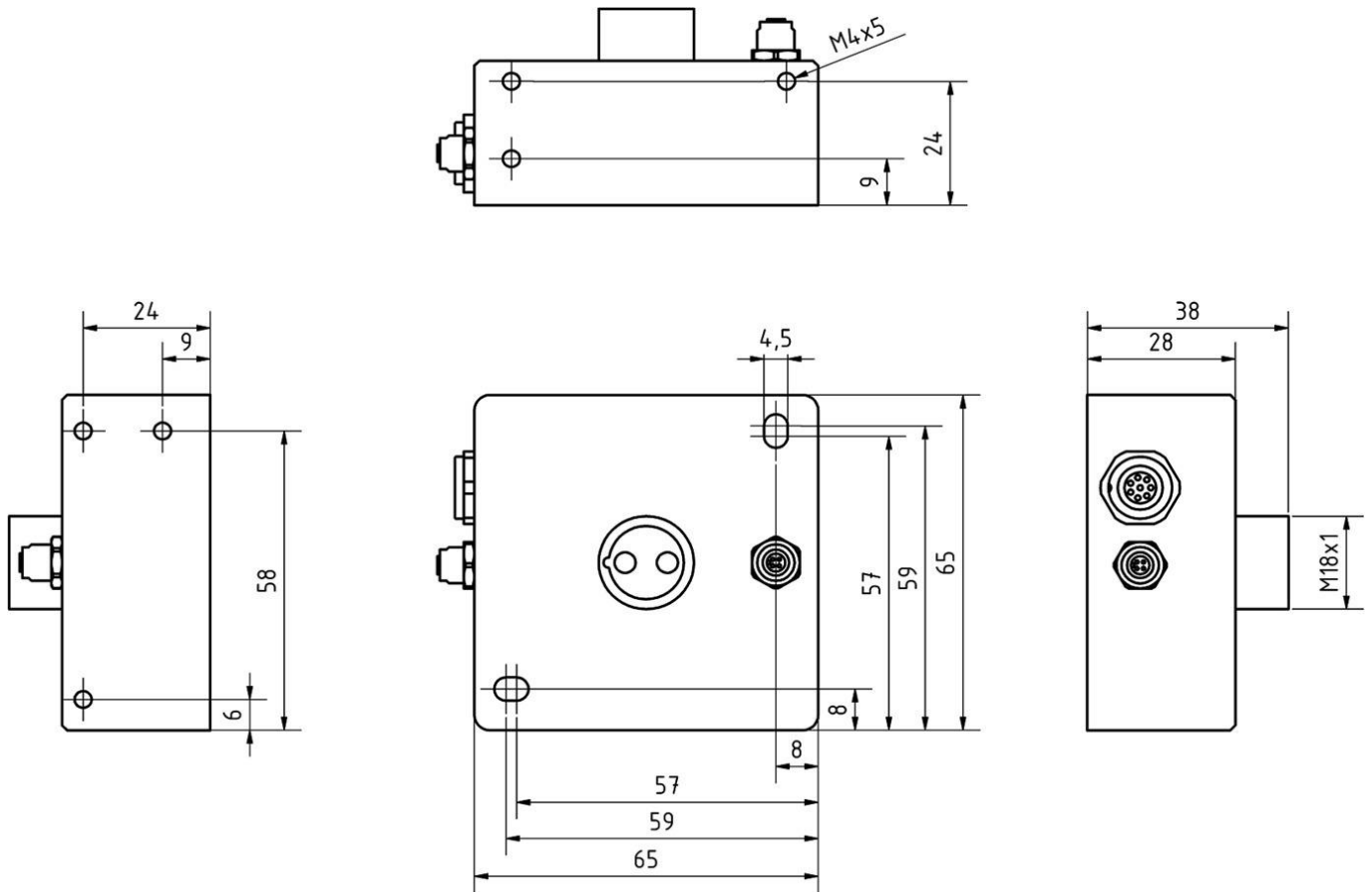
More

IPF Product Group	108 contrast readers
packaging dimensions	160 x 99 x 60 mm
gross weight	189 g
Customs tariff number	85365019
WEEE number	40951076
POP-compliant	Yes
Reach-compliant	Yes
RoHS-compliant	Yes

Connection



Dimensional drawing



Extract accessories program

VK207B41



Connection cable, 2m, M9 connector 8-pin angular, free cable end, 8x0.14mm², PUR (polyurethane), 125V, IP67, shielded, oils and cooling lubricants, welding area

VK207B45



Connection cable, 2m, M9 Male (connector) 8pin Straight, Free conductor end, 8x0.14mm², PUR (Polyurethane), 125V, IP67, Shielded, Oil and cooling lubricants, Welding area

AY98A877



accessories sensor, Teflon cap, M18 10long, Polytetrafluorethylene (PTFE)

AY98C898



accessories sensor, Teflon cap, M18x1 15long, Polytetrafluorethylene (PTFE)

VK207U40



Connection cable RS232/USB, 2m, M5 Male (connector) Angular, USB-A Male (connector) Straight, PUR (Polyurethane)

VK207U44



Connection cable RS232/USB, 2m, M5 Male (connector) Straight, USB-A Male (connector) Straight, PUR (Polyurethane)

LT060181



Glass fiber optics diffuse reflection sensor, 0.6m, head: stainless steel 21long Ø2.5 Ø6.6, axial light exit, conductor: glass fiber + silicone, end piece: M18x1 plastic, -40-180°C

LT060291



fiber optic diffuse-reflection sensor, 0.6m, head: Aluminum 30long Ø7 line, Light exit Axial, conductor: Glassfiber+Silicone, end piece: M18x1 Plastic, -40-180°C

VK207F44



Connection cable RS232/Sub-D, 2m, M5 Male (connector) Straight, D-Sub Male (connector) 9pin Straight, PUR (Polyurethane)

You can find further accessories on our homepage

**Installation**

Mounting / installation may only be carried out by a qualified electrician!

**Disposal**

WEEE number according to § 6 para. 3
ElektroG: 40951076

Safety warnings

- / Before initial operation, please make sure to follow all safety instructions that may be provided in the product information.
- / Never use these devices in applications where the safety of a person depends on their functionality.
- / Any software, drivers or IODD files that may be required to operate your device can be downloaded free of charge from our homepage: www.ipf-electronic.com