

OL100370

Fiber optic sensors • Amplifier fiber optics plastic fiber

fiber optic-amplifier, 30x64x9mm, 12-24V DC, 1x PNP NC/NO, Connector M8 4pin, IP40, PBT, Polarity free red light



Fiber optics in combination with the appropriate fiber optic amplifier function as contactless and wear-free position switches that can also be used in harsh environmental conditions. They detect objects independent of their characteristics (e.g., shape, color, surface structure, material). Because the ends and heads of the fiber optics have small dimensions and the fiber optics are flexible, very elegant solutions can be created for detecting objects in places that are difficult to access. Fiber optics can be used without special precautions in potentially explosive areas and in zones with electrical and/or magnetic fields (high-voltage installations, electrical welding equipment) as their function is not thereby affected. Fiber optics are available in versions for implementing the function as through-beam sensor or diffuse reflection sensor.

Electrical features

Response/decay time	0.25 ms
Number of switching outputs	1
Display	LCD display LED display
Type of switching function	Normally closed contact/normally open contact
Type of electrical connection	Connector M8
Type of switching output	PNP
Rated switching current	100 mA
Setting procedure	Parameterization Teach-In
Short-circuit protection	Yes
No-load current	30 mA
Number of pins	4
Switching frequency	2000 Hz
Voltage drop	1.5 V
Scanning function	Light-/dark-on mode
Reverse polarity protection	Yes
Operating voltage (DC)	12 - 24 V
Time function	Yes
Output functions	Switching point

Mechanical features

Design	Cuboid
Width	9 mm
Height	30 mm
Length	64.5 mm
Mounting method	Top hat rail
Degree of protection (IP)	IP40
Housing material	PBT
Design of the fiber optic connection	terminal connection
Ambient temperature	-10 - 55 °C

Optical features

Light source	Polarity free red light
Wavelength of the sensor	632 nm

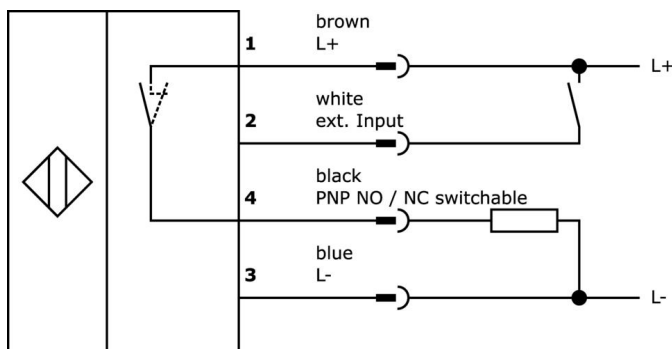
Classification

ETIM 8	EC002651 Fiber optic sensor/amplifier
--------	---------------------------------------

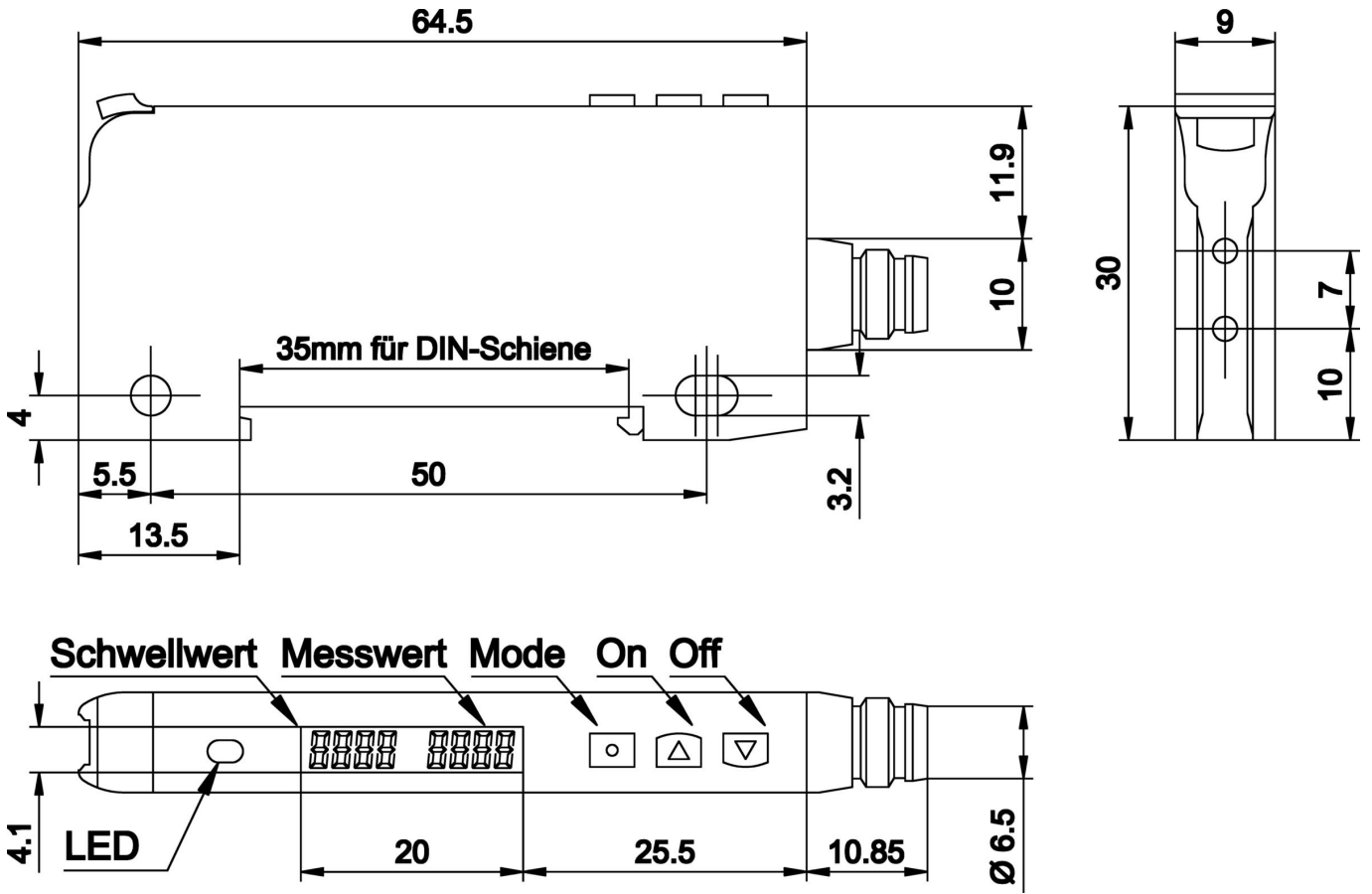
More

IPF Product Group	152 fiber optic amplifiers
packaging dimensions	149 x 124 x 28 mm
gross weight	100 g
Customs tariff number	85365019
WEEE number	40951076
OzDS-compliant	Yes
POP-compliant	Yes
Reach-compliant	Yes
RoHS-compliant	Yes

Connection



Dimensional drawing



Extract accessories program

LT107205



fiber optic diffuse-reflection sensor, 1m, head: Ø1.5, Light exit Axial, conductor: Plasticfiber+Plastic, -55-80°C, IP40

LT207001



fiber optic diffuse-reflection sensor, 2m, head: Stainless steel 17long M6x0.75, Light exit Axial, conductor: Plasticfiber+Plastic, -55-80°C, IP67

VK200371



Connection cable, 2m, M8 Female (socket) 4pin Angular, Free conductor end, 4x0.34mm², PUR (Polyurethane), Ø4.7mm, 30V, -30-90°C, IP67, Suitable for trailing chain and torsion resistant, Oil and cooling lubricants, Welding area, Silicone-free

VK200375



Connection cable, 2m, M8 Female (socket) 4pin Straight, Free conductor end, 4x0.34mm², PUR (Polyurethane), Ø4.7mm, 30V, -30-90°C, IP67, Suitable for trailing chain and torsion resistant, Oil and cooling lubricants, Welding area, Silicone-free

LS207003



fiber optic barrier, 2m, head: Stainless steel 16long M2.6 M2.6x0.45 M4x0.7, Light exit Axial, conductor: Plasticfiber+Plastic, -55-80°C, IP67, for attachment optics

LS207009



fiber optic barrier, 2m, head: Stainless steel 12long M3 M3x0.5 Ø2, Light exit Axial, conductor: Plasticfiber+Plastic, -55-80°C, IP67

AL000003



accessories fiber optic, Plastic fiber, barrier, Ø2,2mm, Simplex, Plastic+Plastic, yard good

AL000004



accessories fiber optic, Optic top part, diffuse-reflection sensor, infrared, Ø25mm 100long, Round, Aluminum+Glass

You can find further accessories on our homepage



Installation

Mounting / installation may only be carried out by a qualified electrician!



Disposal

WEEE number according to § 6 para. 3 ElektroG: 40951076

Safety warnings

/ Before initial operation, please make sure to follow all safety instructions that may be provided in the product information.

/ Never use these devices in applications where the safety of a person depends on their functionality.