

## OL150105

### Fiber optic sensors • Amplifier fiber optics plastic fiber

Fiber optics amplifier, 30x30x15mm, 10-35V DC, 1x PNP light-on mode, PVC cable, IP67, PBTP, red light unpolarized



Fiber optics in combination with the appropriate fiber optic amplifier function as contactless and wear-free position switches that can also be used in harsh environmental conditions. They detect objects independent of their characteristics (e.g., shape, color, surface structure, material). Because the ends and heads of the fiber optics have small dimensions and the fiber optics are flexible, very elegant solutions can be created for detecting objects in places that are difficult to access. Fiber optics can be used without special precautions in potentially explosive areas and in zones with electrical and/or magnetic fields (high-voltage installations, electrical welding equipment) as their function is not thereby affected. Fiber optics are available in versions for implementing the function as through-beam sensor or diffuse reflection sensor.

#### Electrical features

Response/decay time	0.5 ms
Number of switching outputs	1
Display	LED display
Type of switching function	Light switching
Type of electrical connection	Cable
Type of switching output	PNP
Rated switching current	200 mA
Setting procedure	Potentiometer
Relative hysteresis	10 %
Short-circuit protection	Yes
No-load current	15 mA
Switching frequency	1000 Hz
Voltage drop	2 V
Scanning function	Light switching
Reverse polarity protection	Yes
Decay time	0.5 ms
Operating voltage (DC)	10 - 35 V
Output functions	Switching point
ardSOCA_ElektrischerAnschluss	Cable tail 3-core 2m
ardSOCA_Betriebsspannung	10-35VDC

**Mechanical features**

Number of cores	3
Design	Cuboid
Width	15 mm
Height	30 mm
Cable length	2 m
Length	30 mm
Mounting method	Screw mounting
Degree of protection (IP)	IP67
Housing material	PBT
Material of cable sheath	Plastic (PVC)
Design of the fiber optic connection	terminal connection
Ambient temperature	-25 - 55 °C
ardSOCA_Abmessungen	30x15x30mm

**Optical features**

Light source	Polarity free red light
Wavelength of the sensor	660 nm

**Other features**

Reference medium / object	Measuring plate 100x100mm, white
---------------------------	----------------------------------

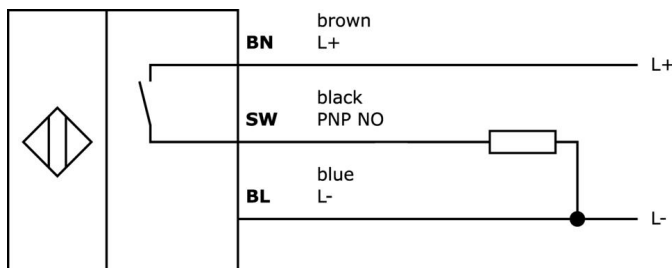
**Classification**

ETIM 8	EC002651 Fiber optic sensor/amplifier
--------	---------------------------------------

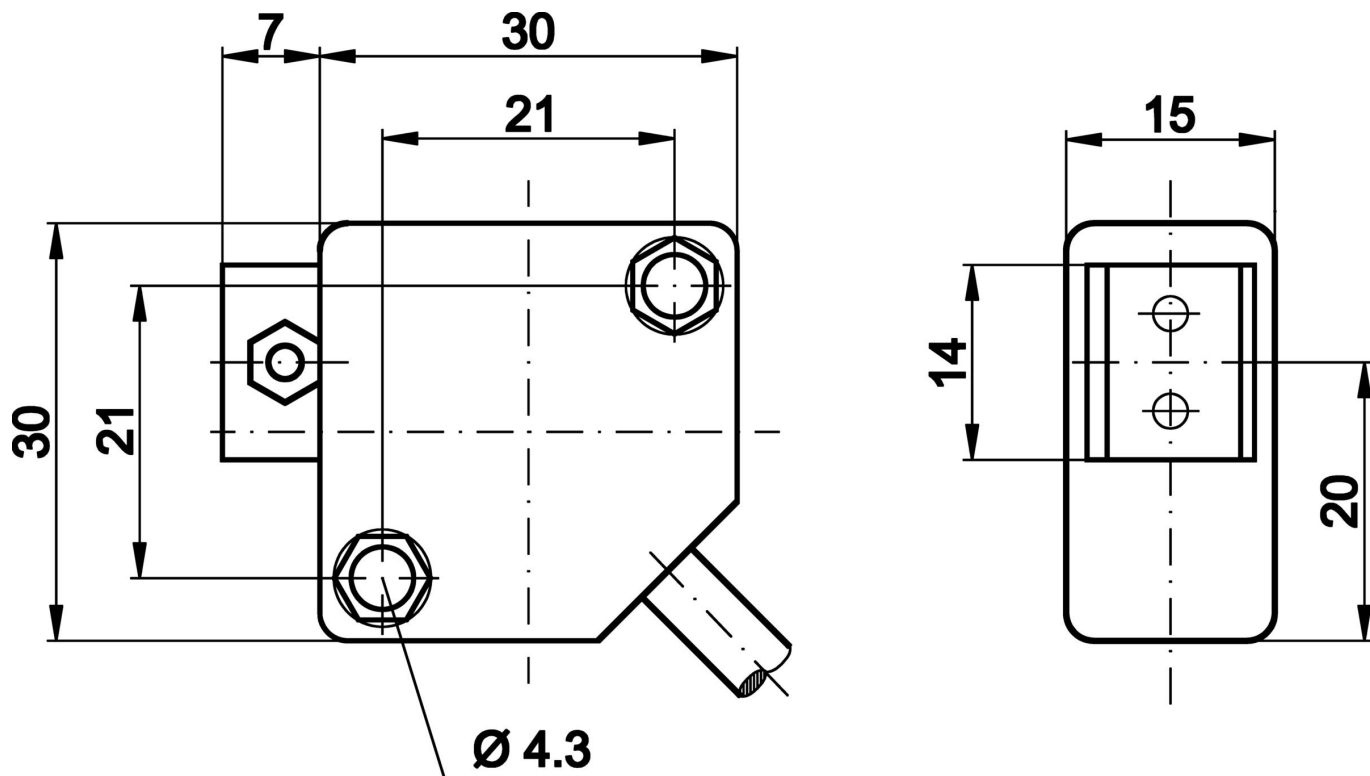
**More**

IPF Product Group	152 fiber optic amplifiers
packaging dimensions	210 x 180 x 16 mm
gross weight	55 g
Customs tariff number	85365019
WEEE number	40951076
Reach-compliant	Yes
RoHS-compliant	Yes

**Connection**



**Dimensional drawing**



**Extract accessories program**

**AL000003**



accessories fiber optic, Plastic fiber, barrier, Ø2,2mm, Simplex, Plastic+Plastic, yard good

**AL000004**



accessories fiber optic, Optic top part, diffuse-reflection sensor, infrared, Ø25mm 100long, Round, Aluminum+Glass

**VK003026**



Cable connector, Angular, Suitable for self-assembly, Screw connection, Ø3-6.5mm, 4A, 240V, -25-90°C, M12 Male (connector) 4pin, IP67, PBT

**VK003028**



Cable connector, Straight, Suitable for self-assembly, Screw connection, Ø3-6.5mm, 4A, 240V, -25-90°C, M12 Male (connector) 4pin, IP67, PBT

**VK003076**



Cable connector, Angular, Suitable for self-assembly, Soldering connection, 4A, 60V, -40-85°C, M8 Male (connector) 3pin, IP67, Brass

**VK003078**



Cable connector, Straight, Suitable for self-assembly, Soldering connection, Ø3.5-5mm, 4A, 60V, -40-85°C, M8 Male (connector) 3pin, IP67, Brass

**LT107205**



fiber optic diffuse-reflection sensor, 1m, head: Ø1.5, Light exit Axial, conductor: Plasticfiber+Plastic, -55-80°C, IP40

**LT207001**



fiber optic diffuse-reflection sensor, 2m, head: Stainless steel 17long M6x0.75, Light exit Axial, conductor: Plasticfiber+Plastic, -55-80°C, IP67

**LS207003**



fiber optic barrier, 2m, head: Stainless steel 16long M2.6 M2.6x0.45 M4x0.7, Light exit Axial, conductor: Plasticfiber+Plastic, -55-80°C, IP67, for attachment optics

You can find further accessories on our homepage

**Installation**

Mounting / installation may only be carried out by a qualified electrician!

**Disposal**

WEEE number according to § 6 para. 3  
ElektroG: 40951076

**Safety warnings**

- / Before initial operation, please make sure to follow all safety instructions that may be provided in the product information.
- / Never use these devices in applications where the safety of a person depends on their functionality.