

OS126120

High performance light barriers • Transmitter unamplified

High-power photoelectric sensor transmitter, M12x1 55long, maximum power (350mW), 6°, connection to amplifier, M12 plug-in connector 3-pin, IP67, stainless steel+plastic

including Nut



Optical sensors function contactlessly. They detect objects independent of their characteristics (e.g., shape, color, surface structure, material). The basic operating principle is based on the transmission and reception of light. There are three different versions: 1. The through-beam sensor consists of two separate devices, a transmitter and a receiver that are aligned with one another. If the light beam between the two devices is interrupted, the switching output integrated in the receiver changes its status. 2. With the retro-reflective sensor, the transmitter and receiver are located in one device. The emitted light beam is reflected back to the receiver by a reflector that is to be mounted opposite the device. As soon as the light beam is interrupted, the switching output integrated in the device changes its status. 3. With the diffuse reflection sensor, the transmitter and receiver are in one device. The emitted light beam is reflected by the object that is to be detected. As soon as the receiver detects the reflected light, the switching output integrated in the device changes its status.

Electrical features

Type of electrical connection	Connector M12
Power	0.35 W
Number of pins	3
Connection to amplifier	Yes

Mechanical features

Design	Cylinder, screw-thread
Thread length	36 mm
Thread pitch	1 mm
Storage temperature	-40 - 80 °C
Length	55 mm
Shock resistance	30 g
Degree of protection (IP)	IP67
Vibration resistance	55 Hz
Active area material of sensor	Plastic
Housing material	Stainless steel
Thread dimension	M12
Ambient temperature	-25 - 60 °C

Optical features

Light source	Infrared light
Light beam form	Point
Transmitting power	Maximum power (350mW)
Wavelength of the sensor	880 nm
Angle of beam spread	6 °

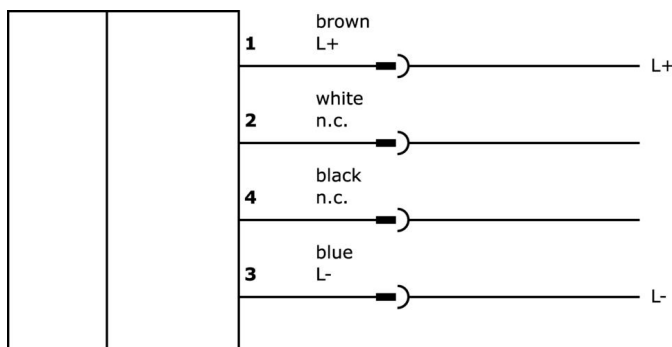
Classification

ETIM 8	EC002716 Through-beam photoelectric sensor
--------	--

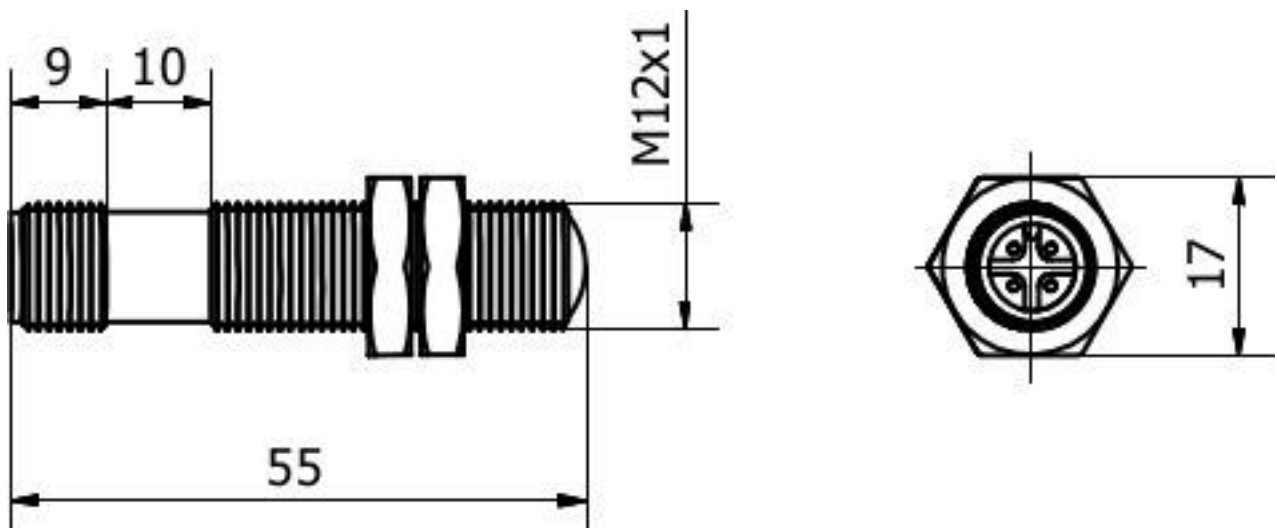
More

IPF Product Group	101 high performance through-beam sensors and amplifiers
packaging dimensions	95 x 75 x 17 mm
gross weight	30 g
Customs tariff number	85365019
WEEE number	40951076
Reach-compliant	Yes
RoHS-compliant	Yes

Connection



Dimensional drawing



Extract accessories program

VK030F60



Connection cable, 0.3m, M12 socket 3-pin angular, M8 connector 3-pin straight, 3x0. 34mm², PUR (polyurethane), 60V, IP67, suitable for trailing chain and torsion resistant, oils and cooling lubricants, welding area, silicone-free

VK030F64



Connection cable, 0.3m, M12 socket 3-pin straight, M8 connector 3-pin straight, 3x0. 34mm², PUR (polyurethane), 60V, IP67, suitable for trailing chain and torsion resistant, oils and cooling lubricants, welding area, silicone-free

AY000162



Accessories, magnetic, Ø43mm, neodymium-iron-boron, inside thread M5, rubber

AY000159



accessories sensor, Mounting pipe, Ø12mm 200long, Aluminum Anodised

AY000115



accessories sensor, Fixture kit, Metal, ball joint

VK030F62



Connection cable, 0.3m, M12 socket 3-pin angular, M8 connector 3-pin straight, 3x0. 34mm², PUR (polyurethane), IP67, LED, suitable for trailing chain and torsion resistant, oils and cooling lubricants, welding area, silicone-free

VK060F62



Connection cable, 0.6m, M12 socket 3-pin angular, M8 connector 3-pin straight, 3x0. 34mm², PUR (polyurethane), IP67, LED, suitable for trailing chain and torsion resistant, oils and cooling lubricants, welding area, silicone-free

VK003021



Cable socket, Angular, Suitable for self-assembly, Screw connection, Ø3-6.5mm, 4A, 60V, -25-90°C, M12 Female (socket) 5pin, IP67, PBT

VK003025



Cable socket, Straight, Suitable for self-assembly, Screw connection, Ø3-6.5mm, 4A, 60V, -25-90°C, M12 Female (socket) 5pin, IP67, PBT

You can find further accessories on our homepage



Installation

Mounting / installation may only be carried out by a qualified electrician!



Disposal

WEEE number according to § 6 para. 3 ElektroG: 40951076

Safety warnings

/ Before initial operation, please make sure to follow all safety instructions that may be provided in the product information.

/ Never use these devices in applications where the safety of a person depends on their functionality.