

OS129023

Optical sensors • Through-beam sensors transmitters

Sensor Optical, through-beam sensor Transmitter, M12x1 66lang, Sn: 40m, 15-30V DC, M12 plug-in connector 3-pin, IP67, nickel-plated (n-pltd) brass, infrared light

including Nut



Electrical features

Type of electrical connection	Connector M12
No-load current	30 mA
No-load current, transmitter	30 mA
Number of pins	3
Switching distance	0 - 40000 mm
Clock frequency of the transmitter	11.7 kHz
Operating voltage (DC)	15 - 30 V
Electrical connection	M12 3-pin plug connector
Operating voltage	15-30VDC
ardTEEL_Schutzfunktionen	Reverse polarity protection

Mechanical features

Design	Cylinder, screw-thread
Thread length	40 mm
Thread pitch	1 mm
Length	66 mm
Shock resistance	30 g
Degree of protection (IP)	IP67
Vibration resistance	55 Hz
Housing material	Nickel-plated brass
Thread dimension	M12
Ambient temperature	-20 - 60 °C
dimensions	M12x1, 66mm long

Optical features

Light source	Infrared light
Light beam form	Point
Wavelength of the sensor	880 nm
Angle of beam spread	6 °

Other features

Features	with test input
----------	-----------------

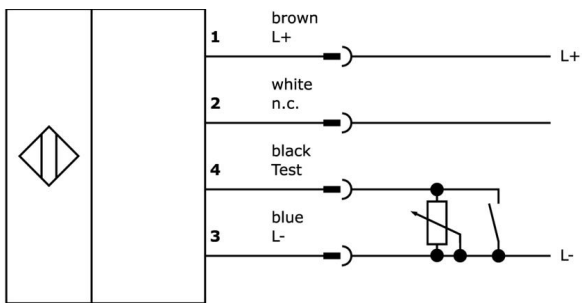
Classification

ETIM 8

More

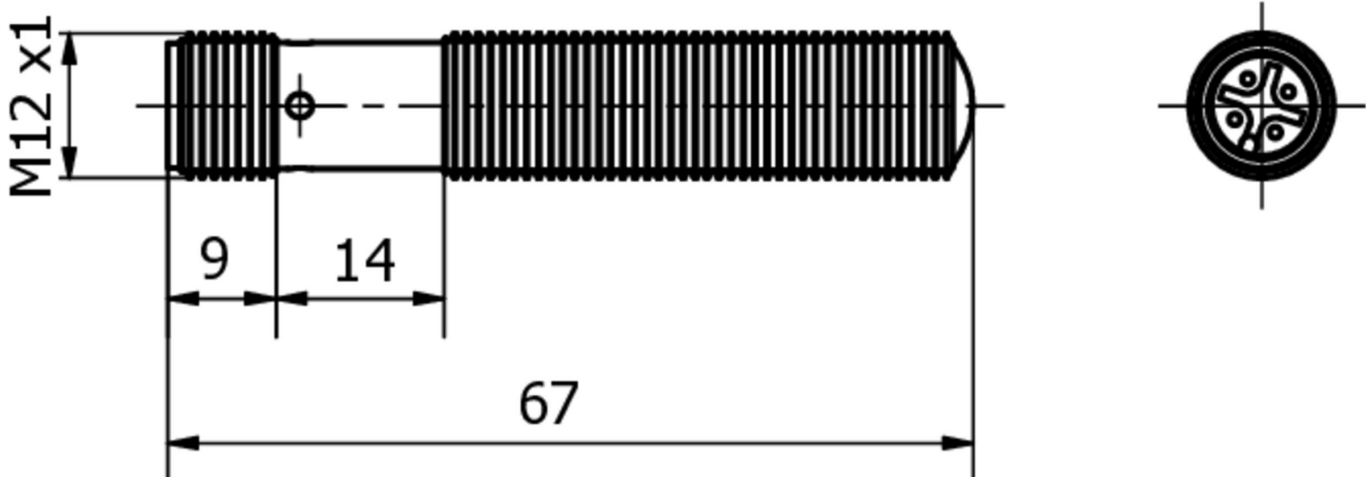
IPF Product Group	101 high performance through-beam sensors and amplifiers
packaging dimensions	123 x 77 x 25 mm
gross weight	
Customs tariff number	85365019
WEEE number	40951076
Reach-compliant	Yes
RoHS-compliant	Yes

Connection



Test input: Transmitter off = 0V Transmitting power adjustable via 10KΩ potentiometer

Dimensional drawing



Extract accessories program

AO000293



accessories optical, Infrared spotfinder, Plastic, With LED display, Signal tone

VK003021



Cable socket, Angular, Suitable for self-assembly, Screw connection, Ø3-6.5mm, 4A, 60V, -25-90°C, M12 Female (socket) 5pin, IP67, PBT

VK003025



Cable socket, Straight, Suitable for self-assembly, Screw connection, Ø3-6.5mm, 4A, 60V, -25-90°C, M12 Female (socket) 5pin, IP67, PBT

VK030F62



Connection cable, 0.3m, M12 socket 3-pin angular, M8 connector 3-pin straight, 3x0.34mm², PUR (polyurethane), IP67, LED, suitable for trailing chain and torsion resistant, oils and cooling lubricants, welding area, silicone-free

VK060F62



Connection cable, 0.6m, M12 socket 3-pin angular, M8 connector 3-pin straight, 3x0.34mm², PUR (polyurethane), IP67, LED, suitable for trailing chain and torsion resistant, oils and cooling lubricants, welding area, silicone-free

VK030F21



Connection cable, 0.3m, M12 socket 4-pin angular, M12 connector 4-pin straight, 4x0.34mm², 240V, IP67, suitable for trailing chain and torsion resistant, oils and cooling lubricants, welding area, silicone-free

VK030F25



Connection cable, 0.3m, M12 socket 4-pin straight, M12 connector 4-pin straight, 4x0.34mm², PUR (polyurethane), 240V, IP67, suitable for trailing chain and torsion resistant, oils and cooling lubricants, welding area, silicone-free

VK030F23



Connection cable, 0.3m, M12 socket 4-pin angular, M12 connector 4-pin straight, 4x0.34mm², PUR (polyurethane), IP67, LED, suitable for trailing chain and torsion resistant, oils and cooling lubricants, welding area, silicone-free

VK030F26



Connection cable, 0.3m, M12 socket 4-pin straight, M12 connector 4-pin straight, 4x0.34mm², PUR (polyurethane), IP67, LED, suitable for trailing chain and torsion resistant, oils and cooling lubricants, welding area, silicone-free

You can find further accessories on our homepage



Installation

Mounting / installation may only be carried out by a qualified electrician!



Disposal

WEEE number according to § 6 para. 3 ElektroG: 40951076

Safety warnings

/ Before initial operation, please make sure to follow all safety instructions that may be provided in the product information.

/ Never use these devices in applications where the safety of a person depends on their functionality.